

TM

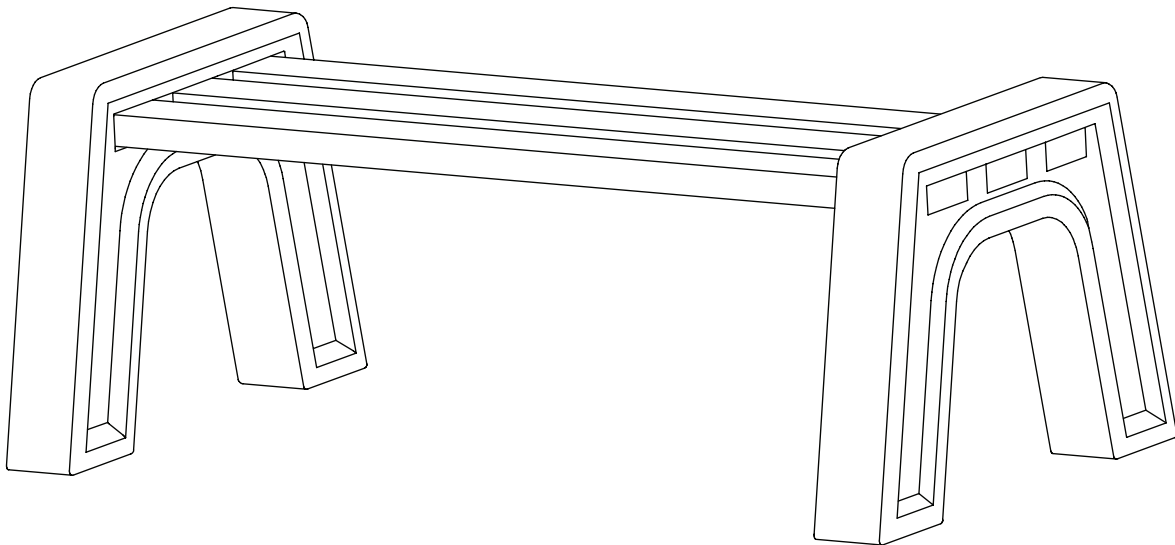
RTS
Home
ACCENTS

Modern Bench Ends Without Backrest Assembly Instructions

Read all instructions before assembly. To watch the video version of these assembly instructions, visit www.rtshomeaccents.com

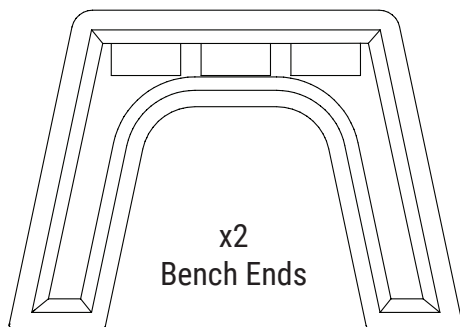
WARNING: RTS Home Accents is not responsible for performance of assembled product and will assume no liabilities.

Questions? Missing Parts? Call us at 1-888-641-3077 (USA),
1-800-663-2803 (Canada) or email us at wecare@rtscompaniesinc.com



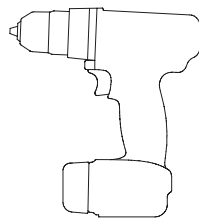
Modern Bench Ends Without Backrest

Included:



x2
Bench Ends

**Required:
(not included)**



Drill



x6
3" long deck screws



x3

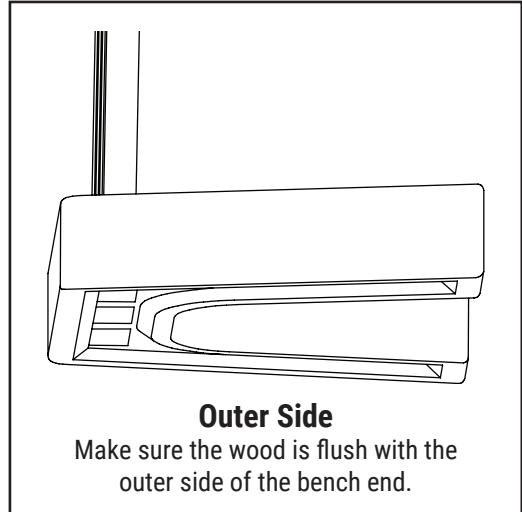
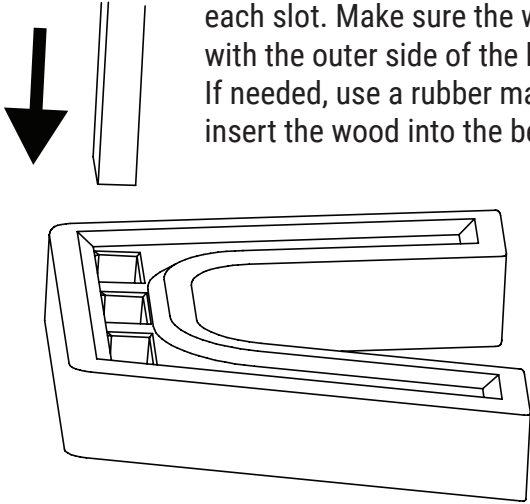
Wooden 2x4s cut to your desired length.

Minimum length recommended is 2 feet.

Maximum length recommended is 6 feet.

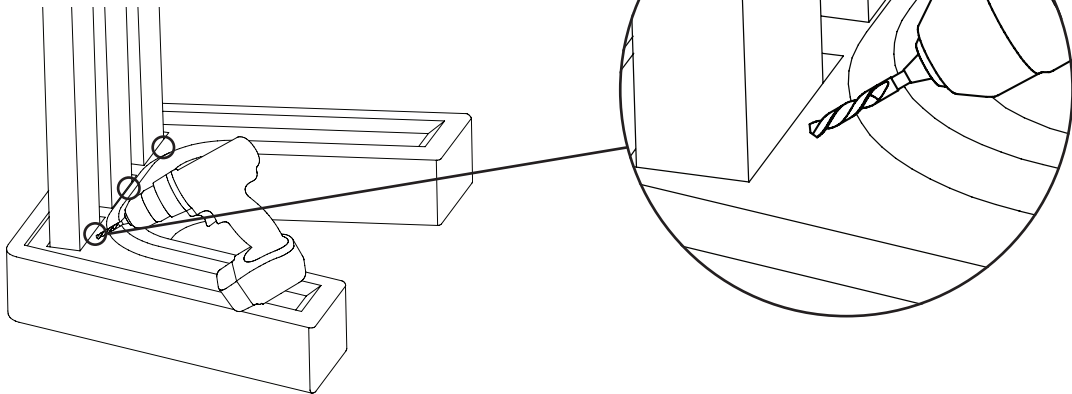
1

Lay one of the bench ends on the ground. Insert a piece of wood into each slot. Make sure the wood is flush with the outer side of the bench end. If needed, use a rubber mallet to help insert the wood into the bench end.



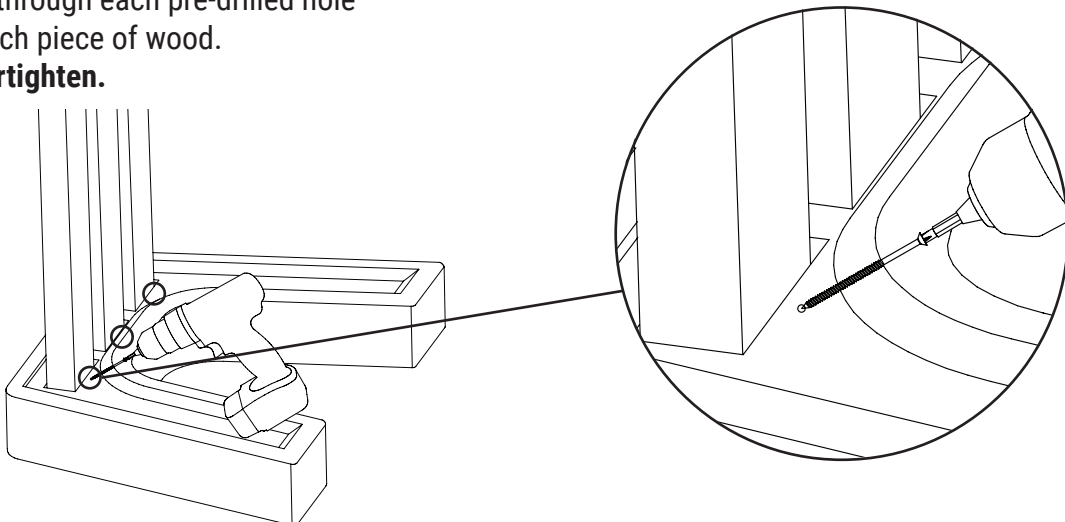
2

Using a drill, pre-drill a hole on an angle, through the inside of the bench end and into each piece of wood.



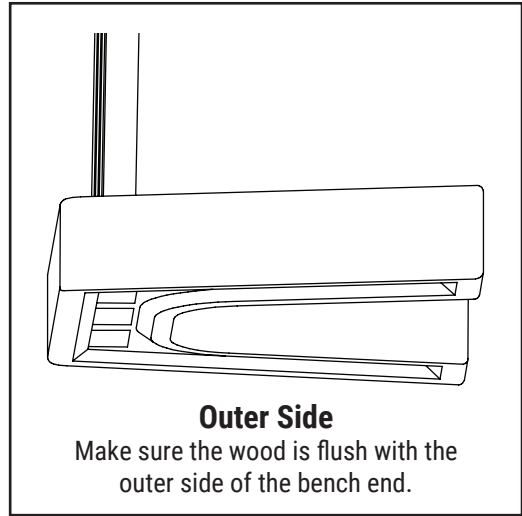
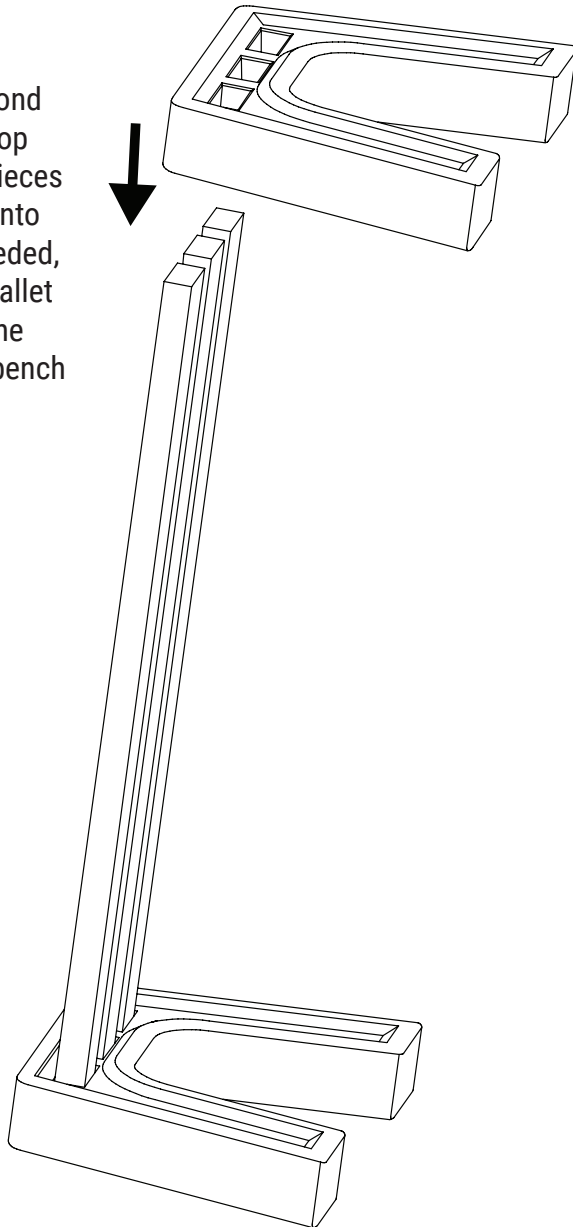
3

Using a drill and 3" long deck screws, drill one screw through each pre-drilled hole and into each piece of wood. **Do not overtighten.**



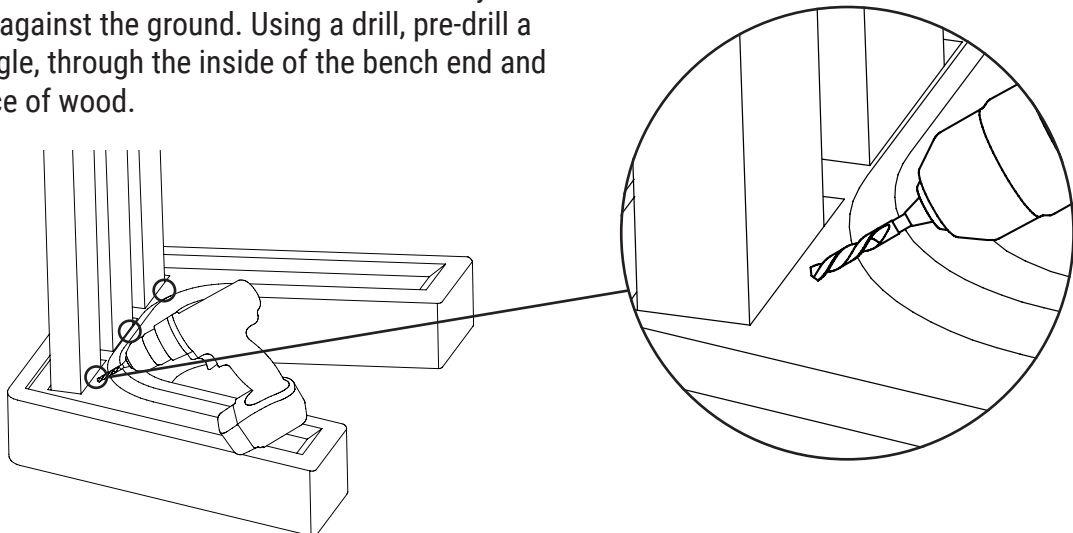
4

Place your second bench end on top and align the pieces of wood to go into the slots. If needed, use a rubber mallet to help insert the wood into the bench end.

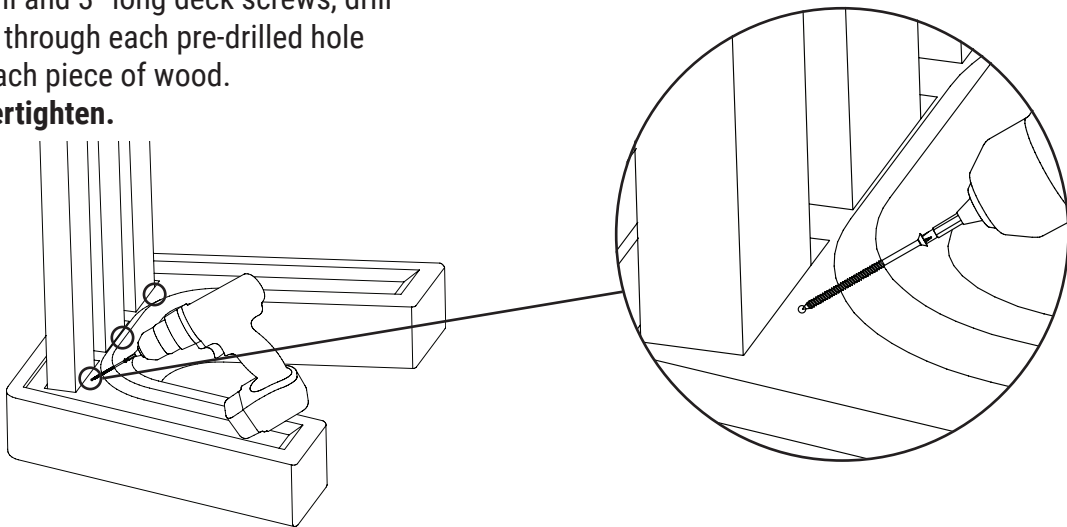


5

Rotate your bench so that the bench end that is not yet screwed in is against the ground. Using a drill, pre-drill a hole on an angle, through the inside of the bench end and into each piece of wood.



- 6** Using a drill and 3" long deck screws, drill one screw through each pre-drilled hole and into each piece of wood.
Do not overtighten.

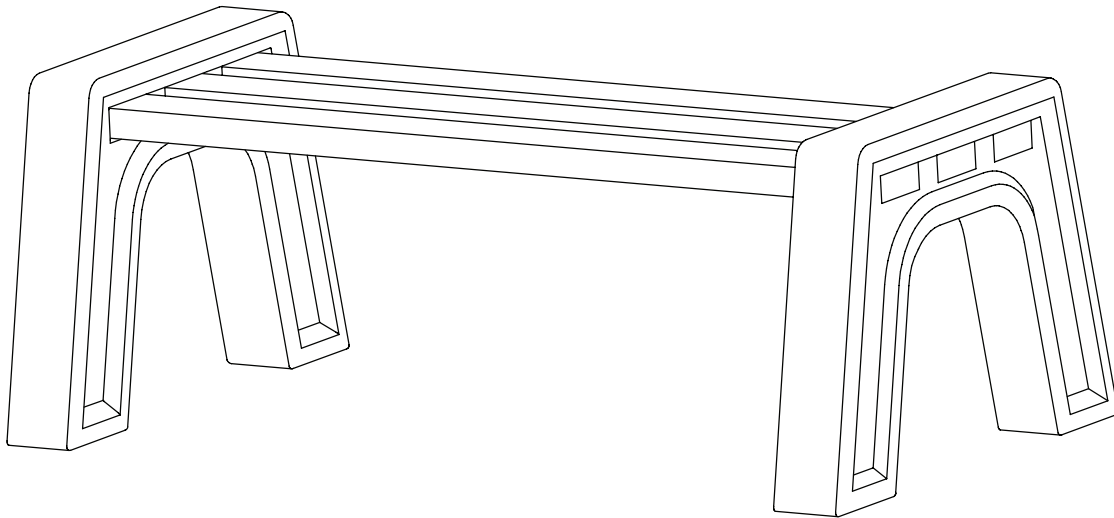


7

Turn your new bench into an upright position and it is now assembled. Place the bench on a flat surface and enjoy!

Caution! Maximum capacity 580 lbs*

*Capacity may vary depending on the condition, type and age of wood used.



**We hope you are happy with your purchase.
Please visit the website you purchased from today to leave a review!**

**View more products in the RTS Home Accents family at
www.rtshomeaccents.com**

Follow us on

