

TM

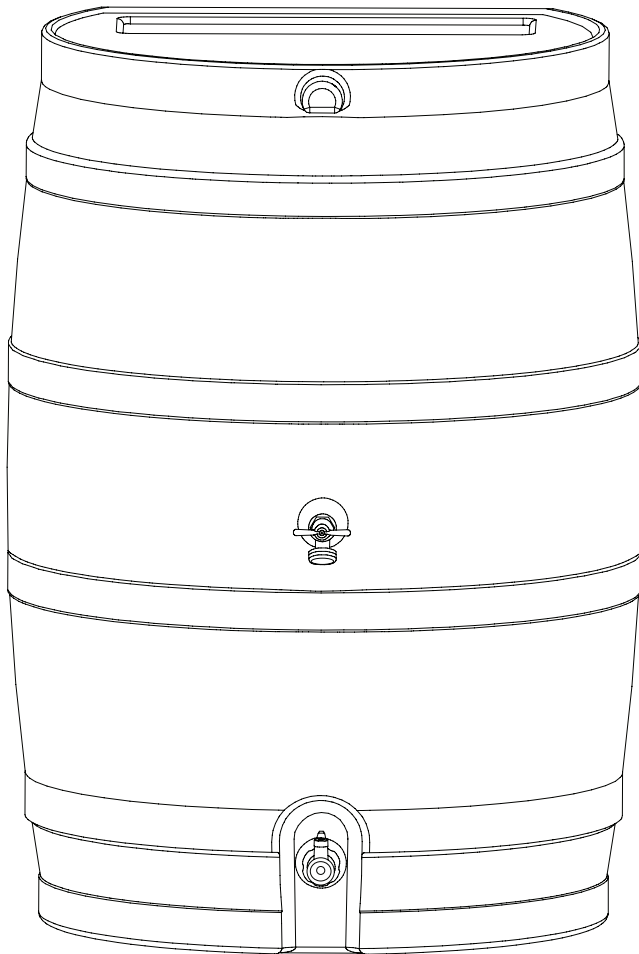
**RTS**  
*Home*  
ACCENTS

# Dual Spigot Rain Barrel and Rainwater Shed Collector Assembly Instructions

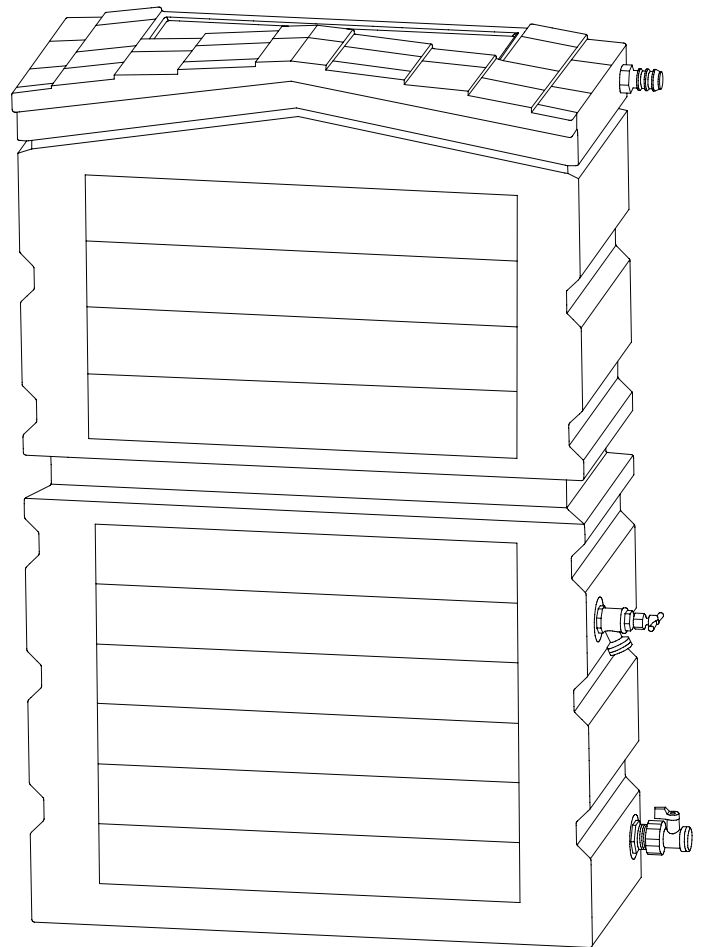
Read all instructions before assembly. To watch the video version of these assembly instructions, visit [www.rtshomeaccents.com](http://www.rtshomeaccents.com)

WARNING: RTS Home Accents is not responsible for performance of assembled product and will assume no liabilities.

Questions? Missing Parts? Call us at 1-888-641-3077 (USA),  
1-800-663-2803 (Canada) or email us at [wecare@rtscompaniesinc.com](mailto:wecare@rtscompaniesinc.com)

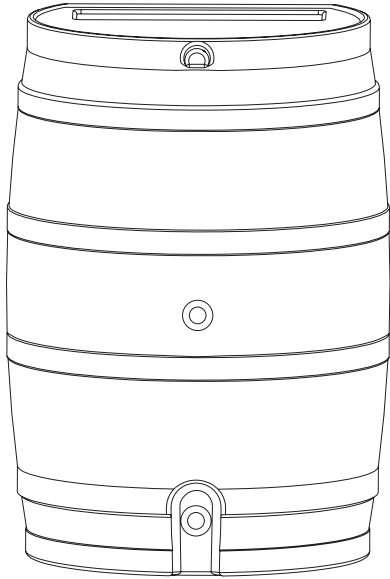


**50 US Gallon Dual Spigot  
Flat Back Rain Barrel**



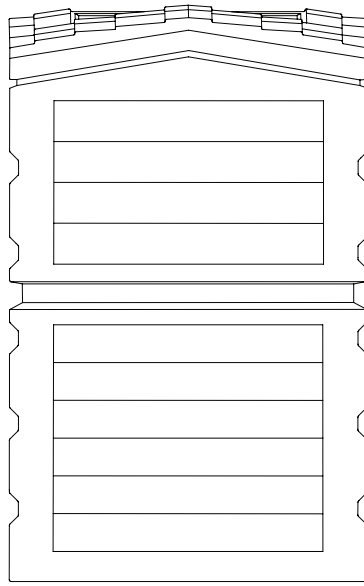
**25 US Gallon Rainwater  
Shed Collector**

**Included:**

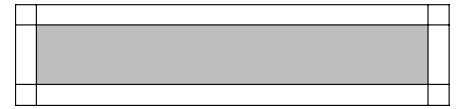


1x 50 US Gallon Flat Back Rain Barrel

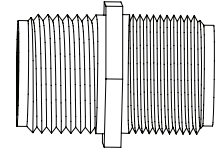
OR



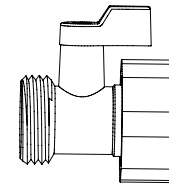
1x 25 US Gallon Rainwater Shed Collector



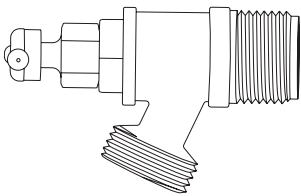
1x Screen



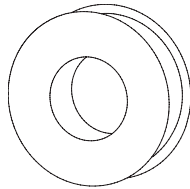
1x Hose Adapter



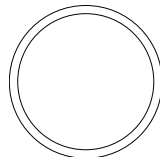
1x Brass Spigot Valve



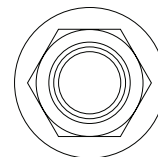
1x Brass Spigot



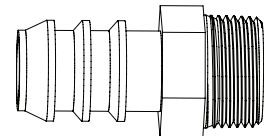
1x Roll of Teflon Tape



1x O-Ring



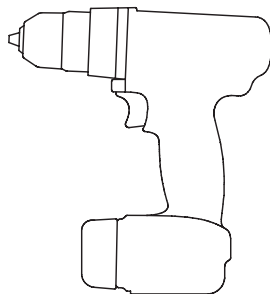
1x Plastic Lock Nut



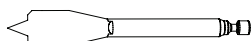
1x Plastic Hose Barb

Note: O-Ring, Plastic Lock Nut and Plastic Hose Barb may be screwed together when received. The Plastic Lock Nut can be unscrewed to separate the three components.

**Required If Connecting Multiple Rain Collectors (Not Included):**

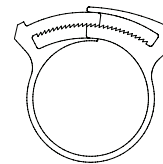


Drill

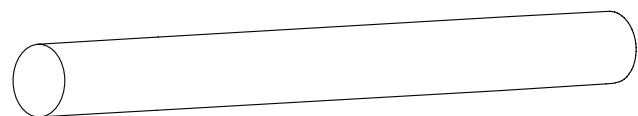


1" spade drill bit

**Link Kit Components Required If Connecting Multiple Rain Collectors (Sold Separately):**



2x Plastic Hose Clamps



1x Clear Linking Tube

## Cleaning Instructions

Your RTS Home Accents rain collector is manufactured of algae resistant material and does not require regular cleaning. If your rain collector does have some algae inside after extended use, pool or chlorine tablets can be added to a full rain collector. Always follow the recommended ratio from the pool or chlorine tablet manufacturer. After soaking for a day or two, drain and then rinse your rain collector before use.

## Winterization Instructions

### WARNING!

If you live in a region where temperatures fall below freezing, you must follow these steps to winterize your RTS Home Accents rain collector. Failure to comply with these winterization instructions may result in a void warranty and a crack in your rain collector.

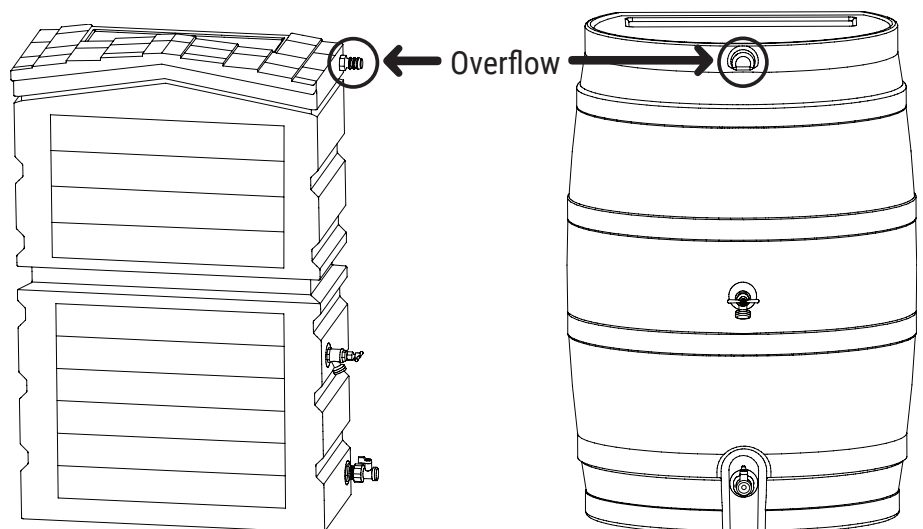
1. Drain out the water from your rain collector and leave both spigots open.
2. Clear debris from the filter screen.
3. Remove your rain collector from the stand and store it upside down inside a garage or shed to prevent water from getting inside. If you are unable to store it inside a garage or shed, your rain collector can be stored upside down outside under a secure tarp.

## Water Use

RTS Home Accents rain collectors are BPA free and made from food grade resin. The water from our rain collectors is ideal for watering vegetable gardens, flower gardens, trees, shrubs, lawns, and for animal drinking. The water from our rain collectors is not suitable for human drinking.

## Overflow

On the front of your rain barrel or on the side of your rainwater shed collector, you will find an overflow near the top. If your rain collector becomes full, excess water will drain through the overflow. Do not block the overflow. The overflow on the rain barrel must be left clear and is not designed to have anything attached to it, including a hose or other device. You can attach a hose to rainwater shed collector overflow hose barb.



## Warranty

RTS Home Accents warrants its products to be free from defects in materials and workmanship under normal use and service for the period of one year. The warranty period begins on the date of invoice. The warranty does not cover defects which are merely cosmetic but is limited to defects which result in structural failure, including structural failure due to material corrosion or deterioration. The warranty applies to the original purchaser of the product and is not assignable or transferable.

The warranty does not cover damage due to vandalism, abuse, lack of maintenance, or improper installation.

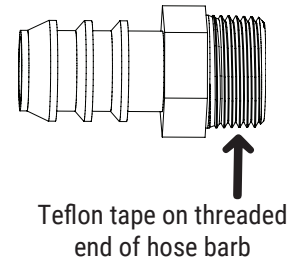
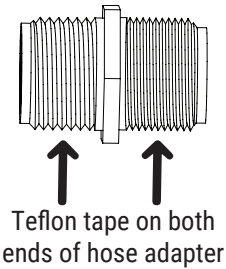
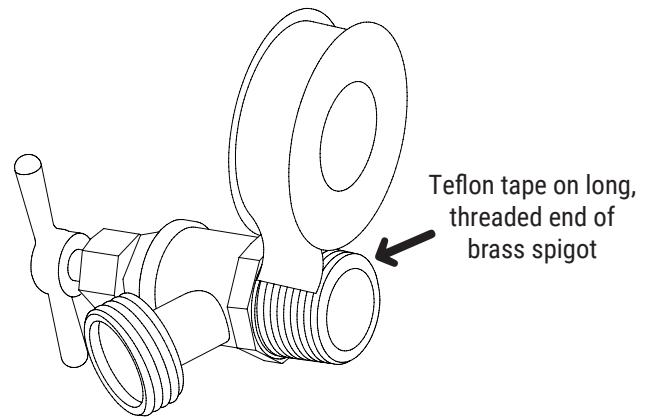
RTS standard terms and conditions apply.

To begin a warranty claim, call us at 1-888-641-3077 (USA), 1-800-663-2803 (Canada) or email us at [wecare@rtscompaniesinc.com](mailto:wecare@rtscompaniesinc.com).

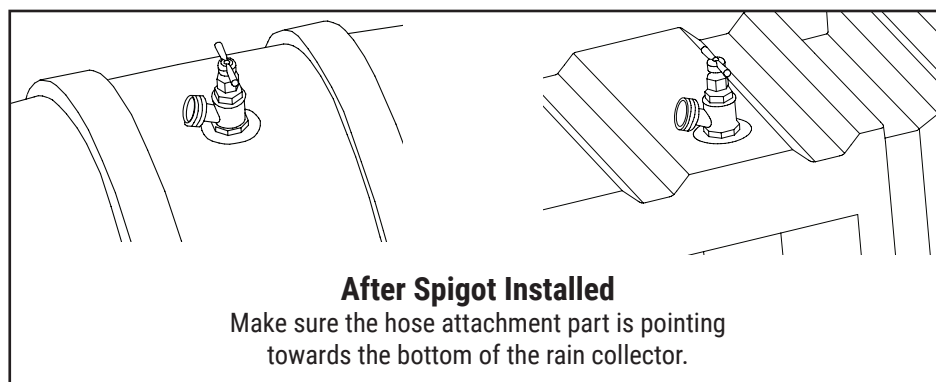
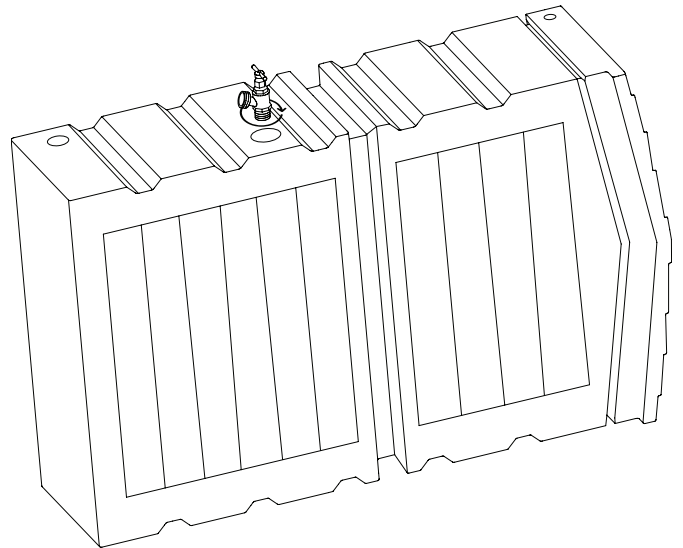
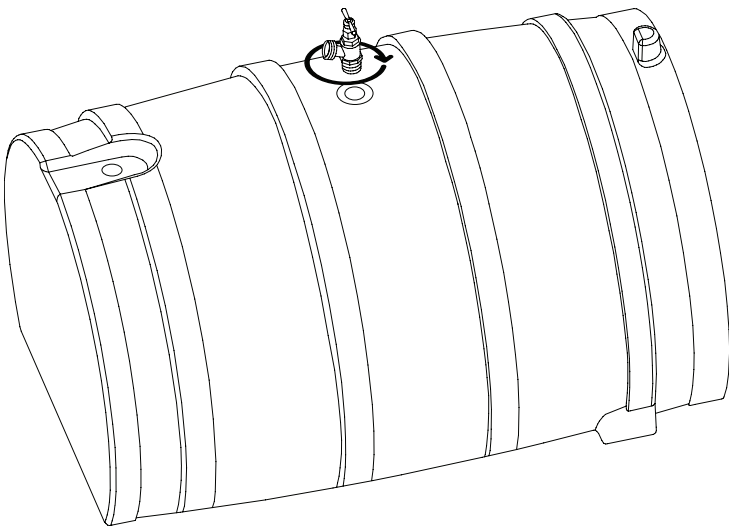
- 1** Hold the brass spigot with the threaded end facing you. Wrap Teflon tape around the long, threaded end of the brass spigot. Wrap the Teflon tape clockwise, in the same direction as the threads, not against the threads. The Teflon tape should be wrapped around the threads three times. Too much Teflon tape can make it difficult to thread.

Wrap Teflon tape around both ends of the hose adapter. If linking multiple rain collectors together, wrap Teflon tape around the threaded end of all hose bars as well.

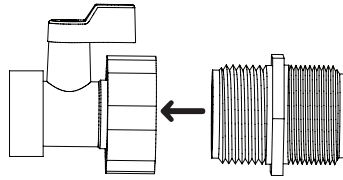
Set the hose adaptor aside until Step 3.  
Set the hose bars aside until Step 7.



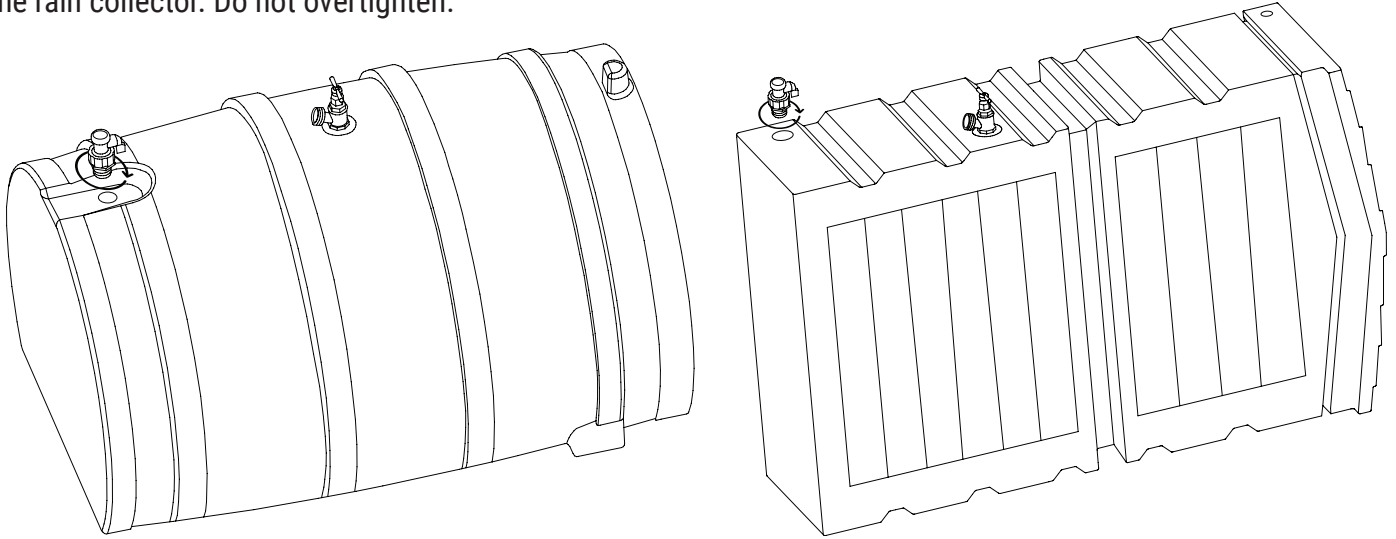
- 2** Lay the rain collector down with the pre-drilled holes towards the sky. Line up the brass spigot and insert the end with Teflon tape into the hole on the middle of the rain collector, turning clockwise. Take care to have the spigot straight when you insert it. Turn the spigot until you feel resistance or the hexagon end meets the rain collector. Do not overtighten.



- 3** Screw the spigot valve onto the Teflon tape wrapped end of the hose adapter with thicker threads, turning clockwise.



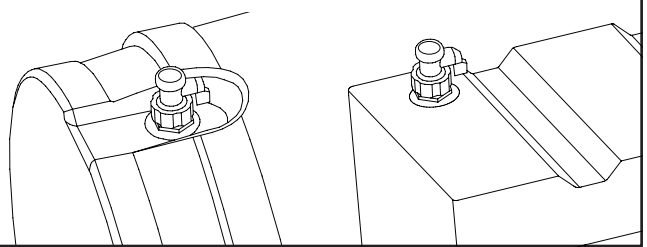
Then, screw the other Teflon tape wrapped end of the hose adapter into the bottom threaded hole on your rain collector, turning clockwise. Take care to have the hose adapter straight when you insert it. Turn the hose adapter until you feel resistance, or the hexagon end meets the rain collector. Do not overtighten.



**After Spigot Valve Installed**

Make sure the black open/close knob is pointing towards the top of the rain collector.

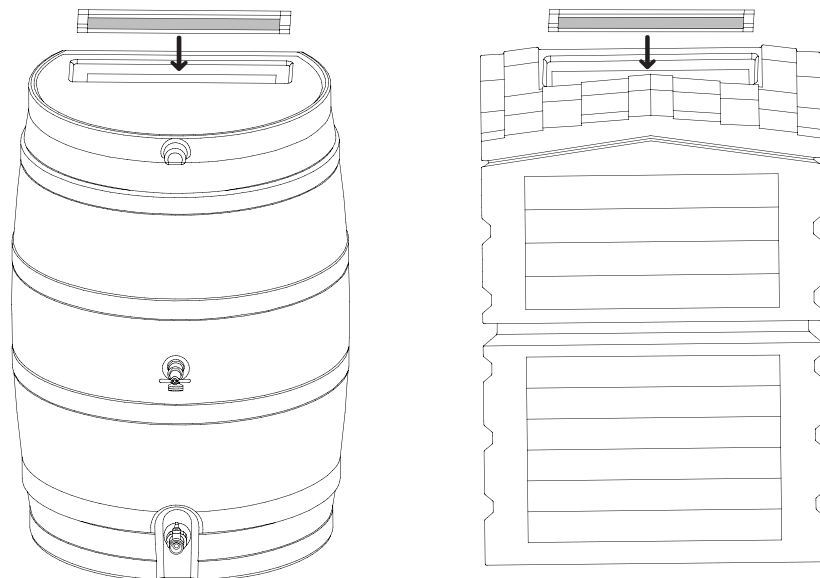
Remove the clear or white protective plastic cap from the spigot valve to expose the threads where you can connect a hose.



- 4** Stand your rain collector upright. Place the screen in the rectangular opening at the top of your rain collector. Make sure the small black rubber barrier on one side of the screen is facing downwards, towards the inside of your rain collector.

**If you are linking multiple 50 US Gallon Dual Spigot Flat Back Rain Barrels together, skip to step 6.**

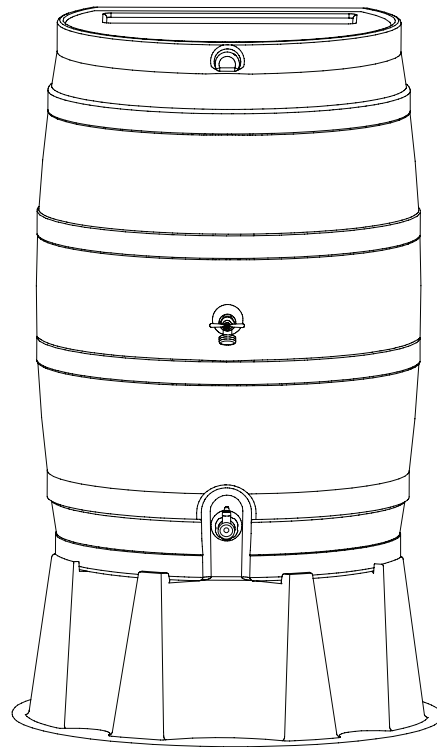
**If you have a 25 US Gallon Rainwater Shed Collector, skip to step 7.**



- 5** Your 50 US Gallon Dual Spigot Flat Back Rain Barrel is now assembled. Place the rain barrel on a flat surface or on a RTS Home Accents Rain Barrel Stand (sold separately). Ensure the downspout is lined up for the water to flow into the screen on the top of your rain barrel.

**If you have are linking multiple 50 US Gallon Flat Back Rain Barrels, follow steps 6 to 9.**

**If you have a 25 US Gallon Rainwater Shed Collector, follow step 7.**



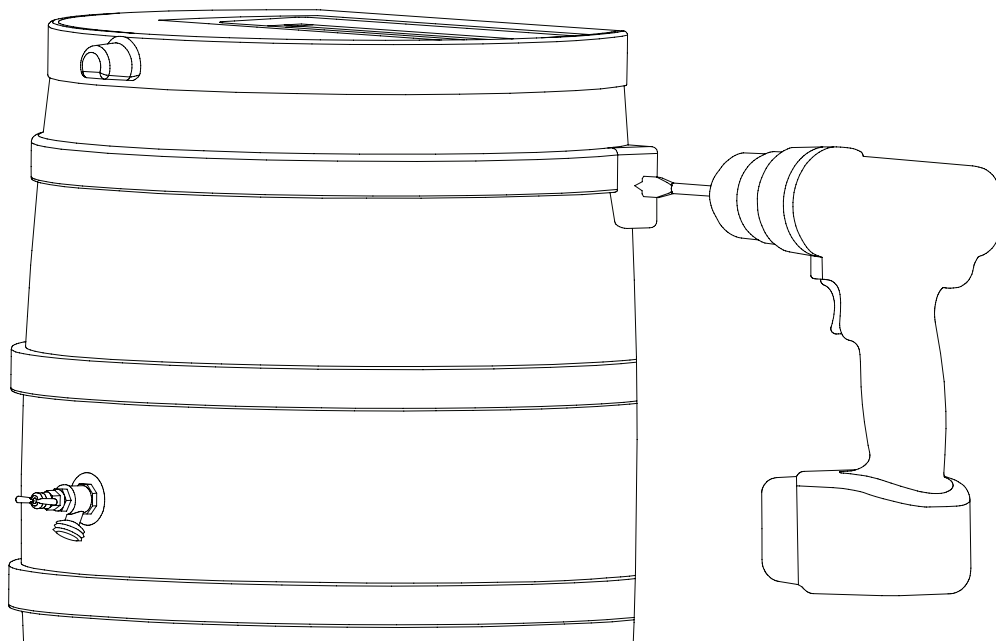
---

**The following steps are only needed if installing a hose barb to link two rain barrels together or for the overflow on your 25 US Gallon Rainwater Shed Collector.**

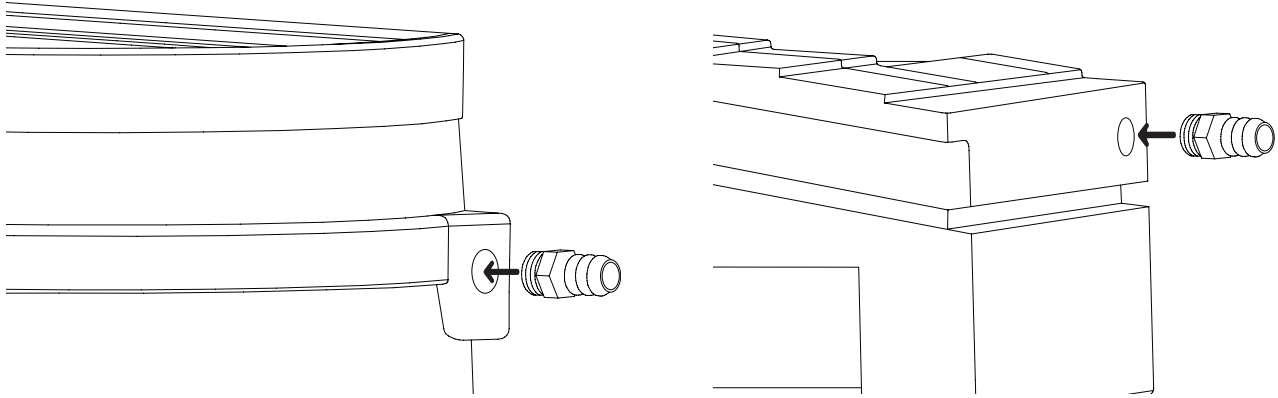
**If you are linking three or more rain barrels together, please contact us for additional hose barbs.**

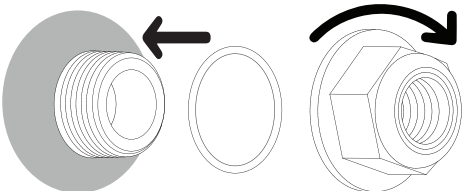
- 6** Using a 1" spade drill bit, drill a hole in the flat area on the left or right side of the rain barrel. The hole location is shown in the image below.

The hole has already been pre-drilled in your 25 US Gallon Rainwater Shed Collector.



**7** Insert the threaded end of the hose barb into the 1" drilled hole.

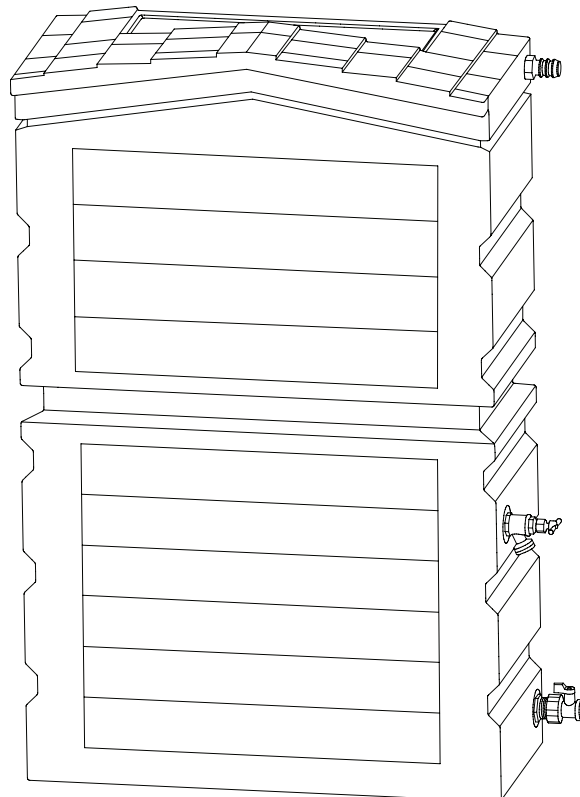




**Inside the rain collector**  
Reach inside the rain collector through the screen opening on the top and place the O-Ring over the hose barb, flush to the inside of the rain collector. Then screw the plastic lock nut onto the hose barb until tight.

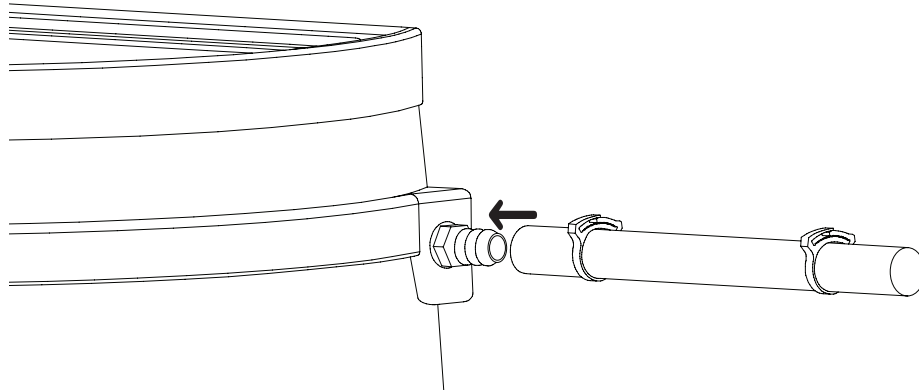
**Follow step 4 to insert your rain collector screen.**

Your new 25 US Gallon Rainwater Shed Collector is now assembled. Place the rain collector on a flat surface. Ensure the downspout is lined up for the water to flow into the screen on the top of your rain collector.

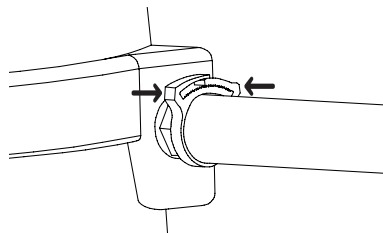


- 8** Once your rain collector screen has been inserted, place both of your rain collectors in the desired locations.  
**Note:** Ensure the space between the rain collectors is no larger than 12" and that the rain collectors are on flat surfaces or on top of RTS Home Accents Rain Barrel Stands (sold separately). The downspout must be lined up for the water to flow into the screen on the top of one of your rain collectors.

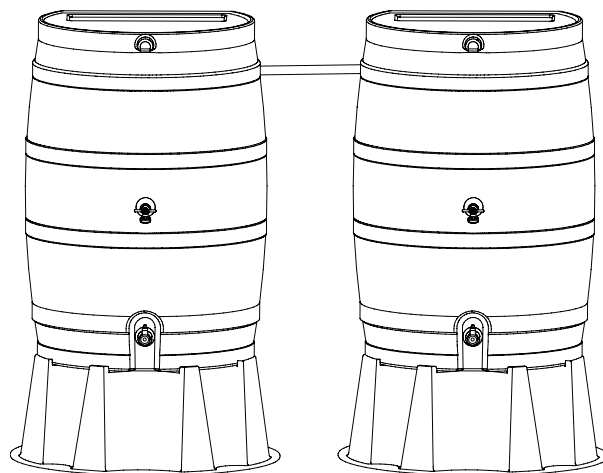
Measure the length of linking hose required and cut the linking hose to the desired length. Slip both hose clips over the linking hose then place the linking hose over each hose barb on the outside of both rain collectors. Push and twist the hose to get it onto the hose barb. It will be a tight fit to prevent leaks.



- 9** Squeeze the hose clamps until tight.



Your two new 50 US Gallon Dual Spigot Flat Back Rain Barrels are now linked together and ready for the first rainfall.



**We hope you are happy with your purchase.**

**Please visit the website you purchased from today to leave a review!**

**View more products in the RTS Home Accents family at  
[www.rtshomeaccents.com](http://www.rtshomeaccents.com)**

**Follow us on**

