

**RTS**  
*Home*  
**ACCENTS**

# Rain Barrel Link Kit Assembly Instructions

Read all instructions before assembly. To watch the video version of these assembly instructions, visit [www.rtshomeaccents.com](http://www.rtshomeaccents.com)

**WARNING:** RTS Home Accents is not responsible for performance of assembled product and will assume no liabilities.

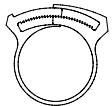
**Questions? Missing Parts? Call us at 1-888-641-3077 (USA), 1-800-663-2803 (Canada) or email us at [wecare@rtscompaniesinc.com](mailto:wecare@rtscompaniesinc.com)**

These assembly instructions are for the 50 US Gallon Flat Back Rain Barrel, the 55 US Gallon Flat Back Rain Barrel with Removable Lid, the 35 US Gallon Round Rain Barrel with Planter and the 25 US Gallon Rainwater Shed Collector.

### Included with link kit:

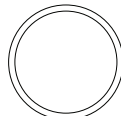


1x Clear Linking Tube

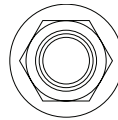


2x Plastic Hose Clamps

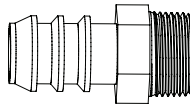
### Included with rain barrel:



1x O-Ring

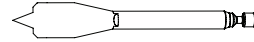


1x Plastic Lock Nut

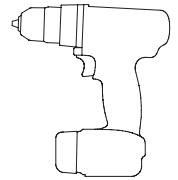


1x Plastic Hose Barb

### Required (Not Included):



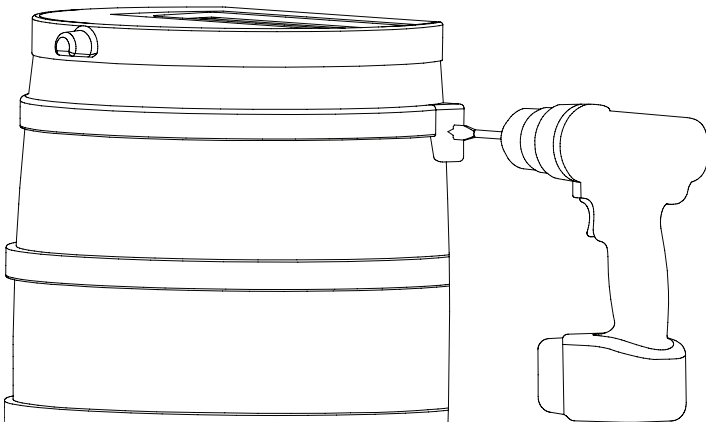
1" spade drill bit



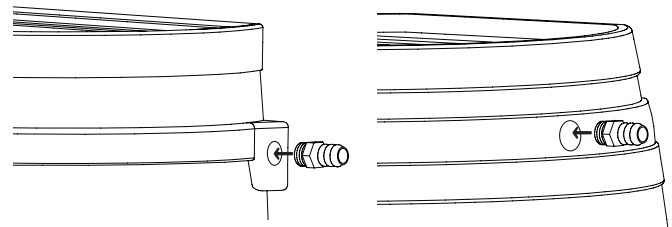
Drill

**1** Using a 1" spade drill bit, drill a hole in the flat area on the left or right side of the rain barrel. The hole location is shown in the image below.

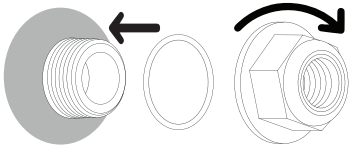
The hole has already been pre-drilled in your 55 US Gallon Premium Flat Back Rain Barrel with Removable Lid.



**2** Insert the threaded end of the hose barb into the 1" drilled hole.

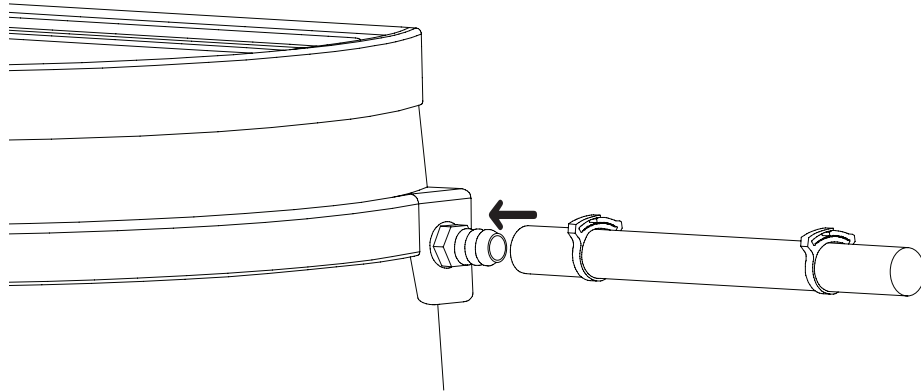


**Inside the rain barrel**  
Reach inside the rain barrel through the screen opening on the top and place the O-Ring over the hose barb, flush to the inside of the rain barrel. Then screw the plastic lock nut onto the hose barb until tight.

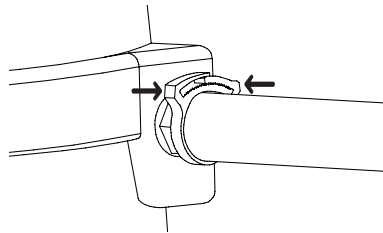


- 3** Once your rain barrel screen has been inserted, place both of your rain barrels in the desired locations.  
**Note:** Ensure the space between the rain barrels is no larger than 12" and that the rain barrels are on flat surfaces or on top of RTS Home Accents Rain Barrel Stands (sold separately). The downspout must be lined up for the water to flow into the screen on the top of one of your rain barrels.

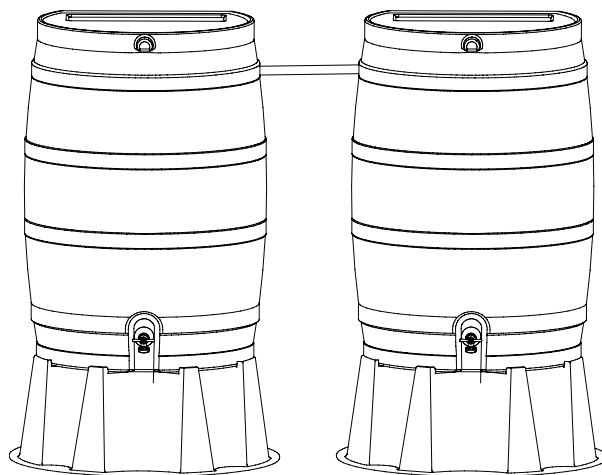
Measure the length of linking hose required and cut the linking hose to the desired length. Slip both hose clips over the linking hose then place the linking hose over each hose barb on the outside of both rain barrels. Push and twist the hose to get it onto the hose barb. It will be a tight fit to prevent leaks.



- 4** Squeeze the hose clamps until tight.



Your two new rain barrels are now linked together and ready for the first rainfall.



**We hope you are happy with your purchase.**

**Please visit the website you purchased from today to leave a review!**

**View more products in the RTS Home Accents family at  
[www.rtshomeaccents.com](http://www.rtshomeaccents.com)**

**Follow us on**

