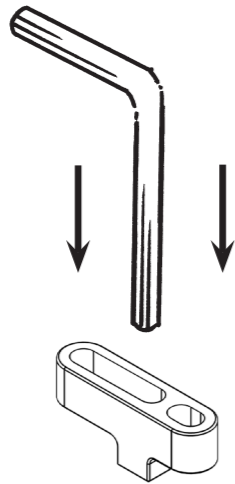


(IT) **Attenzione:** Istruzioni di montaggio per barre in ferro. (GB) **Attention:** Mounting instructions for steel bar carriers. (E) **Atencion:** Instrucciones de montaje para barras portatodo en hierro. (D) **Achtung:** Montageanweisungen für Stahl-Lastenträger. (F) **Attention:** Notices de montage pour barres de portage en acier. (NL) **Attentie:** Handleiding voor dakdragers gemaakt van ijzer. (P) **Atenção:** Instruções de montagem para barras de tejadilho em ferro. (H) Szerelési utasítás acél tartórudakhoz. (PL) **Uwaga:** Instrukcja montażu bagazników wykonanych ze stali. (SLO) **Pozor:** Navodila za montažo nosilcev prtljažnika-železnih. (HR) Uputstvo za montažu željeznih krovnih nosača.

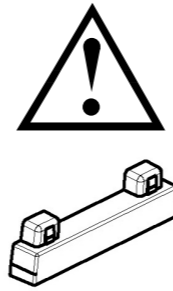
1

(IT) INSERIRE
(GB) INSERT
(E) CUBRIR
(D) EINSCHIEBEN
(F) ENFILER
(P) INSERIR
(NL) BEVESTIG



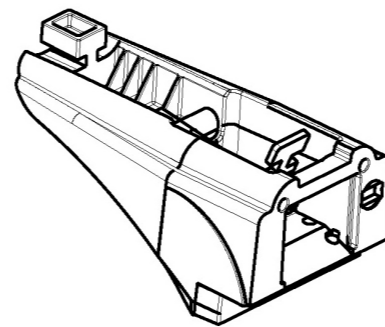
3

(IT) INSERTO
(GB) INSERT
(E) CUNA
(D) DÜBEL
(F) TAMPON
(NL) INVOEGSTUK
(H) BESZŰRÁS
(PL) WKŁADKA
(SLO) VLOŽKA
(HR) UMETAK

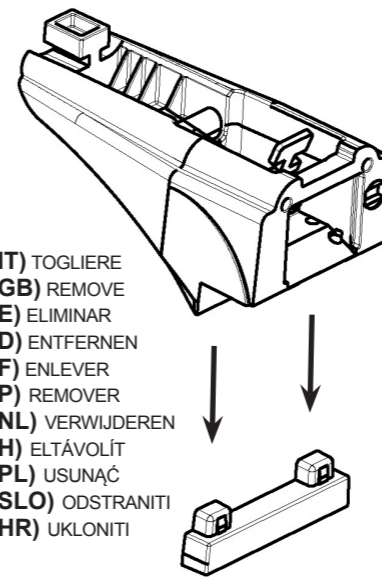


SI/YES/YA/OUI

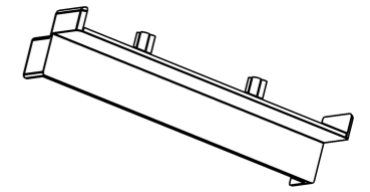
NO/NO/NEIN/NON



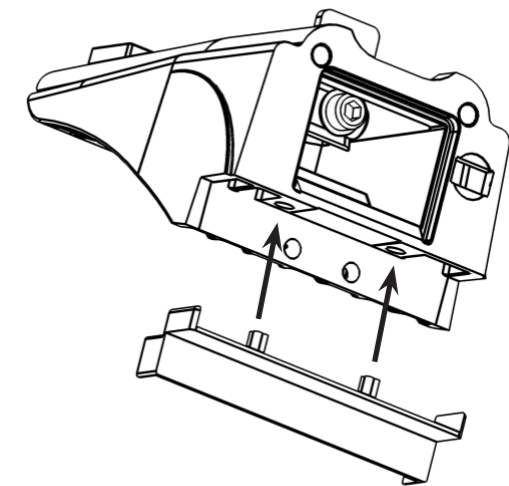
(IT) TOGLIERE
(GB) REMOVE
(E) ELIMINAR
(D) ENTFERNEN
(F) ENLEVER
(P) REMOVER
(NL) VERWIJDEREN
(H) ELTÁVOLÍT
(PL) USUNĄĆ
(SLO) ODSTRANITI
(HR) UKLONITI



4



(IT) INSERIRE
(GB) INSERT
(E) CUBRIR
(D) EINSCHIEBEN
(F) ENFILER
(P) INSERIR
(NL) BEVESTIG
(H) TOLJA FEL
(PL) NAŁOŻIĆ
(SLO) VSTAVITI
(HR) UMETNUTI

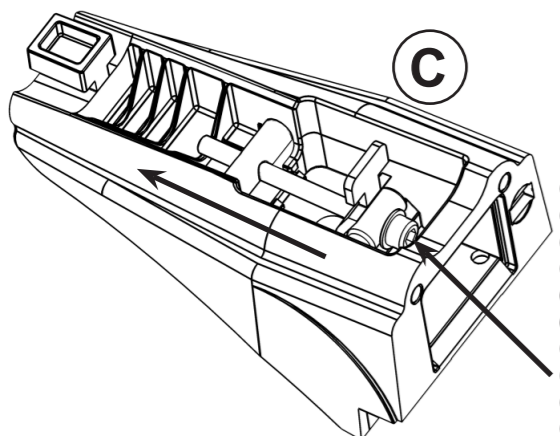
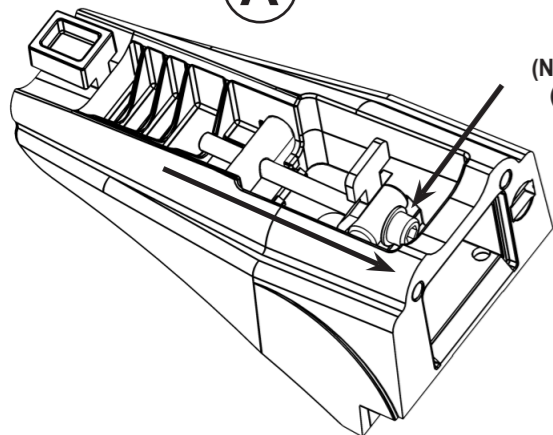
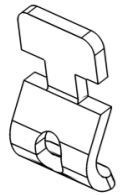


(x4)

2



(IT) VEDERE LA TABELLA APPLICABILITA' ALLEGATA PER LA SCELTA DEL TIRANTE
(GB) SEE THE ATTACHED APPLICATION TABLE FOR THE COUPLER CHOICE
(E) CONSULTE LA TABLA DE APLICABILIDAD ADJUNTA PARA SELECCIONAR LOS TIRANTE APROPRIADO
(D) SIEHE DIE BEILIEGENDE ANWENDUNGSTABELLE UM DEN RICHTIGEN KUPPLER ZU WÄHLEN
(F) VOIR LE TABLEAU D'APPLICATION ATTACHE' AU FIN DE CHOISIR LE TIRANT LE PLUS CORRECT
(NL) KIJK IN DE BIJGEOVOEGDE APPLICATIETABEL VOOR DE JUISTE KEUZE MONTAGEBEUGELS

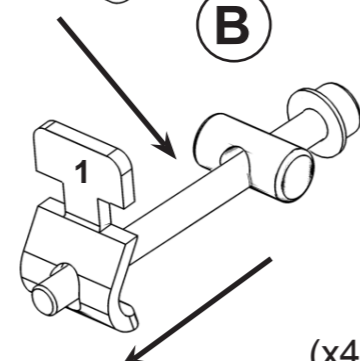


(IT) SVITARE
(GB) UNSCREW
(E) AFLOJAR
(D) ABSCHRAUBEN
(F) DEVISSER
(NL) OPENSCHROEVEN
(P) DESAPARAFUSAR
(H) KICSAVARNI
(PL) WYKRĘCIĆ
(SLO) ODVITI
(HR) ODVITI



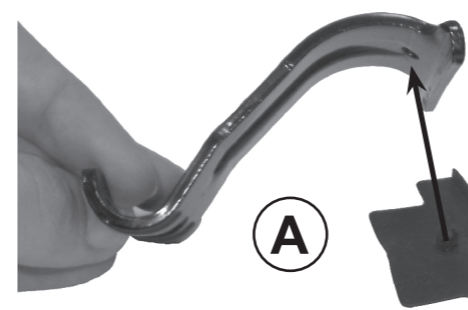
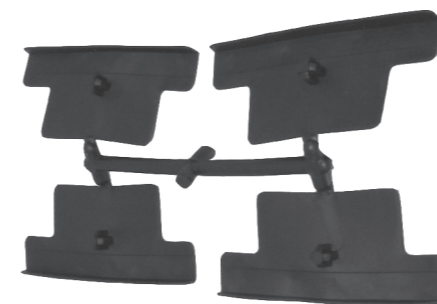
(IT) MONTAGGIO TIRANTE 2
(GB) HOW TO ASSEMBLE COUPLER 2
(E) COMO MONTAR LOS TIRANTE 2
(D) ZUSAMMENBAU DER KOPPLER 2
(F) MONTAGE TIRANT 2
(NL) MONTAGE VAN DE TREKSTANG 2
(H) RÖGZÍTÓ BETÉT SZERELÉSE
(PL) WYMIANA ŁAPKI 2
(SLO) KAKO SESTAVITI SPOJ 2
(HR) UGRADNJA 2 ZAKAČKE

(IT) SOSTITUIRE
(GB) TO REPLACE
(E) APRETAR
(D) ERSETZEN
(F) REMPLACER
(NL) VERVANGEN
(H) CSERÉLJE ÁT 2A ÁBRA SZERINT
(PL) ZAMIENIĆ
(SLO) NAMESTITI NAZAJ
(HR) ZAMIJENITI

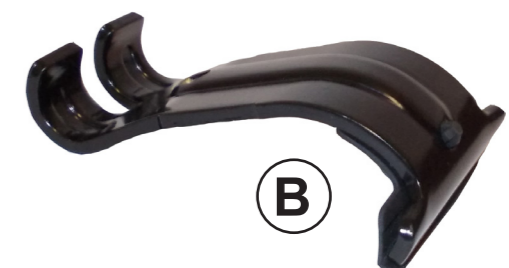


(x4)

5

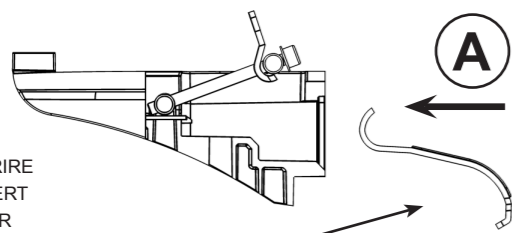


(IT) INSERIRE
(GB) INSERT
(E) CUBRIR
(D) EINSCHIEBEN
(F) ENFILER
(P) INSERIR
(NL) BEVESTIG
(H) TOLJA FEL
(PL) NAŁOŻIĆ
(SLO) VSTAVITI
(HR) PREKRITI

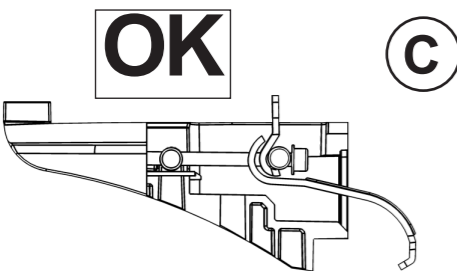
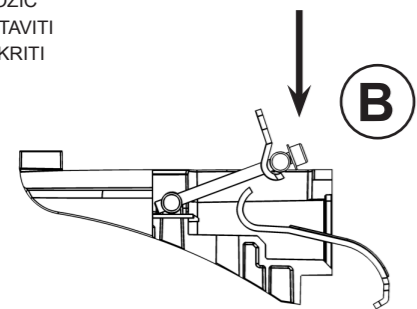


(x4)

6

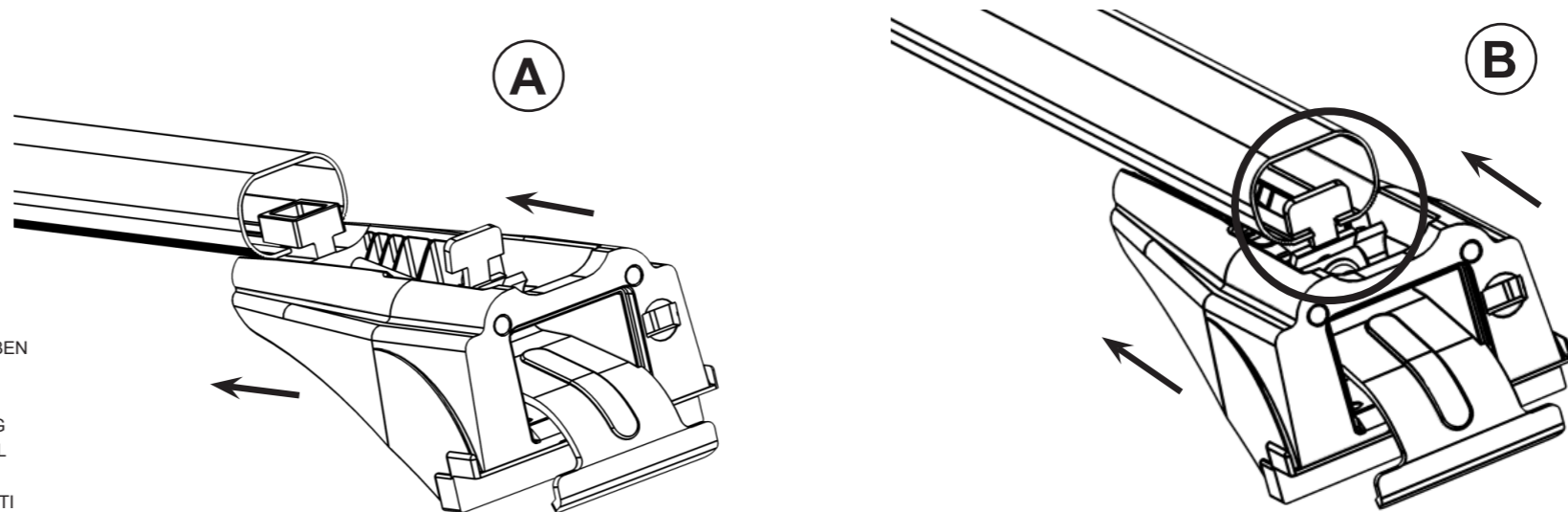


(IT) INSERIRE
(GB) INSERT
(E) CUBRIR
(D) EINSCHIEBEN
(F) ENFILER
(P) INSERIR
(NL) BEVESTIG
(H) TOLJA FEL
(PL) NALOZIC
(SLO) VSTAVITI
(HR) PREKRITI



(x4)

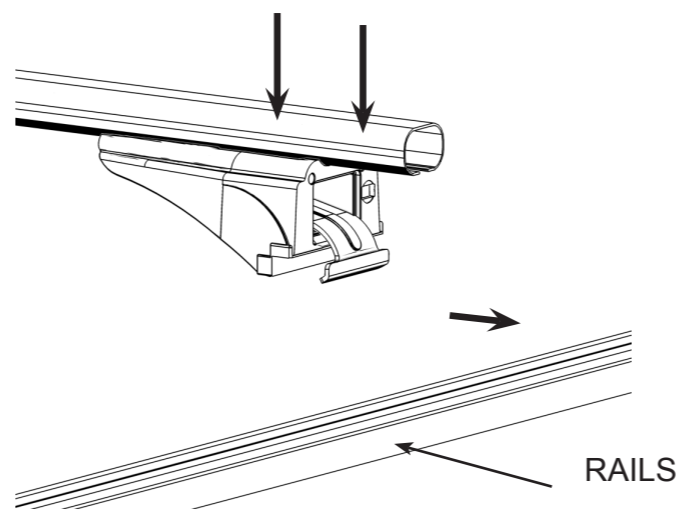
7



(IT) INSERIRE
(GB) INSERT
(E) CUBRIR
(D) EINSCHIEBEN
(F) ENFILER
(P) INSERIR
(NL) BEVESTIG
(H) TOLJA FEL
(PL) NALOZIC
(SLO) VSTAVITI
(HR) PREKRITI

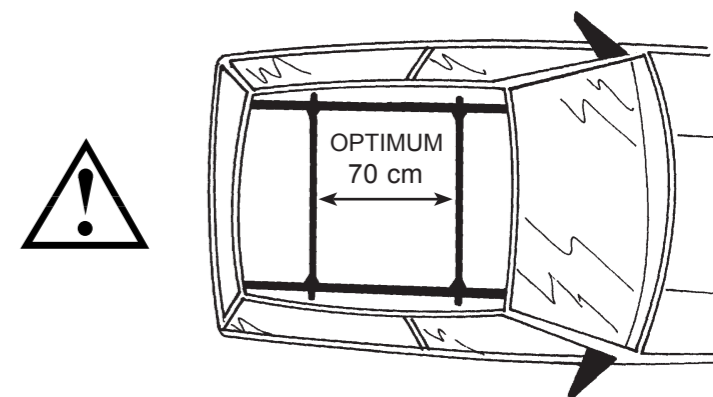
(x4)

8



RAILS

9



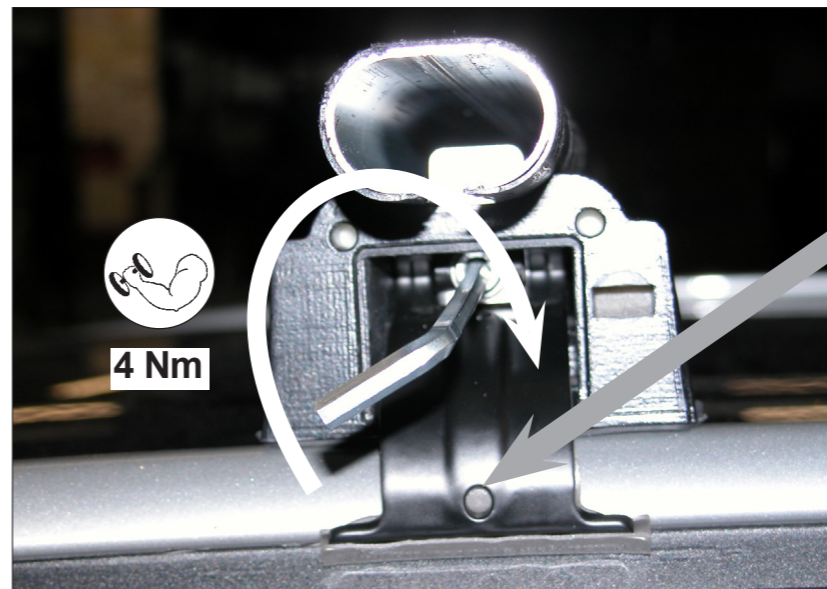
10

(IT) CENTRARE IL P. TUTTO SUL TETTO
(GB) CENTRE THE UNIVERSAL BAR CARRIER ON THE ROOF
(E) CENTRAR EL PORTAEQUIPAJES SOBRE EL TECHO
(D) LASTENTRÄGER AUF DEM DACH ZENTRIEREN
(F) CENTRER LE PORTE-TOUT SUR LE TOIT
(NL) PLAATS DE UNIVERSELE DRAGER IN HET MIDDEN VAN HET DAK
(P) CENTRAR AS BARRAS PORTA BAGAGENS NO TEJADILHO
(H) HELYEZZE KÖZÉPRE A RUDAKAT
(PL) WYSRÓDKOWAC BAGAŻNIK NA DACHU
(SLO) CENTRIRATI PRTLJAŽNIK NA STREHO
(HR) CENTRIRATI NOSAČE NA KROV



11

(IT) AVVITARE
(GB) TO SCREW
(E) APRETAR
(D) FESTSCHRAUBEN
(F) VISSER
(NL) VASTSCHROEVEN
(P) APERTAR
(H) MEGHÚZNI
(PL) WKRECIC
(SLO) PRIVITI
(HR) PRIČVRSTITI



4 Nm

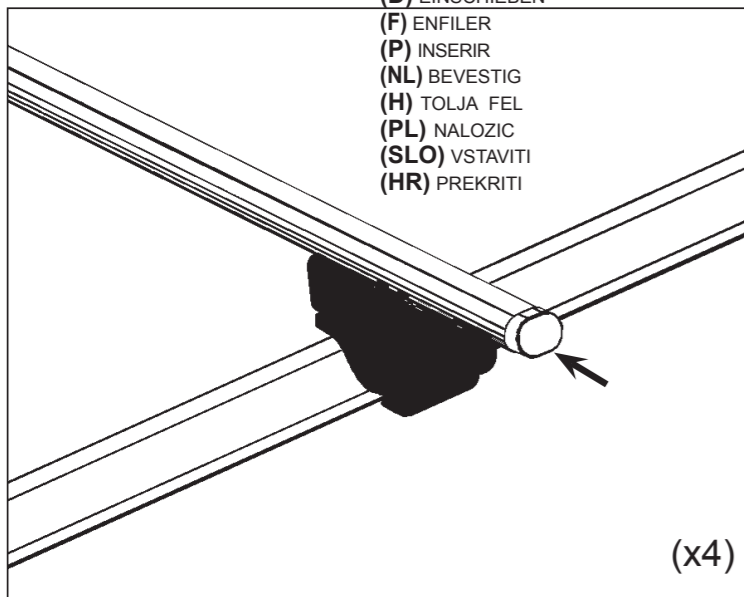
(IT) PREMERE
(GB) TO PUSH
(E) PRESIONAR
(D) DRÜCKEN
(F) APPUYER
(NL) DRUKKEN
(P) PRESSIONAR
(H) MEGNYOMJA
(PL) NACISNAĆ
(SLO) PRITISNETE
(HR) PRITISNUTI

(x4)

15

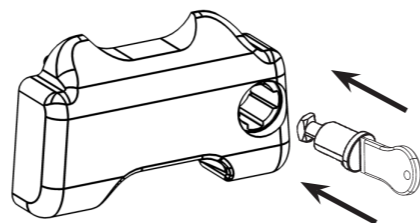
12

- (IT) INSERIRE
- (GB) INSERT
- (E) CUBRIR
- (D) EINSCHIEBEN
- (F) ENFILER
- (P) INSERIR
- (NL) BEVESTIG
- (H) TOLJA FEL
- (PL) NALOZIC
- (SLO) VSTAVITI
- (HR) PREKRITI



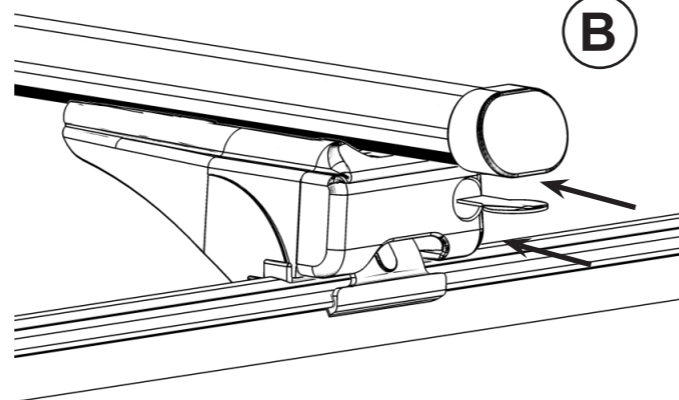
13

A

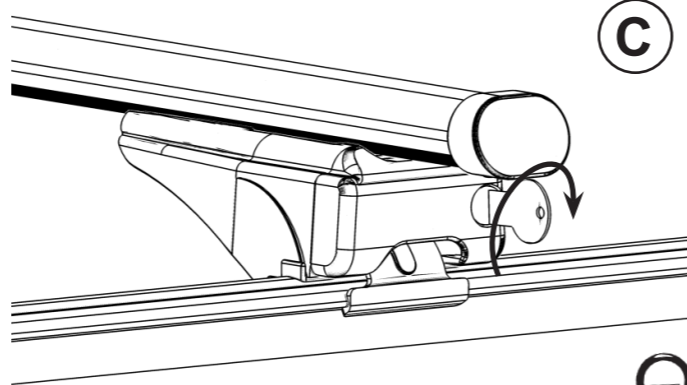


- (IT) INSERIRE
- (GB) INSERT
- (E) CUBRIR
- (D) EINSCHIEBEN
- (F) ENFILER
- (P) INSERIR
- (NL) BEVESTIG
- (H) TOLJA FEL
- (PL) NALOZIC
- (SLO) VSTAVITI
- (HR) PREKRITI

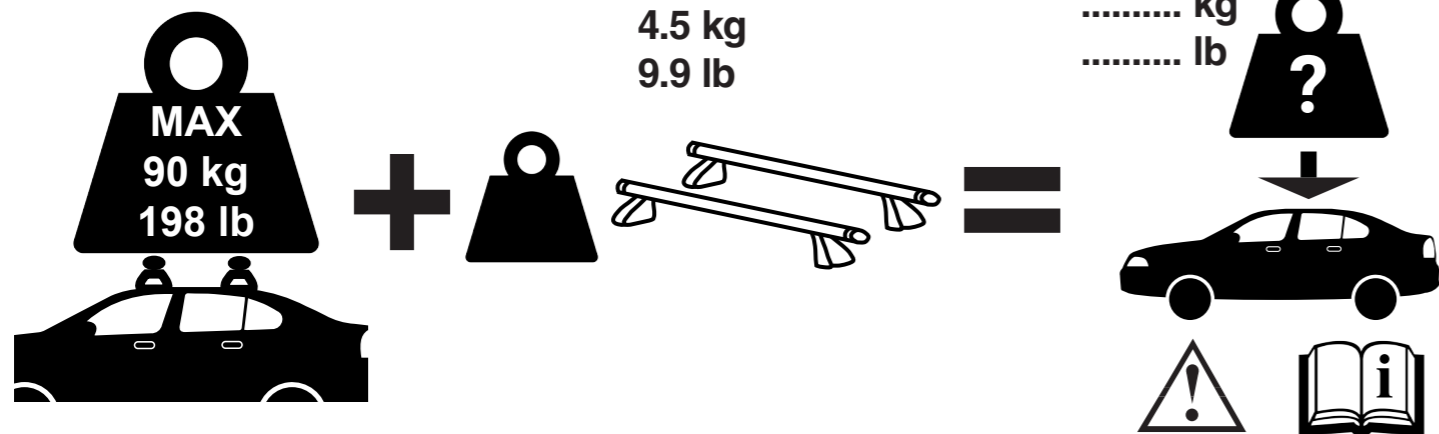
B



C



(x4)



(IT) MODELLO AUTO (GB) CARS (E) COCHES (D) WAGEN (F) VOITURES (NL) AUTO (P) MODELO AUTO (H) AUTO TIPIUS (PL) MODELE SAMOCHODOW (SLO) MODEL AVTOMOBILOV (HR) MODELI AUTA	(IT) INSERTO (GB) INSERT (E) CUNA (D) DUBEL (F) TAMPON (NL) INVOEGSTUK (H) BESZURAS (PL) WKLADKA (SLO) VLOZKA (HR) UMETAK	(IT) TIRANTE (GB) COUPLER (E) TIRANTE (D) KOPPLER (F) TIRANT (NL) TREKSTANG (H) ROZJITO BETET (PL) LAPKA (SLO) SPOJ (HR) ZAKAČKA
ALFA ROMEO 159 SW (06>11) Rail aperti/Open rails/Mit Railing/Railing	SI/YES/YA/OUI	2
AUDI A3 Sportback 5P (04>08) Rail chiusi/Integrated rails/Geschlossener Reling/Railing integrés	SI/YES/YA/OUI	1
AUDI A3 Sportback 5P (08>12) Rail chiusi/Integrated rails/Geschlossener Reling/Railing integrés	SI/YES/YA/OUI	1
AUDI A3 Sportback 5P (12>) Rail chiusi/Integrated rails/Geschlossener Reling/Railing integrés	SI/YES/YA/OUI	1
AUDI A4 Allroad SW (09>16) Rail aperti/Open rails/Mit Railing/Railing	SI/YES/YA/OUI	1
AUDI A4 Allroad SW (16>) Rail aperti/Open rails/Mit Railing/Railing	SI/YES/YA/OUI	1
AUDI A4 Avant SW (08>15) Rail chiusi/Integrated rails/Geschlossener Reling/Railing integrés	SI/YES/YA/OUI	1
AUDI A4 Avant SW (15>) Rail chiusi/Integrated rails/Geschlossener Reling/Railing integrés	SI/YES/YA/OUI	1
AUDI A6 Allroad SW (12>) Rail aperti/Open rails/Mit Railing/Railing	SI/YES/YA/OUI	1
AUDI A6 Avant SW (05>11) Rail chiusi/Integrated rails/Geschlossener Reling/Railing integrés	SI/YES/YA/OUI	1
AUDI A6 Avant SW (11>18) Rail chiusi/Integrated rails/Geschlossener Reling/Railing integrés	SI/YES/YA/OUI	1
AUDI A6 Avant SW (18>) Rail chiusi/Integrated rails/Geschlossener Reling/Railing integrés	SI/YES/YA/OUI	1
AUDI Q3 SUV (11>18) Rail chiusi/Integrated rails/Geschlossener Reling/Railing integrés	SI/YES/YA/OUI	1
AUDI Q3 SUV (18>) Rail chiusi/Integrated rails/Geschlossener Reling/Railing integrés	SI/YES/YA/OUI	1
AUDI Q7 SUV (06>09) Rail chiusi/Integrated rails/Geschlossener Reling/Railing integrés	SI/YES/YA/OUI	1
AUDI Q7 SUV (09>15) Rail chiusi/Integrated rails/Geschlossener Reling/Railing integrés	SI/YES/YA/OUI	1
BMW Serie 2 Active Tourer MPV (14>) Rail chiusi/Integrated rails/Geschlossener Reling/Railing integrés	SI/YES/YA/OUI	1
BMW Serie 2 Gran Tourer MPV (15>) Rail chiusi/Integrated rails/Geschlossener Reling/Railing integrés	SI/YES/YA/OUI	1
BMW Serie 3 Touring SW (10>12) Rail chiusi/Integrated rails/Geschlossener Reling/Railing integrés	SI/YES/YA/OUI	1
BMW Serie 3 Touring SW (12>19) Rail chiusi/Integrated rails/Geschlossener Reling/Railing integrés	SI/YES/YA/OUI	1
BMW Serie 5 Touring SW (10>17) Rail chiusi/Integrated rails/Geschlossener Reling/Railing integrés	SI/YES/YA/OUI	1
BMW X1 SUV (09>15) Rail chiusi/Integrated rails/Geschlossener Reling/Railing integrés	SI/YES/YA/OUI	1
BMW X1 SUV (15>) Rail chiusi/Integrated rails/Geschlossener Reling/Railing integrés	SI/YES/YA/OUI	1
BMW X3 SUV (10>17) Rail chiusi/Integrated rails/Geschlossener Reling/Railing integrés	SI/YES/YA/OUI	1
BMW X5 SUV (07>13) Rail chiusi/Integrated rails/Geschlossener Reling/Railing integrés	SI/YES/YA/OUI	1
CADILLAC SRX SUV (10>) Rail aperti/Open rails/Mit Railing/Railing	SI/YES/YA/OUI	2
CHEVROLET / DAEWOO Captiva SUV (06>15) Rail aperti/Open rails/Mit Reling/Railing	SI/YES/YA/OUI	2
CHEVROLET / DAEWOO Cruze SW (08>16) Rail aperti/Open rails/Mit Reling/Railing	NO/NO/NEIN/NON	1
CITROËN C3 Picasso MPV (09>) Rail aperti/Open rails/Mit Reling/Railing	SI/YES/YA/OUI	1
CITROËN C4 Aircross SUV (12>) Rail chiusi/Integrated rails/Geschlossener Reling/Railing integrés	SI/YES/YA/OUI	2
CITROËN C5 II Tourer SW (08>) Rail aperti/Open rails/Mit Reling/Railing	NO/NO/NEIN/NON	1
DR DR 5 SUV (07>18) Rail aperti/Open rails/Mit Reling/Railing	SI/YES/YA/OUI	2
FIAT 500X SUV (15>) Rail chiusi/Integrated rails/Geschlossener Reling/Railing integrés	NO/NO/NEIN/NON	1
FIAT Panda II 5P (03>12) Rail aperti/Open rails/Mit Reling/Railing	NO/NO/NEIN/NON	2
FIAT Panda III 5P (12>) Rail chiusi/Integrated rails/Geschlossener Reling/Railing integrés	SI/YES/YA/OUI	2
FIAT Panda III Cross 5P (14>) Rail aperti/Open rails/Mit Reling/Railing	SI/YES/YA/OUI	2
FIAT Edge SUV (16>) Rail chiusi/Integrated rails/Geschlossener Reling/Railing integrés	SI/YES/YA/OUI	2
FORD Focus III SW (11>18) Rail chiusi (no rail in plastica)/Integrated rails (no plastic rails)/Geschlossener Reling/Railing integrés (ne pas de rails en matière plastique)	SI/YES/YA/OUI	1
FORD Focus IV SW (18>) Rail chiusi/Integrated rails/Geschlossener Reling/Railing integrés	SI/YES/YA/OUI	1
FORD Focus IV Active 5P (19>) Rail chiusi/Integrated rails/Geschlossener Reling/Railing integrés	NO/NO/NEIN/NON	1
HONDA Civic IX Tourer SW (13>17) Rail chiusi/Integrated rails/Geschlossener Reling/Railing integrés	SI/YES/YA/OUI	1
HYUNDAI ix35 SUV (10>15) Rail chiusi/Integrated rails/Geschlossener Reling/Railing integrés	SI/YES/YA/OUI	2
HYUNDAI Kona SUV (17>) Rail chiusi/Integrated rails/Geschlossener Reling/Railing integrés	SI/YES/YA/OUI	2
HYUNDAI Tucson III SUV (15>18) Rail chiusi/Integrated rails/Geschlossener Reling/Railing integrés	SI/YES/YA/OUI	2
KIA Carens MPV (13>18) Rail chiusi/Integrated rails/Geschlossener Reling/Railing integrés	SI/YES/YA/OUI	2
KIA Cee'd Sporty Wagon SW (12>18) Rail chiusi/Integrated rails/Geschlossener Reling/Railing integrés	SI/YES/YA/OUI	2
KIA Niro SUV (16>) Rail chiusi/Integrated rails/Geschlossener Reling/Railing integrés	SI/YES/YA/OUI	2
KIA Sportage III SUV (10>15) Rail chiusi/Integrated rails/Geschlossener Reling/Railing integrés	SI/YES/YA/OUI	2
KIA Sportage IV SUV (16>) Rail chiusi/Integrated rails/Geschlossener Reling/Railing integrés	SI/YES/YA/OUI	2
MERCEDES Classe C SW (07>14) Rail aperti/Open rails/Mit Reling/Railing	SI/YES/YA/OUI	1
MERCEDES Classe E SW (09>16) Rail aperti/Open rails/Mit Reling/Railing	SI/YES/YA/OUI	1
MERCEDES GLA SUV (13>) Rail chiusi/Integrated rails/Geschlossener Reling/Railing integrés	SI/YES/YA/OUI	1
MERCEDES GLC SUV (15>) Rail chiusi/Integrated rails/Geschlossener Reling/Railing integrés	SI/YES/YA/OUI	1
MINI Countryman 5P (10>16) Rail chiusi/Integrated rails/Geschlossener Reling/Railing integrés	SI/YES/YA/OUI	1
MINI Countryman 5P (17>) Rail aperti/Open rails/Mit Reling/Railing	SI/YES/YA/OUI	1
MITSUBISHI ASX SUV (10>) Rail chiusi/Integrated rails/Geschlossener Reling/Railing integrés	SI/YES/YA/OUI	2
MITSUBISHI Outlander III SUV (12>) Rail chiusi/Integrated rails/Geschlossener Reling/Railing integrés	SI/YES/YA/OUI	2
NISSAN Qashqai II SUV (13>) Rail aperti/Open rails/Mit Reling/Railing	SI/YES/YA/OUI	1
NISSAN X-Trail III SUV (14>) Rail aperti/Open rails/Mit Reling/Railing	SI/YES/YA/OUI	1
OPEL Astra H SW (04>10) Rail chiusi/Integrated rails/Geschlossener Reling/Railing integrés	SI/YES/YA/OUI	1
OPEL Astra J Sport Tourer SW (11>15) Rail chiusi/Integrated rails/Geschlossener Reling/Railing integrés	SI/YES/YA/OUI	1
OPEL Insignia Sports Tourer SW (09>17) Rail chiusi/Integrated rails/Geschlossener Reling/Railing integrés	SI/YES/YA/OUI	1
OPEL Mokka SUV (12>16) Rail chiusi/Integrated rails/Geschlossener Reling/Railing integrés	SI/YES/YA/OUI	1
OPEL Mokka X SUV (16>19) Rail chiusi/Integrated rails/Geschlossener Reling/Railing integrés	SI/YES/YA/OUI	1
OPEL Vectra C SW (03>05) Rail chiusi/Integrated rails/Geschlossener Reling/Railing integrés	SI/YES/YA/OUI	1
OPEL Vectra C SW (06>08) Rail chiusi/Integrated rails/Geschlossener Reling/Railing integrés	SI/YES/YA/OUI	1
OPEL Zafira C MPV (11>) Rail chiusi/Integrated rails/Geschlossener Reling/Railing integrés	SI/YES/YA/OUI	1
PEUGEOT 508 I SW (11>18) Rail chiusi/Integrated rails/Geschlossener Reling/Railing integrés	SI/YES/YA/OUI	2
PEUGEOT 3008 II MPV (16>) Rail chiusi/Integrated rails/Geschlossener Reling/Railing integrés	SI/YES/YA/OUI	2
PEUGEOT 308 II SW (14>) Rail chiusi/Integrated rails/Geschlossener Reling/Railing integrés	SI/YES/YA/OUI	1
PEUGEOT 508 II MPV (17>) Rail chiusi/Integrated rails/Geschlossener Reling/Railing integrés	SI/YES/YA/OUI	2
RENAULT Grand Scenic IV MPV (16>) 7 posti/rail chiusi/7 seats/integrated rails/7 Sitzer/geschlossener Reling/7 places/railing integrés	NO/NO/NEIN/NON	1
RENAULT Kadjar SUV (15>) Rail chiusi/Integrated rails/Geschlossener Reling/Railing integrés	SI/YES/YA/OUI	1
RENAULT Koleos II SUV (17>) Rail chiusi/Integrated rails/Geschlossener Reling/Railing integrés	SI/YES/YA/OUI	1
RENAULT Megane III Sportour / Grandtour SW (09>16) Rail aperti/Open rails/Mit Reling/Railing	SI/YES/YA/OUI	2

(IT) MODELLI AUTO (GB) CARS (E) COCHES (D) WAGEN (F) VOITURES (NL) AUTO (P) MODELO AUTO (H) AUTO TIPUS (PL) MODELE SAMOCHODÓW (SLO) MODELI AVTOMOBILOV (HR) MODELI AUTA	(IT) INSERTO (GB) INSERT (E) CUNA (D) DUBEL (F) TAMPON (NL) INVOEGSTUK (H) BESZURÁS (PL) WKŁADKA (SLO) VLOZKA (HR) UMETAK	(IT) TIRANTE (GB) COUPLER (E) TIRANTE (D) KOPPLER (F) TIRANT (NL) TREKSTANG (H) RÖGZÍTŐ BETÉT (PL) ŁAPKA (SLO) SPOJ (HR) ZAKAČKA
RENAULT Megane IV Sporter SW (16>) Rail chiusi/Integrated rails/Geschlossener Reling/Railing intégrés	NO/NO/NEIN/NON	1
RENAULT Talisman Sporter SW (16>) Rail chiusi/Integrated rails/Geschlossener Reling/Railing intégrés	SI/YES/YA/OUI	2
SEAT Alhambra II MPV (10>) Rail aperti/Open rails/Mit Reling/Railing	SI/YES/YA/OUI	1
SEAT Altea Freetrack MPV (07>15) Rail chiusi/Integrated rails/Geschlossener Reling/Railing intégrés	SI/YES/YA/OUI	1
SEAT Altea XL MPV (06>15) Rail chiusi/Integrated rails/Geschlossener Reling/Railing intégrés	SI/YES/YA/OUI	1
SEAT Arona SUV (17>) Rail aperti/Open rails/Mit Reling/Railing	SI/YES/YA/OUI	1
SEAT Ateca SUV (16>) Rail aperti/Open rails/Mit Reling/Railing	SI/YES/YA/OUI	2
SEAT Ibiza ST SW (10>17) Rail chiusi/Integrated rails/Geschlossener Reling/Railing intégrés	SI/YES/YA/OUI	1
SEAT Leon ST SW (13>) Rail chiusi/Integrated rails/Geschlossener Reling/Railing intégrés	SI/YES/YA/OUI	1
SEAT Leon X-PERIENCE SW (15>) Rail chiusi/Integrated rails/Geschlossener Reling/Railing intégrés	SI/YES/YA/OUI	1
SEAT Terraco SUV (18>) Rail aperti/Open rails/Mit Reling/Railing	SI/YES/YA/OUI	1
SKODA Karoq SUV (17>) Rail aperti/Open rails/Mit Reling/Railing	SI/YES/YA/OUI	1
SKODA Kodiaq SUV (17>) Rail aperti/Open rails/Mit Reling/Railing	NO/NO/NEIN/NON	2
SKODA Superb III Wagon SW (15>) Rail aperti/Open rails/Mit Reling/Railing	SI/YES/YA/OUI	1
SUZUKI SX4 S-Cross 5P (13>) Rail chiusi/Integrated rails/Geschlossener Reling/Railing intégrés	SI/YES/YA/OUI	1
SUZUKI Vitara SUV (15>) Rail chiusi/Integrated rails/Geschlossener Reling/Railing intégrés	SI/YES/YA/OUI	2
VOLKSWAGEN Cross Polo V 5P (10>15) Rail aperti/Open rails/Mit Reling/Railing	SI/YES/YA/OUI	1
VOLKSWAGEN Cross Up! 5P (14>) Rail aperti/Open rails/Mit Reling/Railing	SI/YES/YA/OUI	1
VOLKSWAGEN Golf Sportsvan MPV (14>17) Rail aperti/Open rails/Mit Reling/Railing	SI/YES/YA/OUI	2
VOLKSWAGEN Passat VIII Variant SW (14>) Rail chiusi/Integrated rails/Geschlossener Reling/Railing intégrés	SI/YES/YA/OUI	1
VOLKSWAGEN Tiguan I SUV (07>16) Rail aperti/Open rails/Mit Reling/Railing	SI/YES/YA/OUI	2
VOLKSWAGEN Tiguan II SUV (16>) Rail aperti/Open rails/Mit Reling/Railing	SI/YES/YA/OUI	1
VOLKSWAGEN Touran II MPV (15>) Rail aperti/Open rails/Mit Reling/Railing	SI/YES/YA/OUI	1
VOLKSWAGEN T-Cross SUV (18>) Rail aperti/Open rails/Mit Reling/Railing	NO/NO/NEIN/NON	1
VOLVO V50 SW (04>12) Rail aperti/Open rails/Mit Reling/Railing	NO/NO/NEIN/NON	1
VOLVO V60 I SW (10>18) Rail chiusi/Integrated rails/Geschlossener Reling/Railing intégrés	SI/YES/YA/OUI	1
VOLVO V60 Cross Country SW (16>) Rail chiusi/Integrated rails/Geschlossener Reling/Railing intégrés	SI/YES/YA/OUI	1
VOLVO V90 SW (16>) Rail chiusi/Integrated rails/Geschlossener Reling/Railing intégrés	SI/YES/YA/OUI	1
VOLVO V90 Cross Country SW (16>) Rail chiusi/Integrated rails/Geschlossener Reling/Railing intégrés	SI/YES/YA/OUI	1
VOLVO XC60 I SUV (10>17) Rail chiusi/Integrated rails/Geschlossener Reling/Railing intégrés	SI/YES/YA/OUI	2
VOLVO XC60 II SUV (17>) Rail chiusi/Integrated rails/Geschlossener Reling/Railing intégrés	SI/YES/YA/OUI	2
VOLVO XC90 II SUV (15>) Rail chiusi/Integrated rails/Geschlossener Reling/Railing intégrés	SI/YES/YA/OUI	1