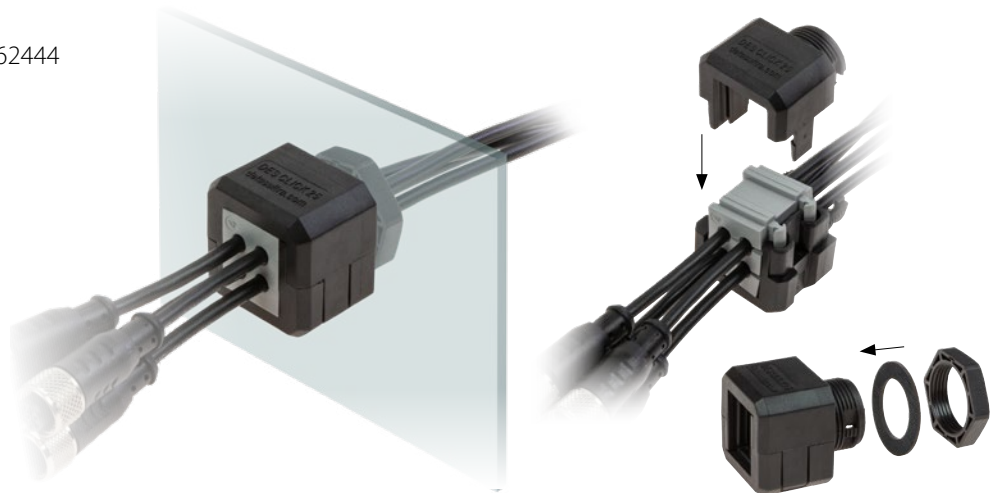




Splittable cable gland with locknut

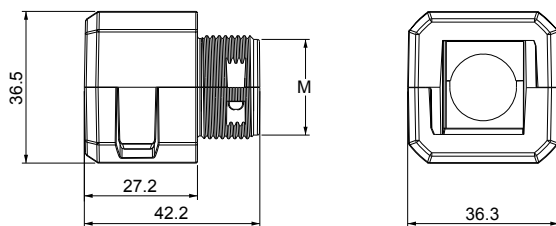
- ▶ Without screws
- ▶ Strain relief according to EN 62444
- ▶ Metric sizes
- ▶ Sturdy construction IK10
- ▶ IP54
- ▶ Grey or black version



Model	Code	Max. insert sizes			Cut-out Ø [mm]	Pcs /pack
DESCLICK 20B	1731051020	SPP 12	SPP 2x5	SPP 4x2	20,5	10
DESCLICK 25B	1731051025	SPP 16	SPP 2x6	SPP 4x4	25,5	
DESCLICK 32B	1731051032	SPP 16	SPP 2x7	SPP 4x6	32,5	
DESCLICK 20G	1731051320	SPP 12	SPP 2x5	SPP 4x2	20,5	
DESCLICK 25G	1731051325	SPP 16	SPP 2x6	SPP 4x4	25,5	
DESCLICK 32G	1731051332	SPP 16	SPP 2x7	SPP 4x6	32,5	

DDM SUB-D9	1731052032	Special size M32 for SUB-D9			10
-------------------	-------------------	------------------------------------	--	--	-----------

Dimensions [mm]



DESCCLICK is a metric, splittable cable gland for cables with and without connectors.

DESCCLICK works with single and multiple cable inserts ranging from 2 to 17 mm diameter.

Technical data

Material: PC

Flammability: self-extinguishing acc. to UL94-V0

Temperature: -40°C... +130°C (static)

Features: halogens and silicones free

Related products

- Inserts SPP
- Inserts SPP 2x
- Inserts SPP 4x

Hydraulic punch driver HY360

