

URBAN BONFIRE[®]

PRAIRIE 42



Efficiency is key when designing the perfect outdoor cooking space. This outdoor kitchen includes space for a 42" grill, along with ample storage space and functional accessories to elevate your outdoor cooking experience.

Details

Length 117" (includes countertop)

Height 36 1/2" (± 1")

Depth 28 3/4"

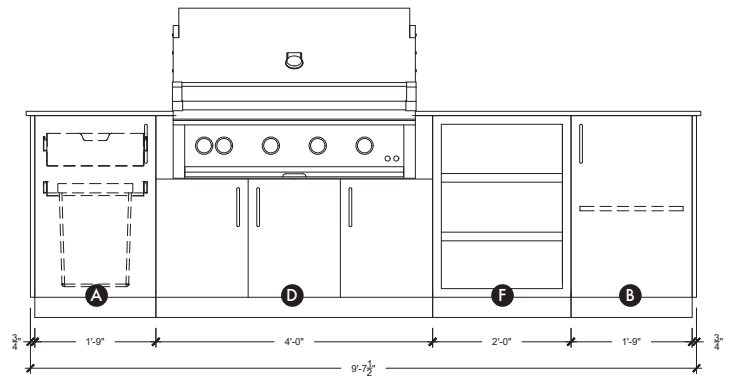
Kitchen Weight 220 lbs

Countertop Weight 256 lbs

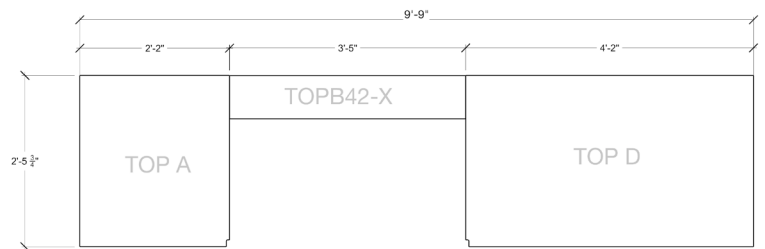
Features

- Drawer (1)
- Refuse & Recycling Module (1)
- Shelf (1)
- Back Panels (optional)
- Dekton[®] Countertop (optional)

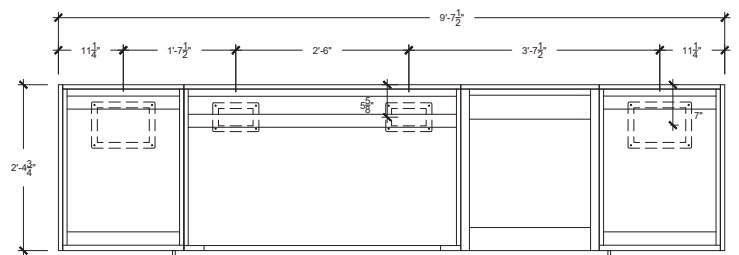
FRONT VIEW



COUNTERTOP TEMPLATE



TOP VIEW (Gas & Electrical Conduits Access Points)



FRONT VIEW (Gas & Electrical Conduits Access Points)

