

URBAN BONFIRE[®]
LAGOON



This outdoor kitchen was designed to be both practical and efficient. Allowing you to effectively store seasonal or everyday items such as pots, gardening materials, outdoor cushions, towels and more, while leaving the counter clear for gardening or entertaining.

Details

Length **90"** (includes countertop)

Height **36 1/2"** (± 1")

Depth **28 3/4"**

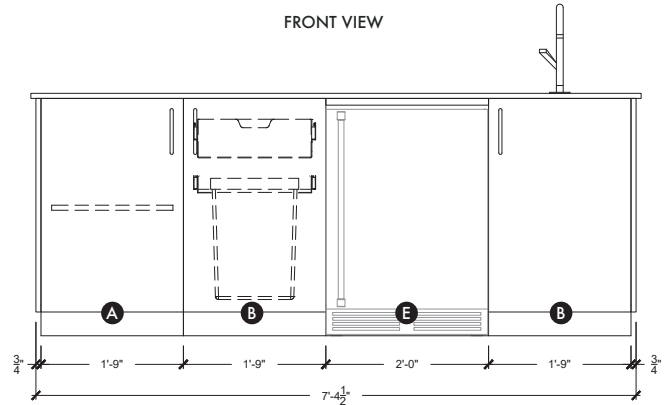
Kitchen Weight **150 lbs**

Countertop Weight **243 lbs**

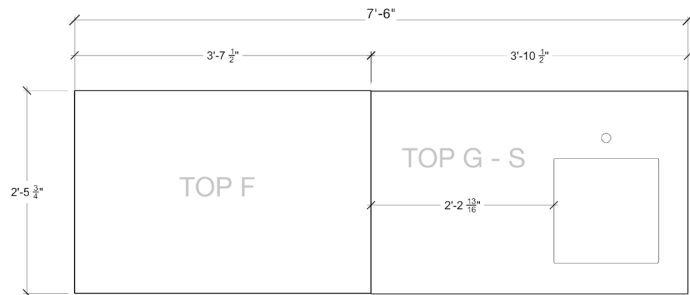
Features

- Drawer (1)
- Refuse & Recycling Module (1)
- Shelf (1)
- Back Panels (optional)
- Dekton[®] Countertop (optional)

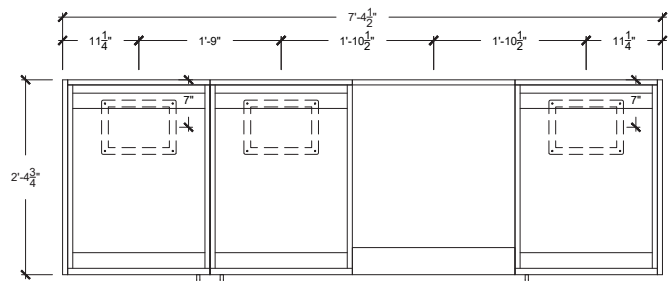
FRONT VIEW



COUNTERTOP TEMPLATE



TOP VIEW (Gas & Electrical Conduits Access Points)



FRONT VIEW (Gas & Electrical Conduits Access Points)

