

URBAN BONFIRE<sup>®</sup>

## DAWN 36



Efficiency is key when designing the perfect outdoor cooking space. This outdoor kitchen includes space for a 36" grill, along with ample storage space and functional accessories to elevate your outdoor cooking experience.

### Details

Length 111" (includes countertop)

Height 36 1/2" (± 1")

Depth 28 3/4"

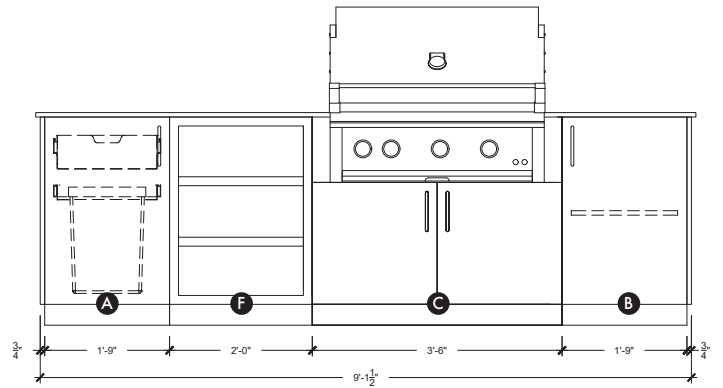
Kitchen Weight 206 lbs

Countertop Weight 252 lbs

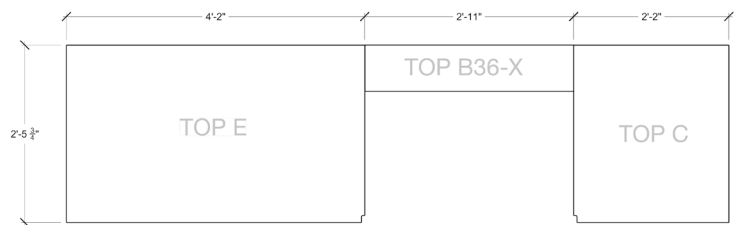
### Features

- Drawer (1)
- Refuse & Recycling Module (1)
- Shelf (1)
- Back Panels (optional)
- Dekton<sup>®</sup> Countertop (optional)

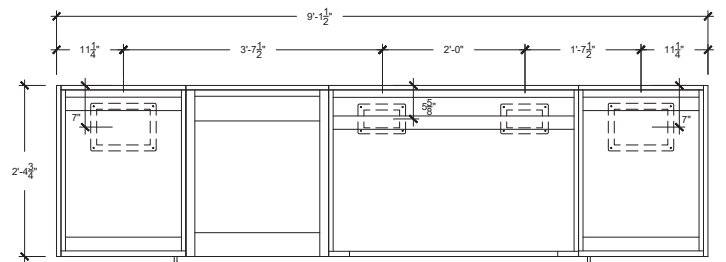
FRONT VIEW



COUNTERTOP TEMPLATE



TOP VIEW (Gas & Electrical Conduits Access Points)



FRONT VIEW (Gas & Electrical Conduits Access Points)

