

hexon

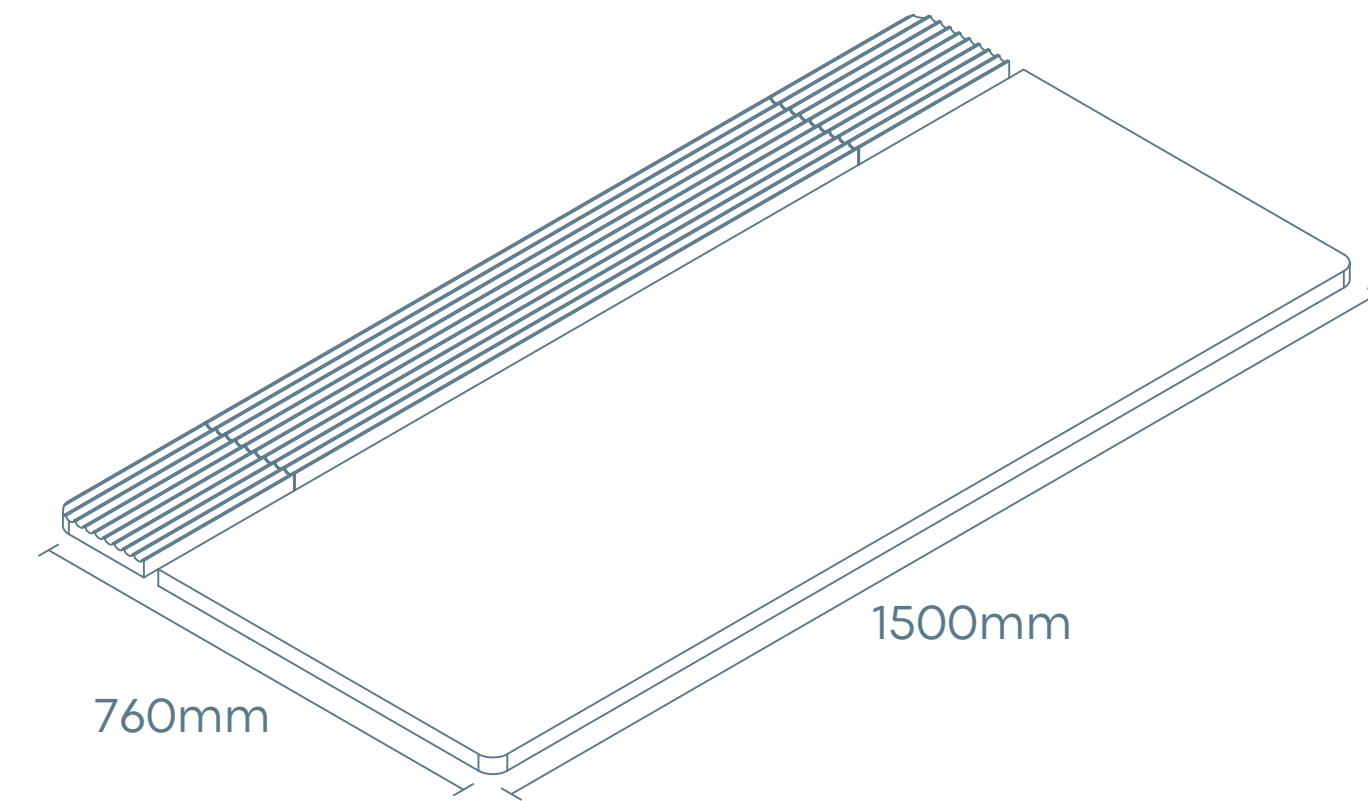
specification
sheet

 **ergotune**



Table Top Specifications

Model	Hexon Natural Wood Table Top
Core Material	High Compression Fibre Core
Surface Finish	Natural Wood Veneer Wrap
Colour	Dark Walnut, Honey Maple
Non Toxis EO Certified	Yes
Warp, Swell, Heat Resistant	Yes
Dimension/Weight	1500mm x 760mm x 25mm / 23.25kg



Frame Specifications

Model	Hexon Standing Frame
Height Range	Min 639mm / Max 1282mm
Motor Speed	40mm/s
Noise Level	<50dB
Height Controller	Health Coach with Memory Controller

Frame Construction	Cold Rolled Steel with Protective Coat
Colour	Charcoal Black, Lily White
Desk Input Voltage	220-240V, 50/60Hz, 350W
Desk Output Voltage	30V, 6A
No. Of Motors	2 motors
Power Cord Plug Type	UK 3 Pin Plug (Type-G)
Zero Wobble Structure	Yes
Gyroaxis Anti Collision	Yes

Warranty	Up to 5 years
Assembly Required	Yes
Weight	30kg

