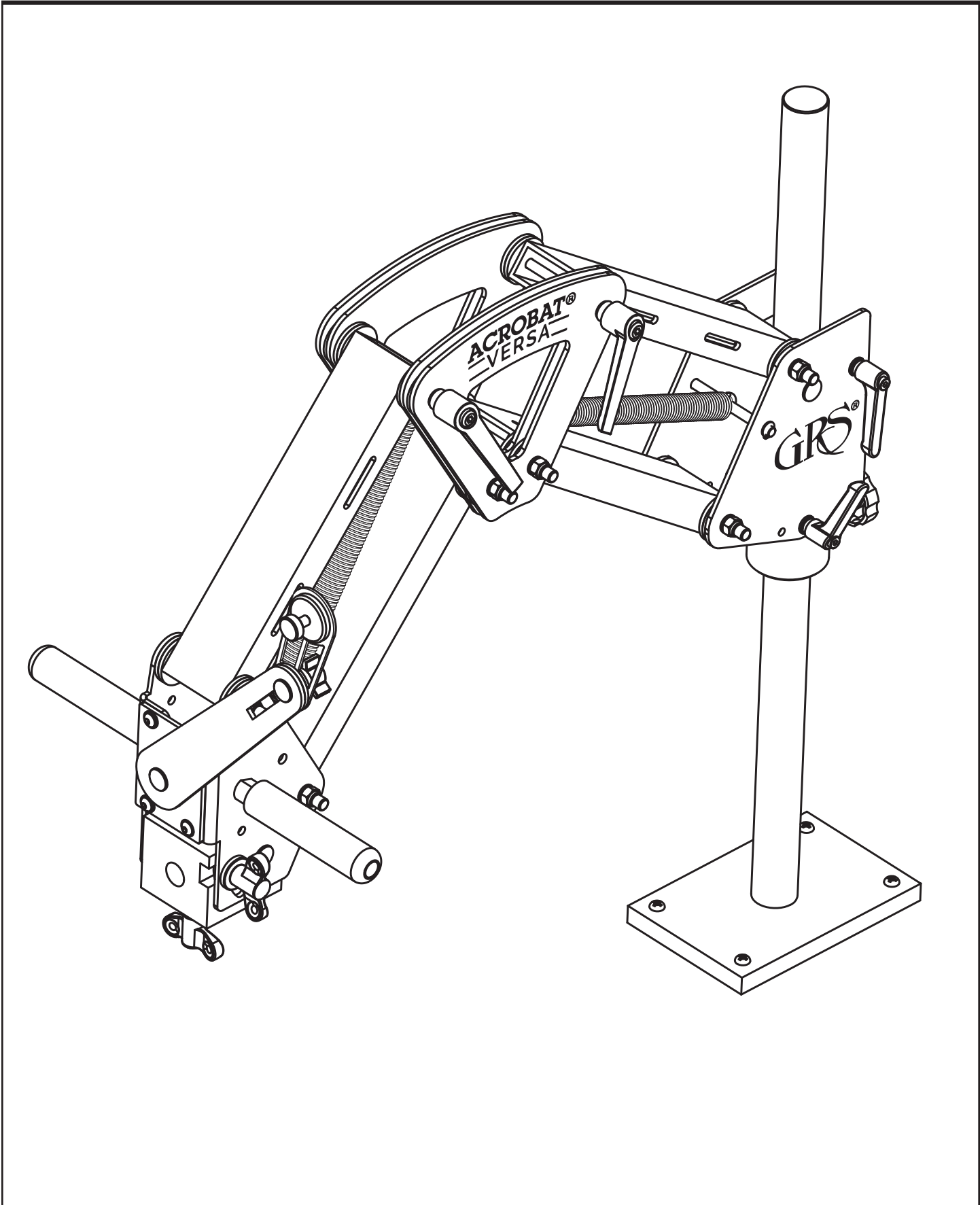




Acrobat® Versa Stand

INSTRUCTIONS • #003-635



1. BENCH INSTALLATION

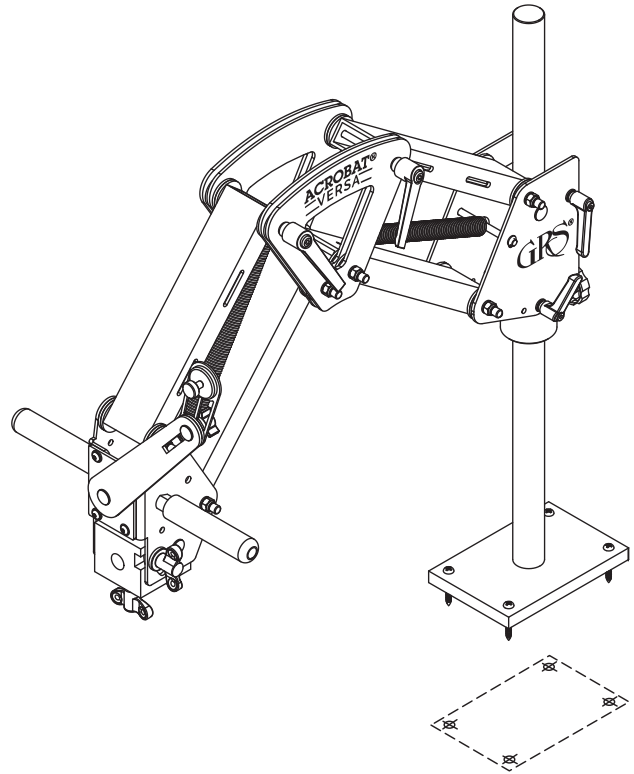
Locate the microscope stand base on the bench top so the microscope will be over your work. Cut out the template (back cover, page 8) and tape it exactly where the base will be located. Using a center punch or awl, mark the centers of the screw holes through the paper and into the bench top. Remove the template and proceed according to bench material.

WOODEN BENCH

Use a 1/8" drill bit and drill all four holes a little more than 1" deep. Attach the stand to the bench with the 1-1/2" wood screws (included).

METAL BENCH

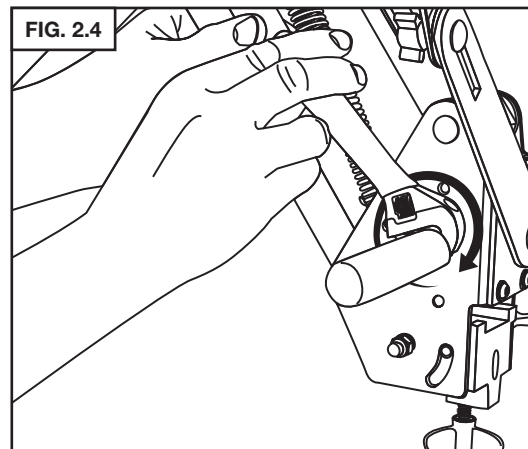
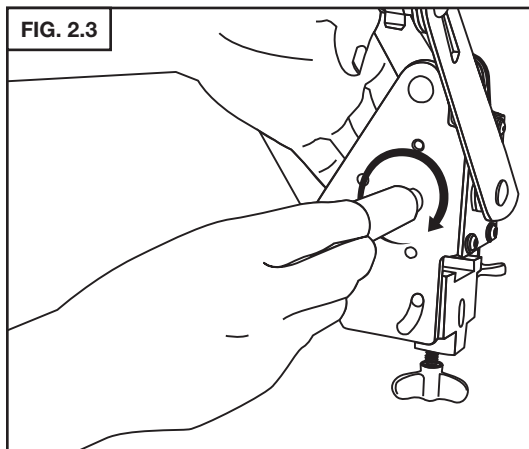
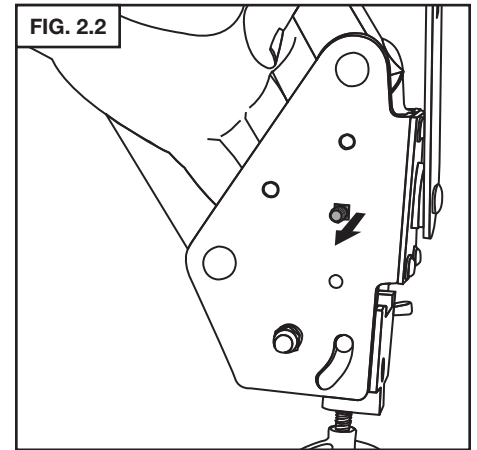
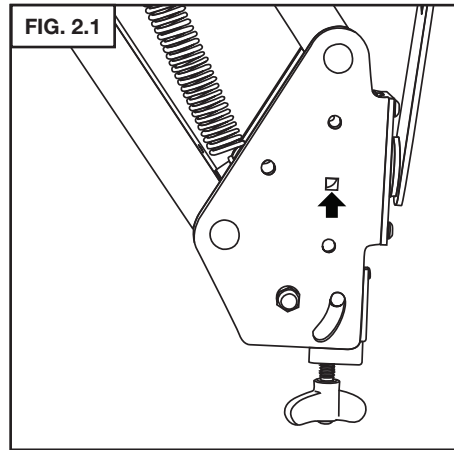
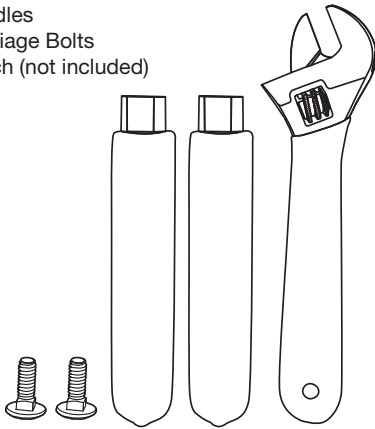
Drill 1/4" holes through the bench top. Use 10-32 flat head bolts (not included) with a length of about 1/2" more than the thickness of your bench top to attach the stand to the bench. Bolt the stand down using washers and nuts (not included) on the underside.



2. HANDLE INSTALLATION

PARTS AND TOOLS NEEDED

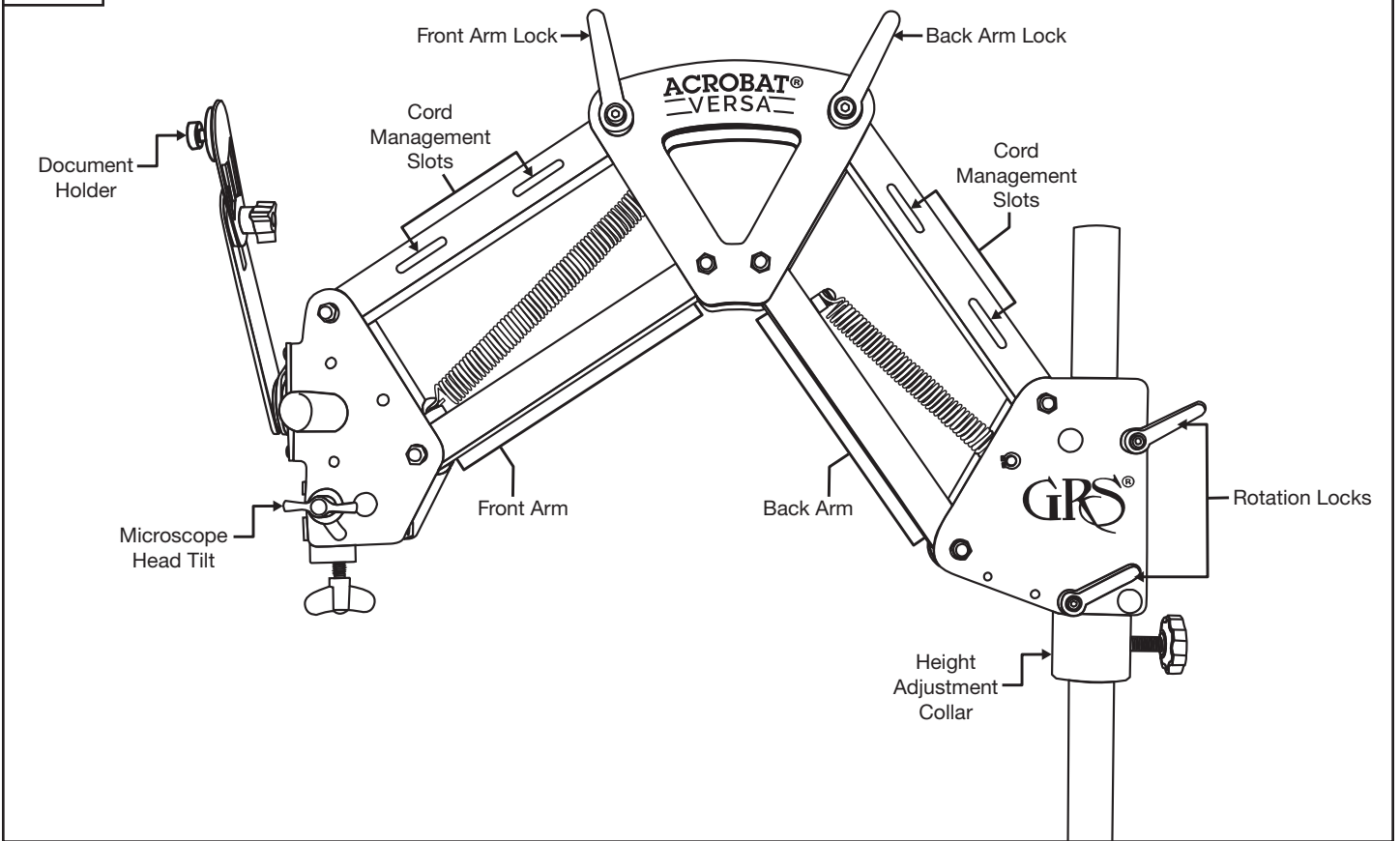
- 2 handles
- 2 Carriage Bolts
- Wrench (not included)



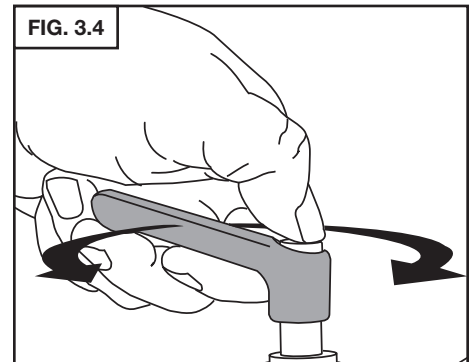
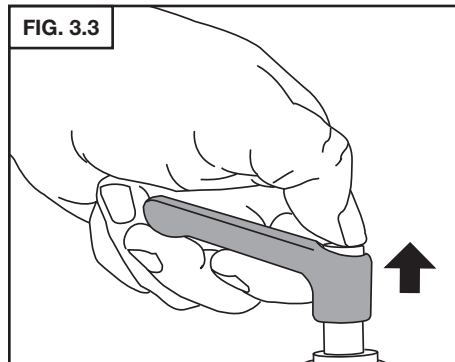
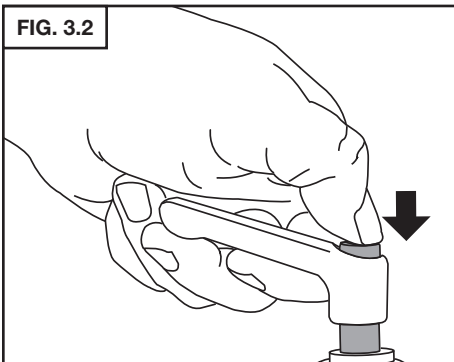
Repeat steps to install the second handle on the other side of the stand.

3. STAND ADJUSTMENTS AND FEATURES

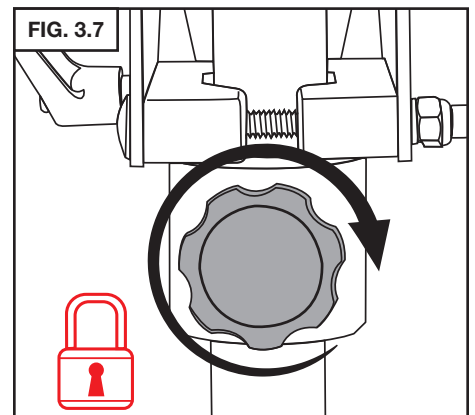
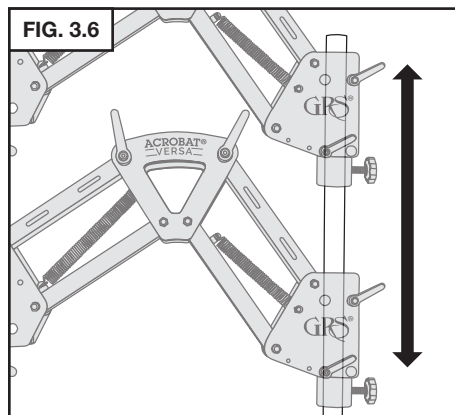
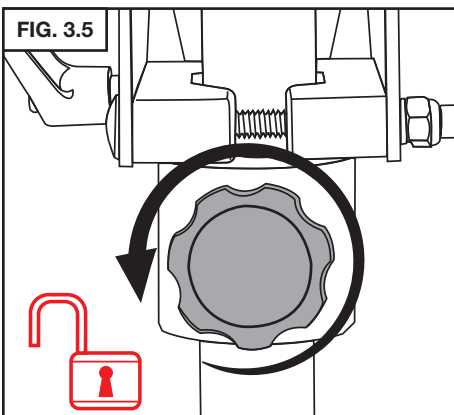
FIG. 3.1



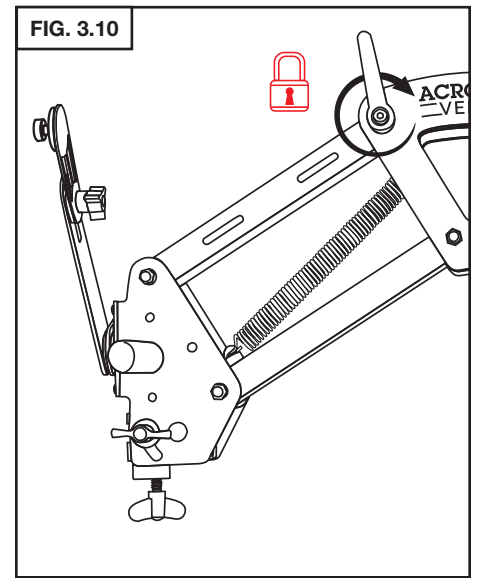
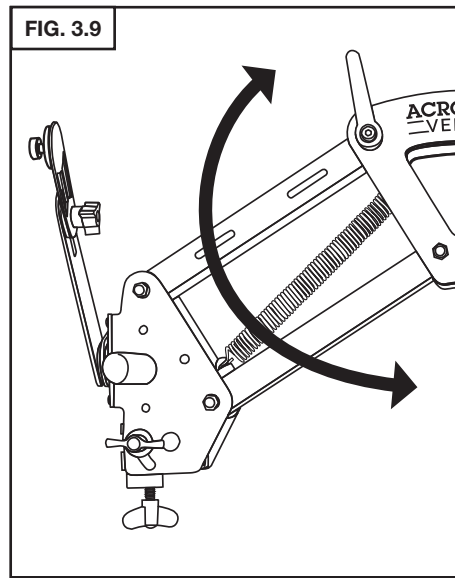
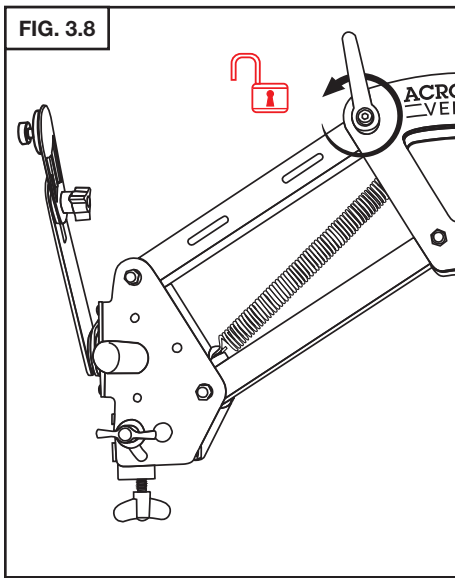
LEVER ORIENTATION



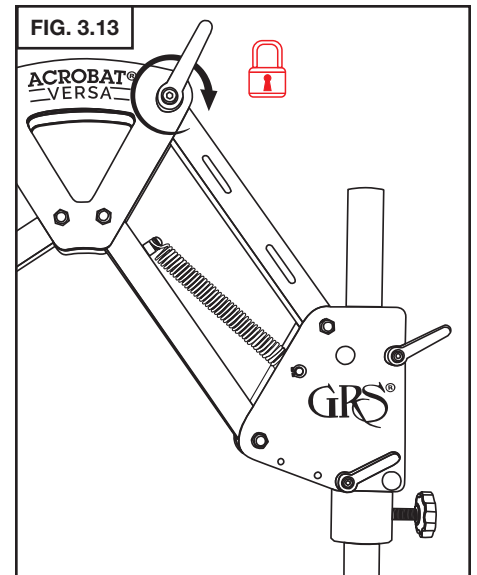
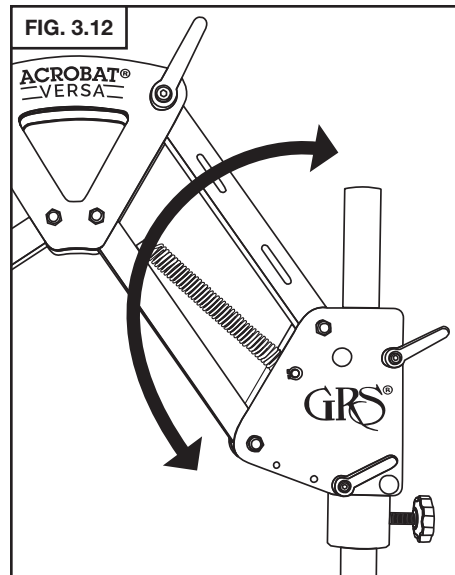
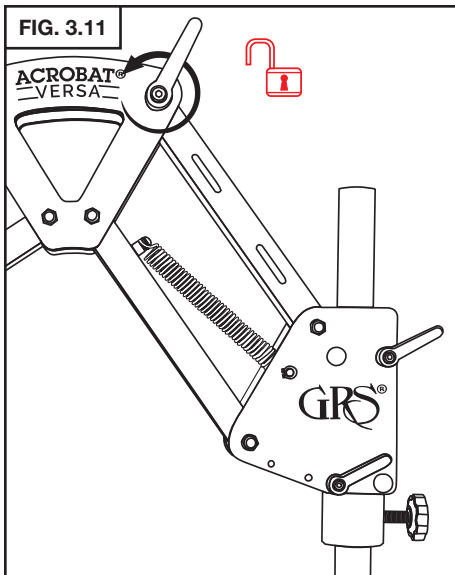
HEIGHT ADJUSTMENT



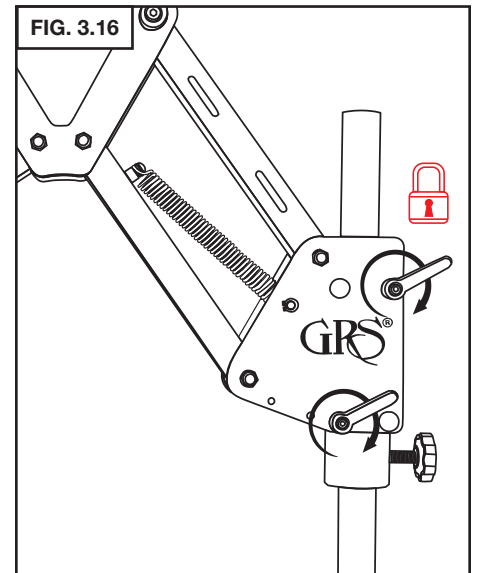
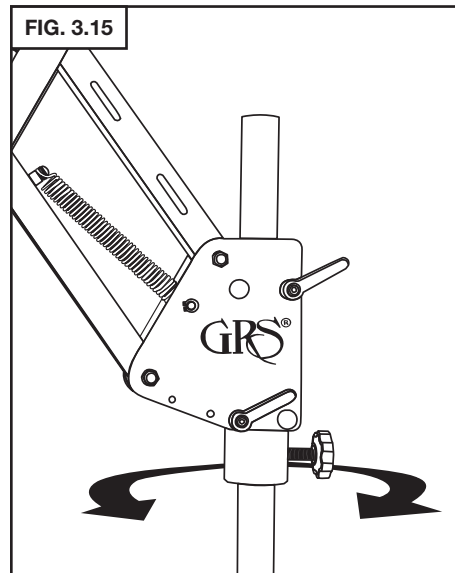
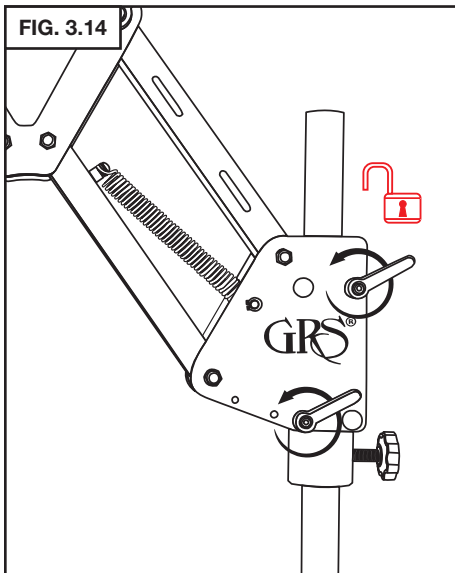
FRONT ARM ADJUSTMENT



BACK ARM ADJUSTMENT

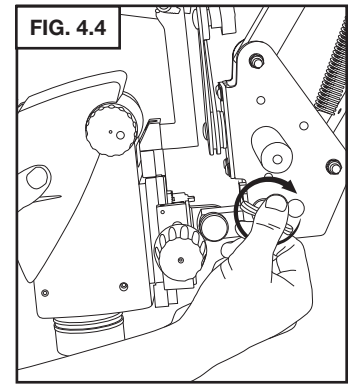
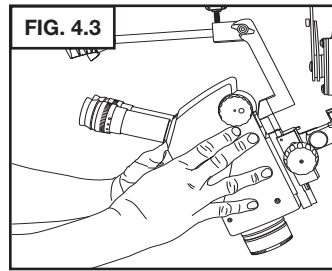
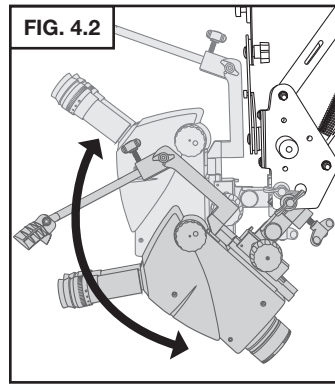
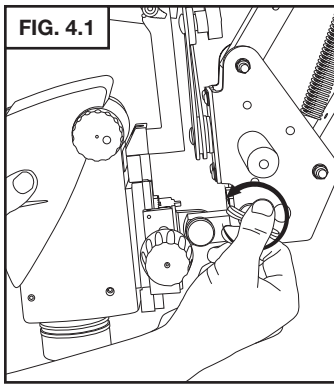


ARM ROTATION



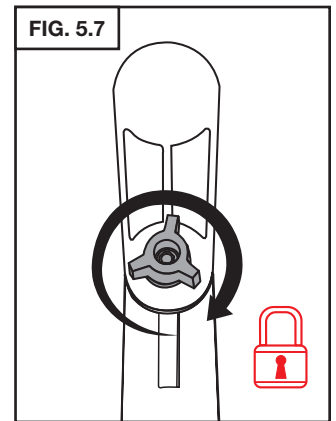
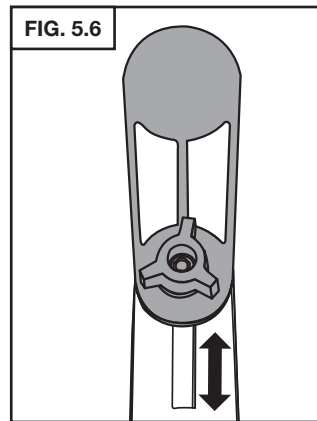
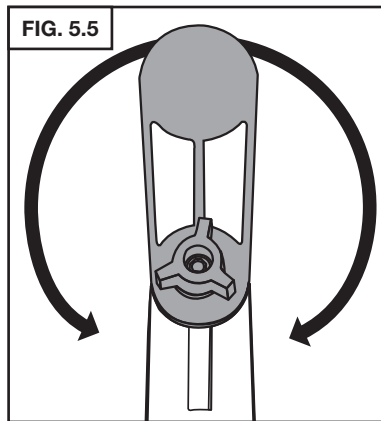
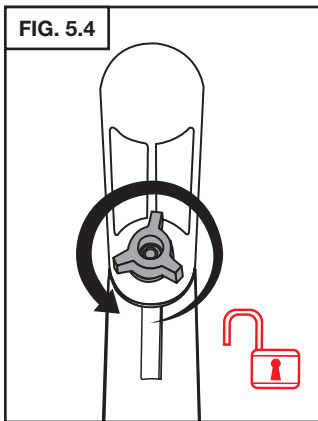
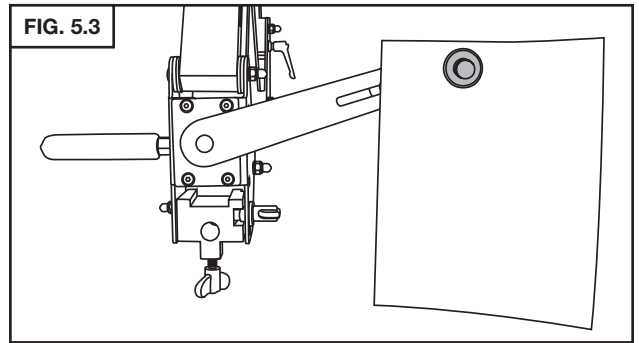
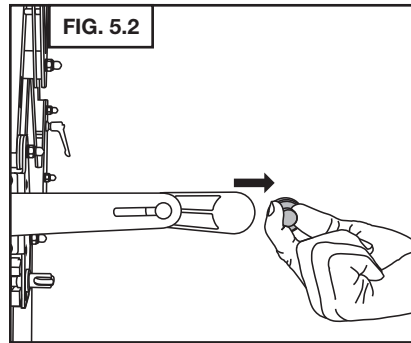
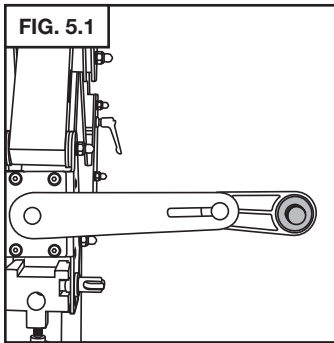
See GRS LIT-415 for instructions on how to mount the Leica A60 microscope with the Acrobat® Versa stand.

4. MICROSCOPE HEAD TILT



NOTE: Always support the microscope head when tilting.

5. DOCUMENT HOLDER



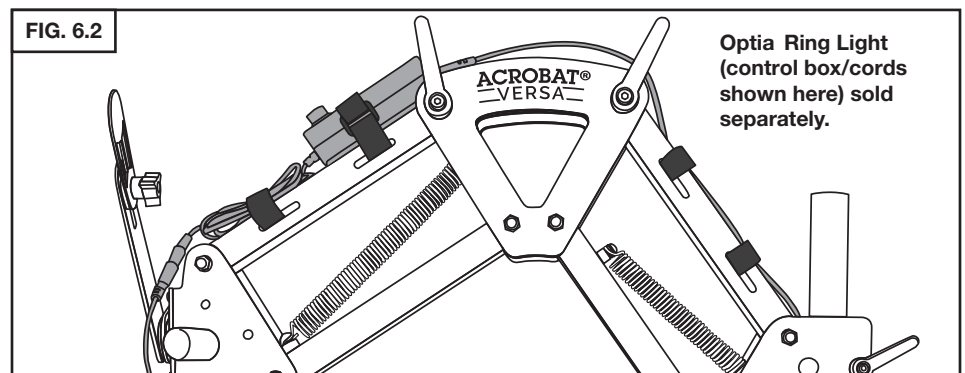
6. CORD MANAGEMENT

FIG. 6.1

4x Hook and Loop Straps



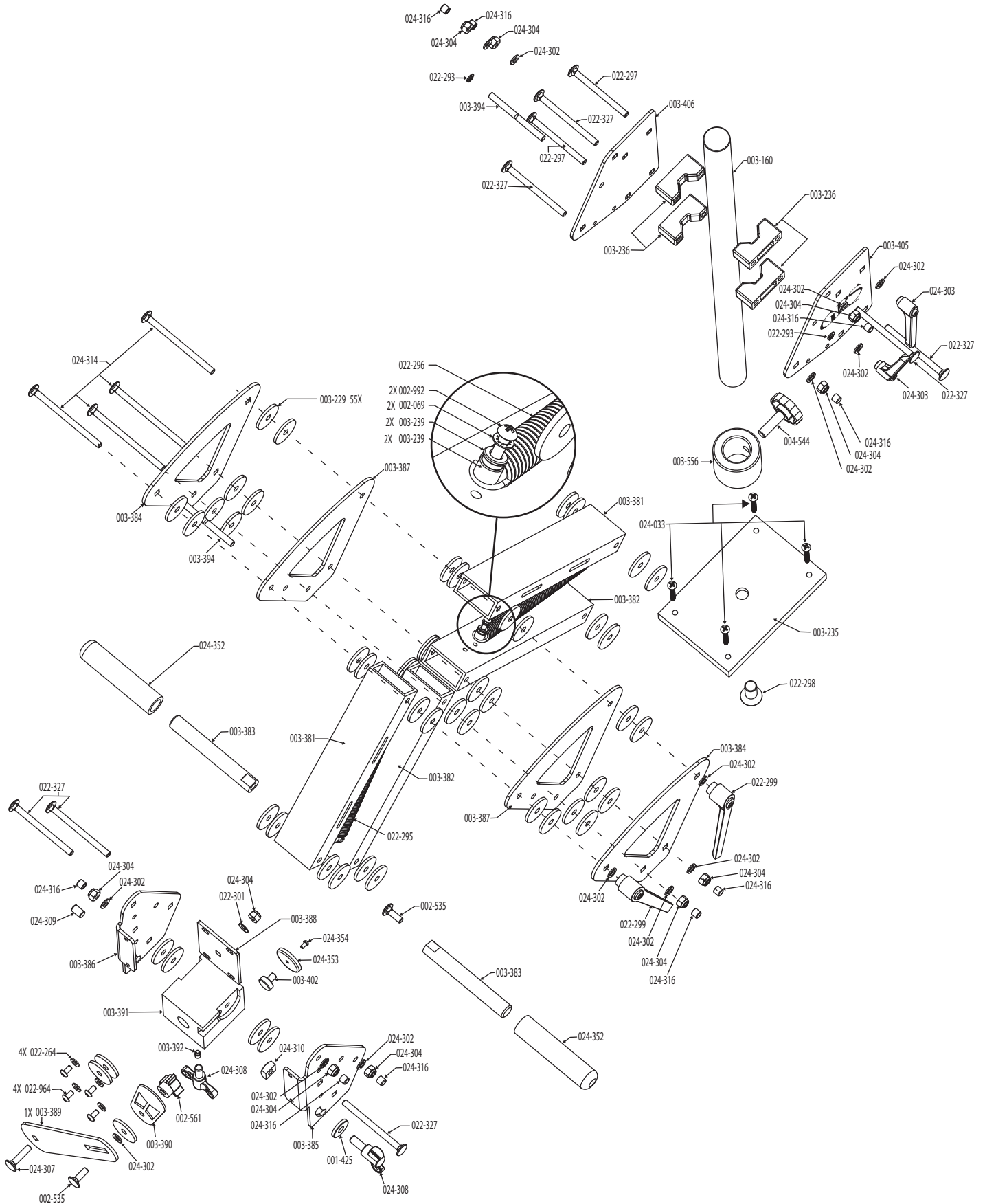
FIG. 6.2



Optia Ring Light (control box/cords shown here) sold separately.

GRS Acrobat® Versa Stand

PARTS LIST • #003-635



PART NO.	DESCRIPTION	QTY.	PART NO.	DESCRIPTION	QTY.	PART NO.	DESCRIPTION	QTY.
001-425	WASHER, .312 X .875 X .145 BLK	1	003-391	MICROSCOPE MOUNT AND TILT BLOCK	1	024-033	#10 X 1-1/2 RHPWS FASTENAL PN# 31366	4
002-069	WASHER, #10 LOCK PLTD	2	003-392	CLAMP PIN TO RETAIN MICROSCOPE IN MOUNT BLOCK	1	024-302	WASHER STEEL BLACK .473 O.D X .260 ID X .06 THK	14
002-535	CARRIAGE BOLT .75X 1/4-20 Z/P	3	003-394	SPRING MOUNT SHAFT	2	024-303	SHORT ARM 1/4-20 ADJUSTABLE CLAMP LEVER	2
002-561	CLAMP KNOB 1/4-20 FREE SPIN	1	003-395	HOOK AND LOOP WRAP	4	024-304	NYLON INSERT TYPE NE 1/4-20 LOCK NUT	10
002-992	SCREW, 10-32 X 3/4 RHMS	2	003-402	KNOB FOR DOC HOLDER MAGNET ASSEMBLY	1	024-307	CARRIAGE BOLT 1.125 X 1/4-20 Z/P	1
003-160	POST	1	003-405	REAR PLATE	1	024-308	5/16 X .750 STEEL/PLASTIC WING SCREW	2
003-229	SPACER	55	003-406	REAR PLATE	1	024-309	5/16 X 1/2 BLACK FINISH STEEL DOWEL PIN	1
003-235	MOUNTING BASE	1	003-556	STOP COLLAR FOR MICROSCOPE STANDS	1	024-310	5/16-18 SQUARE STEEL NUT ZINC PLATED GRADE A	1
003-236	BLOCK	4	004-544	KNOB ASSY 3/8-24	1	024-314	CARRIAGE BOLT 1/4-20 X 3.75 LONG	2
003-239	SPRING ANCHOR	2	022-264	WASHER .219 X .438 X .049	4	024-315	1/4-20 CARRIAGE BOLT X 4.00	2
003-381	UPPER PARALLEL ARM	2	022-293	GRIP RING	2	024-316	BLACK VINYL COVER	9
003-382	LOWER PARALLEL ARM	2	022-295	EXTENSION SPRING	1	024-352	FOAM GRIP FOR USE OVER A .625 DIAMETER	2
003-383	HANDLE	2	022-296	EXTENSION SPRING	1	024-353	ROUND CERAMIC MAGNET IN STEEL HOUSING	1
003-384	CENTER PLATE STEEL	2	022-297	CARRIAGE BOLT 3.00 X 1/4-20 Z/P	2	024-354	6-32 PHILLIPS DRIVE ROUND HEAD ZINC FINISH STEEL MACHINE SCREW	1
003-385	FRONT PLATE RIGHT FOR SCOPE MOUNT	1	022-298	1/2-13 X 1.00 FHSCS	1			
003-386	FRONT PLATE LEFT FOR SCOPE MOUNT	1	022-299	LONG ADJ. HANDLE 1/4-20 I.D.	2			
003-387	CENTER PLATE ALUMINUM	2	022-301	BELLEVILLE WASHER	1			
003-388	FRONT PLATE FOR DOCUMENT HOLDER OPTIONS	1	022-327	CARRIAGE BOLT 3.25 X 1/4-20 Z/P	7			
003-389	DOCUMENT HOLDER ARM "LONG"	1	022-964	BHSCS, #10-32 X .38" BLK	4			
003-390	DOCUMENT HOLDER ARM "SHORT"	1						

Microscope Stand Base Template



GLEND O LLC

900 Overlander Road • Emporia, KS 66801 USA
800-835-3519 • 620-343-1084 • Fax: 620-343-9640
grs@grstools.com • www.grstools.com
Last Update: 2016-02-03