

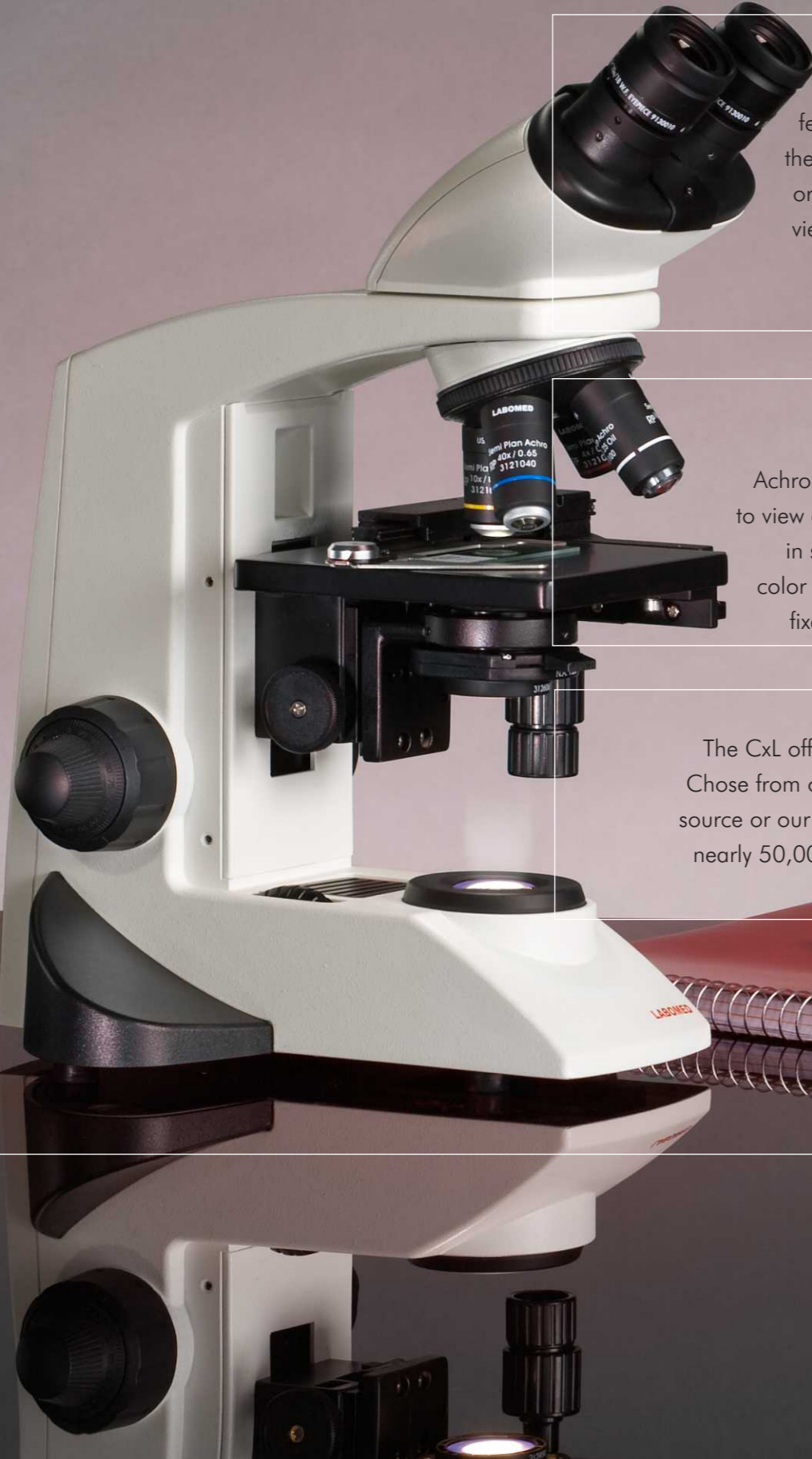
CxL

Laboratory Microscopy



LABOMED
ideas for vision

Where Style Meets Function



1
Our Secure Rotation feature enables you to rotate the viewing tube without strain or mechanical wear while the viewing tube is secured to the stand. Focusable eyepieces provide greater control.

2
Our LP series Semi Plan Achromatic objectives enable you to view an assortment of specimens in sharp contrast and with true color fidelity. Factory pre-centered fixed condenser is a standard.

3
The CxL offers flexibility in illumination. Chose from our efficient 6v20w halogen source or our super bright LED, providing nearly 50,000 hours of operation in the near daylight spectrum.

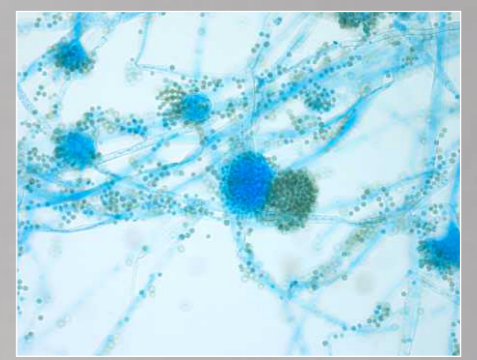
CxL

Adapted for both classroom and lab environments, the new CxL reflects a fresh design and delivers a rugged exterior with quality optical and mechanical ingredients for a lifetime of carefree use. This next generation microscope asserts its sophistication not only by design, but also through flawless functionality. In light of the latest in manufacturing technology, the highly modular CxL can offer you a high degree of performance for various applications.

With all LEAD free optical components and paints, the CxL is an environment friendly solution.

And best of all, you won't need to break the bank to own one!

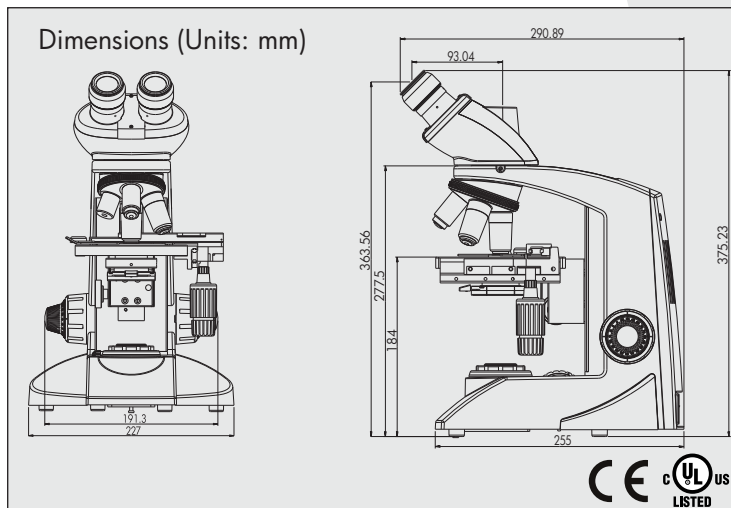
All contact surfaces are treated with antimicrobial agents to ensure zero point-of-contact bacterial contamination.



CxL Laboratory Microscope

Item	Specifications
- Stand	Single mold sturdy stand with anti rust materials. Extended base for better stability
- Viewing Bodies	45° inclined, 360° rotatable dovetail, Inter pupillary distance 54 - 74mm
- Eyepiece	Wide field focusable paired eyepiece* 10x/18mm with foldable eye guard, lockable, antifungal
- Nosepiece	Quadruple Nosepiece (Ball bearing type) with rubber grip
- Objectives	LP series DIN Semi Plan Achromatic objectives* 4x, 10x, 40x (spring loaded), 100x (spring loaded, oil), anti fungal
- Mechanical stage	Rectangular stage size 135 x 124mm, X/Y travel range 76mm x 50mm. Low drive movement controls, single specimen holder
- Condenser	Sub stage Abbe condenser NA 1.25 with aspheric lens* . Iris diaphragm with snap-in blue filter. Rack and pinion movements on metal guides
- Focusing	Co-axial coarse and fine focusing on ball drive system for smooth operation. Fine drive movement 0.3mm/rotation
- Illumination	LED† or Halogen 6V-20W illumination with variable illumination control. Up to 50,000 hours of LED life and 2,000 hours of Halogen lamp life
- Electricals	Universal input 100V - 240V AC, 50/60Hz. Built in voltage stabilizer
- Optional accessories	Phase contrast kit with 10x/40x LP series Phase objective, Polarizing kit, Dark field kit, Green Filter, Video adapter, Labomed Digital cameras

Specifications



Configurations

Description	Configuration	Cat. No.
Halogen		
3 obj. 4x, 10x, 40x (SL)	Monocular, Integrated Eyepiece	9135000
Standard*	Monocular, Integrated Eyepiece	9135001
Standard*	Binocular	9135002
Standard*	Trinocular	9135003
Standard*	Trinocular, Digital 3.0MP camera	9135400
LED†		
Standard*	Monocular, Integrated Eyepiece	9135005
Standard*	Binocular	9135006
Standard*	Trinocular	9135007
3 obj. 4x, 10x, 40x (SL)	Monocular, Integrated Eyepiece	9135008
Standard*	Trinocular, Digital 3.0MP camera	9135500

* Standard versions are with 4 objectives 4x, 10x, 40x (SL) and 100x (SL, oil)
 † LED version is with rechargeable battery and detachable power cord
 * All optical components are made of environment friendly LEAD free optical glass.

Labo America, Inc.

920 Auburn Court
 Fremont, CA 94538
 U.S.A.

Tel: (510) 445-1257
 Fax: (510) 991-9862
 Email: sales@laboamerica.com



ISO 9001 : 2008
 File No. A9020

laboamerica.com

Distributor