



ACCU-SCOPE®

MICROSCOPY & IMAGING SOLUTIONS

EXM-50
Monocular Microscope

A robust microscope that is ideal for the educational setting: compact footprint, built-in LED illumination, built-in carry handle, simple set-up and storage.

The EXM-50 is student-friendly and encourages scientific exploration.

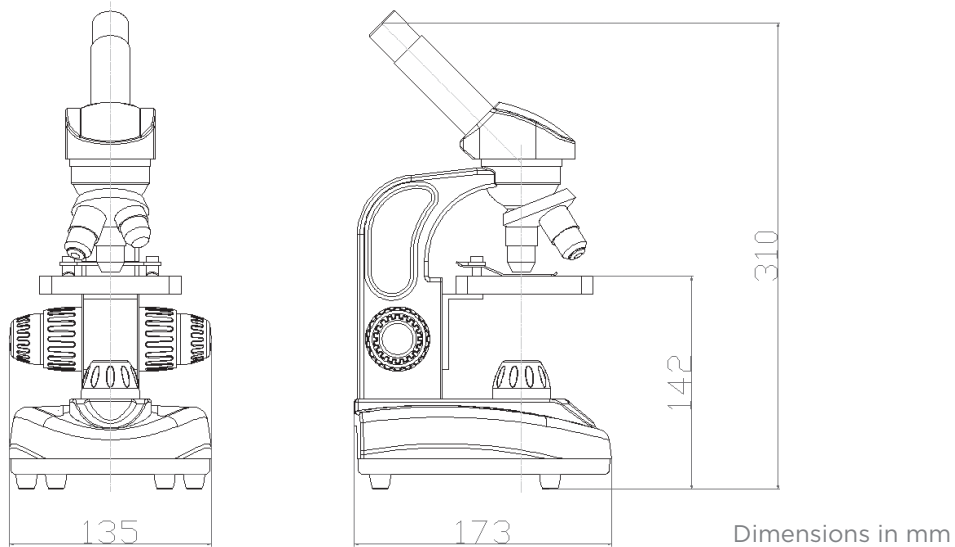


Empowering Discovery. Advancing Results.

EXM-50 Monocular Student Microscope

SPECIFICATIONS	
Viewing Head	Monocular, inclined 45°, rotatable 360°
Optical System	DIN Optical System, f = 160mm
Objectives	DIN Achromat 4x, 10x, 40xR* objectives (* spring loaded)
Eyepiece	WF10x eyepiece, 16mm field of view, with pointer
Nosepiece	Front-facing, 3-position nosepiece with positive click stops to ensure objective alignment
Focusing System	Coaxial coarse and fine focus, focus tension adjustment; focus travel stop
Stage	119mm x 119mm stage with Easy Load stage clips
Condenser	N.A. 0.65 condenser with a six aperture disc
Illumination	Variable LED illuminator; install AA batteries (requires 3; included) for cordless operation
Stand	Cast aluminum alloy with built-in carry handle
Power	Input: 100-240VAC, 0.4A; Output: 5V/1000mA
Accessories	Instruction manual, dust cover
Warranty	5-year limited warranty for parts, labor and electronic components; 1-year warranty on LED bulb

EXM-50 Dimensional Drawing



Copyright © 2023 ACCU-SCOPE Inc. All rights reserved. Printed in the U.S.A. ACCU-SCOPE Inc. reserves the right to change and improve specifications without notice due to technological or manufacturing advances.



v031623