

DATASHEET

VISION 2x6 r-PET



SIDE VIEW



FRONT VIEW



TOP VIEW



SNAPLOCK EASY OPEN



DATASHEET

VISION 2x6 r-PET



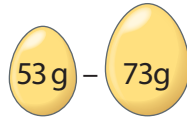
UNITS: 2

EGGS/UNIT: 6

MATERIAL: r-pet

PROCESSING: vacuum formed

CALIBER:



certified according to BRC/IoP Global Standard-Packaging

BOX DIMENSIONS



780 x 446 x 306 mm (L x W x H)	
30.71" x 17.56" x 12.05" (L x W x H)	
Net Weight (kg)	14.15
Box Weight (kg)	0.70
Gross Weight (kg)	14.85
Volume Box (m ³)	0.106



LAYER STRUCTURE

3 Boxes/Layer



TRUCK LOADING

Pieces/Box	360
Pieces/Pallet	8640
Pallets/Truck	30
Pieces/Truck	259200



CONTAINER LOADING

20"	88200 pcs.
40" HC	224640 pcs.



MACHINE SETUP

MOBA							STAALKAT
L	G	J	I1	I2	jaw	Code OWN 43	
15	23	5	10	40	898	Remarks	

Remarks: WITH ARBOR

Moba ID: OVE2601



DECORATION

Label Print



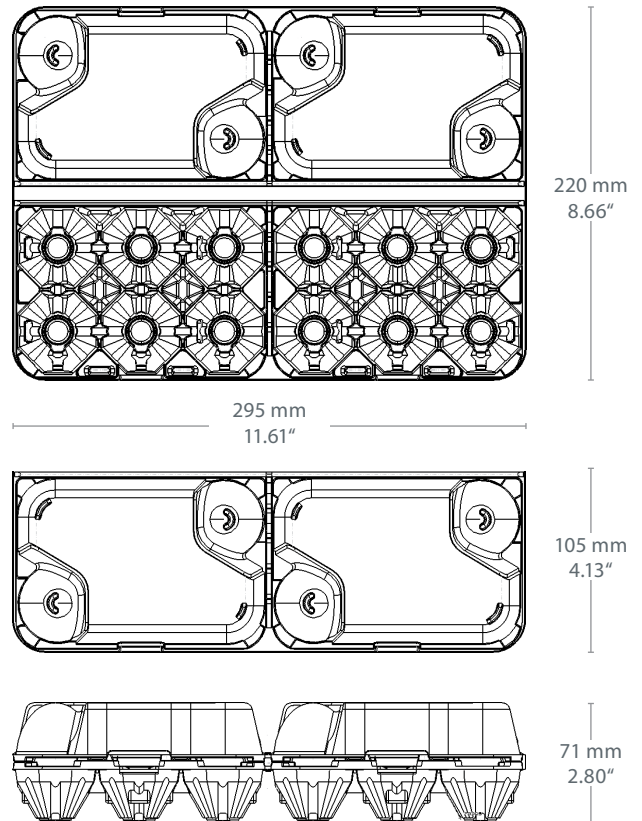
STORAGE

Pallet Dimensions (mm) 1345 x 800 x 2550
 Pallet Dimensions (inches) 52.95" x 31.50" x 100.39"
 max. 1 year

NO pallet on top of the other

max. +40°C
 min. +10°C Do NOT expose to sunlight

PACK DIMENSIONS



OVOTHERM International Handels GmbH
 Ricoweg 28, 2351 Wiener Neudorf, Austria / Europe
 phone +43 2236 61928 0, fax +43 2236 62741
 email office@ovotherm.com, email sales@ovotherm.com

