

# DATASHEET

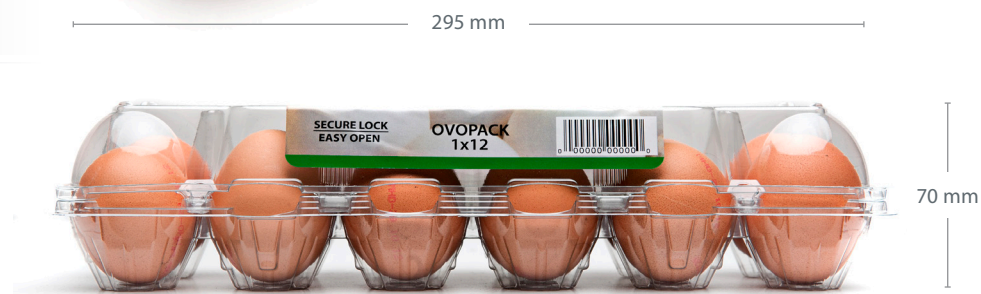
## OVOPACK 1x12 r-PET



SIDE VIEW



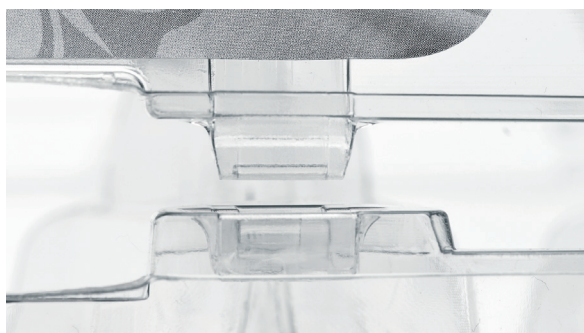
FRONT VIEW



TOP VIEW



SNAPLOCK EASY OPEN



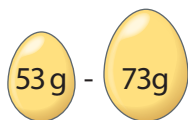
# DATASHEET

## OVOPACK 1x12 r-PET



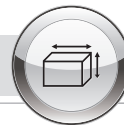
UNITS: 1  
EGGS/UNIT: 12  
MATERIAL: r-pet  
PROCESSING: vacuum formed

CALIBER:



certified according to BRC/loP Global Standard-Packaging

### BOX DIMENSIONS



796 x 446 x 303 mm (L x W x H)

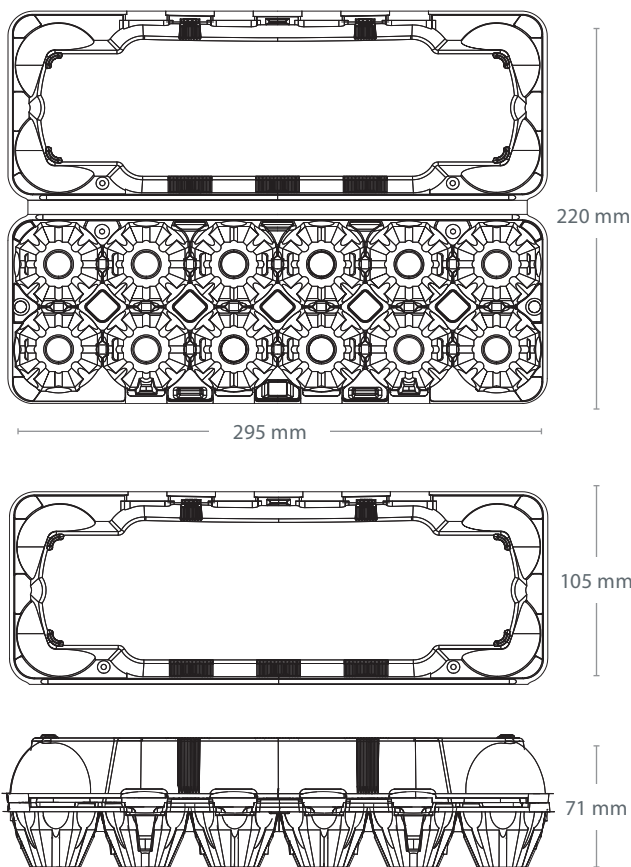
Net Weight (kg) 13,32

Bag Weight (kg) 0,70

Gross Weight (kg) 14,02

Volume Bag (m<sup>3</sup>) 0,108

### PACK DIMENSIONS



### LAYER STRUCTURE

3 Bags/Layer



### TRUCK LOADING

Pieces/Box 360

Pieces/Pallet 8.640

Pallets/Truck 30

Pieces/Truck 259.200



### CONTAINER LOADING

20" 245 Bags

40" HC 600 Bags



### MACHINE SETUP

MOBA

L	G	J	I1	I2	jaw
15	23	5	10	40	898

STAALKAT  
Code OWN 41  
Remarks

Remarks: WITHOUT ARBOR



### DECORATION



Label



Direct Print



### STORAGE

Palette Dimensions 1345 x 800 x 2554

max. 1 year



NO pallet on top of the other



max. +40°C  
min. +10°C



Do NOT expose  
to sunlight

OVOTHERM International Handels GmbH  
Ricoweg 28, 2351 Wiener Neudorf, Austria / Europe  
phone +43 2236 61928 0, fax +43 2236 62741  
email office@ovotherm.com, email sales@ovotherm.com

