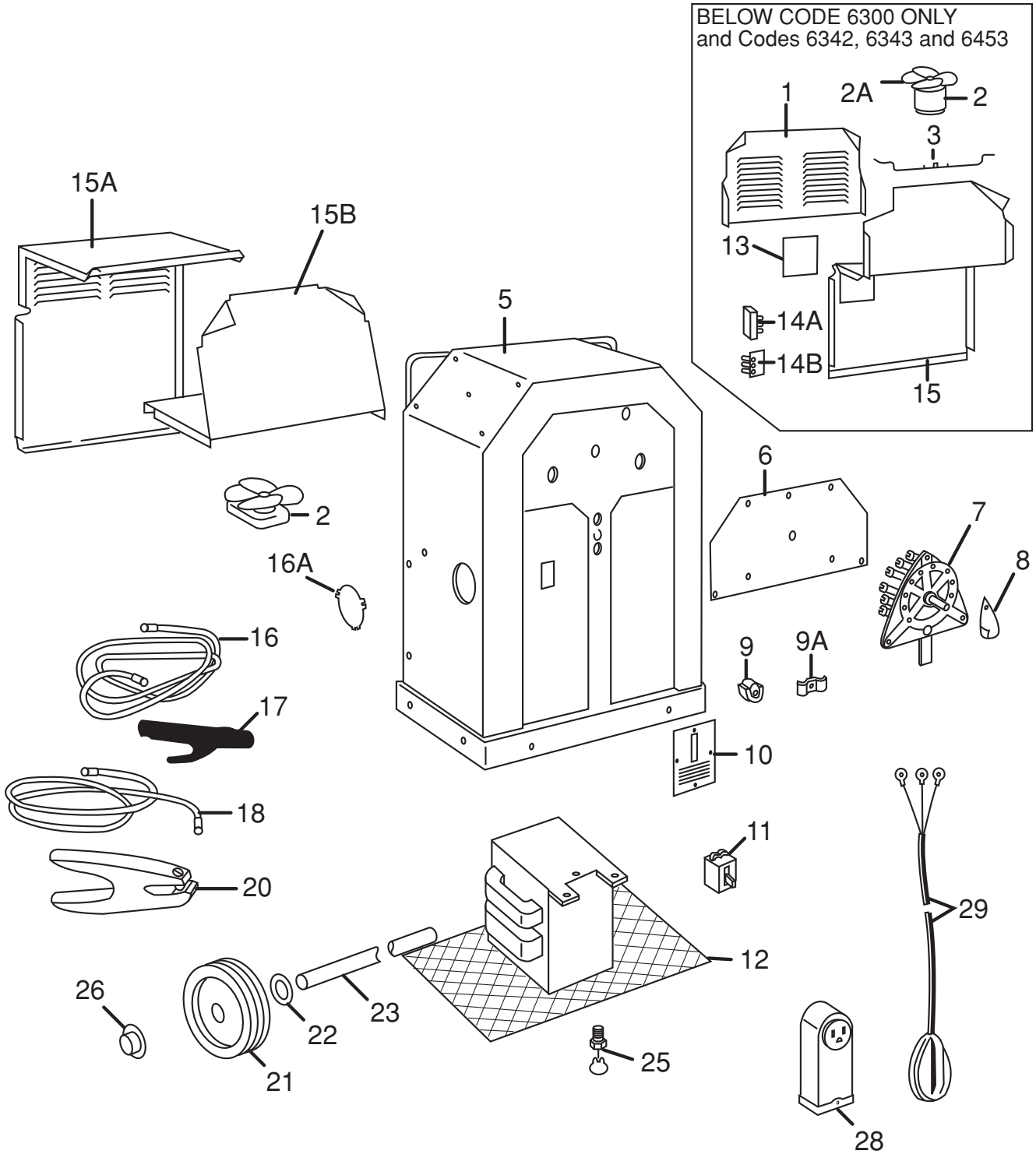


# AC-225-S Model Index



CODE	PAGE NO./ COL. NO.		CODE	PAGE NO./ COL. NO.		CODE	PAGE NO./ COL. NO.		CODE	PAGE NO./ COL. NO.	
4665	A.1.a	1	7093	A.1a	7	9424	A.1a	12			
4763	A.1a	2	7094	A.1a	7	9425	A.1a	12			
4798	A.1a	2	7098	A.1a	7	9426	A.1a	12			
4852	A.1a	2	7099	A.1a	7	9427	A.1a	12			
4953	A.1a	2	7100	A.1a	7	9428	A.1a	12			
5130	A.1a	2	7101	A.1a	7	10420	A.1a	13			
5167	A.1a	3	7102	A.1a	7	10421	A.1a	13			
5169	A.1a	3	7103	A.1a	7	10422	A.1a	13			
5227	A.1a	3	7234	A.1a	7	10423	A.1a	13			
5341	A.1a	4	7330	A.1a	8	10424	A.1a	12			
5348	A.1a	4	7333	A.1a	7	11074	A.1a	14			
5381	A.1a	3	7351	A.1a	8						
5438	A.1a	4	7352	A.1a	8						
5440	A.1a	4	7523	A.1a	7						
5449	A.1a	4	7533	A.1a	9	11602	B.1.a	1			
5451	A.1a	4	7731	A.1a	9	11603	B.1.a	2			
5465	A.1a	4	7743	A.1a	9	11604	B.1.a	3			
5470	A.1a	4	7744	A.1a	9	11674	B.1.a	4			
5678	A.1a	4	7745	A.1a	9						
5683	A.1a	4	7746	A.1a	9						
5880	A.1a	5	7755	A.1a	9						
5896	A.1a	4	7805	A.1a	9						
5897	A.1a	4	7813	A.1a	9						
5903	A.1a	4	8226	A.1a	9						
6140	A.1a	5	8370	A.1a	10						
6184	A.1a	5	7382	A.1a	10						
6295	A.1a	5	8383	A.1a	10						
6304	A.1a	6	8384	A.1a	10						
6342	A.1a	5	8385	A.1a	10						
6343	A.1a	5	8386	A.1a	10						
6453	A.1a	5	8459	A.1a	10						
6518	A.1a	5	8511	A.1a	10						
6592	A.1a	6	8712	A.1a	10						
6600	A.1a	6	8780	A.1a	10						
6601	A.1a	6	8894	A.1a	10						
6616	A.1a	6	8897	A.1a	10						
6661	A.1a	6	8898	A.1a	10						
6734	A.1a	6	8900	A.1a	10						
6898	A.1a	6	8918	A.1a	10						
6967	A.1a	6	8959	A.1a	10						
6991	A.1a	6	8983	A.1a	10						
7009	A.1a	6	9039	A.1a	10						
7010	A.1a	6	9291	A.1a	11						
7011	A.1a	6	9292	A.1a	11						
7012	A.1a	6	9293	A.1a	11						
7013	A.1a	6	9294	A.1a	11						
7030	A.1a	6	9295	A.1a	11						
7050	A.1a	7	9296	A.1a	11						
7068	A.1a	6	9422	A.1a	12						
7072	A.1a	6	9423	A.1a	12						

Index of Sub Assemblies

Index of Sub Assemblies  
Sub Assembly Illustration  
Index of Sub Assemblies  
Sub Assembly Illustration  
Index of Sub Assemblies  
Sub Assembly Illustration  
Index of Sub Assemblies  
Sub Assembly Illustration

Use only the parts marked "X" in the column under the heading number called for in the model index page.

# Indicates a Change This Printing

ITEM	DESCRIPTION	PART NO.	QTY	1	2	3	4	5	6	7	8	9	10	11	12	13	14
	This Page for Codes Below 11600																
1	Upper Back Panel	M9873 Ø	1	X	X	X	X	.	.	.	.	.	.	.	.	.	.
1	Upper Back Panel (Code 5600 to 6600 except 6304)	M10894	1	.	.	.	X	X	.	.	.	.	.	.	.	.	.
2	Fan Motor & Blade (60 Hz), Includes;	M13539-1	1	X	X	X	X	X	X	X	X	X	X	X	X	X	X
2A	Fan	M13525	1	X	X	X	X	X	X	X	X	X	X	X	X	X	X
2	Fan Motor & Blade (50 Hz), Includes:	M13539-2	1	X	X	X	X	X	X	X	X	X	X	X	X	X	X
2A	Fan	M13525-1	1	X	X	X	X	X	X	X	X	X	X	X	X	X	X
3	Fan Mounting Bracket	M9874	1	X	X	X	.	.	.	.	.	.	.	.	.	.	.
3	Fan Mounting Bracket	M10396 Ø	1	.	.	.	X	X	.	.	.	.	.	.	.	.	.
5	Case	L3786-6	1	X	.	.	.	.	.	.	.	.	.	.	.	.	.
5	Case	L3786-7	1	.	X	X	X	.	.	.	.	.	.	.	.	.	.
5	Case	L3786-12	1	X	.	.	.	.	.	.	.	.	.	.	.	.	.
5	Case	L3786-13 Ø	1	.	.	.	.	.	X	X	X	X	.	.	.	.	.
5	Case	L3786-19	1	.	.	.	.	.	.	.	.	.	X	X	X	.	.
5	Case	L3786-14	1	.	.	.	.	.	.	.	.	.	.	.	.	X	X
6	Nameplate, Lincoln, 60 Hz, 230 Volts	M9803 Ø	1	X	X	X	X	X	X	X	X	X	.	.	.	.	.
6	Nameplate, Lincoln, 60 Hz, 230 Volts	M13029	1	.	.	.	.	.	.	.	.	X	.	.	.	.	.
6	Nameplate, Lincoln, 60 Hz, 230 Volts	M14008	1	.	.	.	.	.	.	.	.	.	X	.	.	.	.
6	Nameplate, Lincoln, 60 Hz, 230 Volts	M15411	1	.	.	.	.	.	.	.	.	.	.	X	.	.	.
6	Nameplate, Lincoln, 60 Hz, 208 Volts	M15411-2	1	.	.	.	.	.	.	.	.	.	X	.	.	.	.
6	Nameplate, Lincoln, 60 Hz, Above 250 Volts	M15411-1	1	.	.	.	.	.	.	.	.	.	X	.	.	.	.
6	Nameplate, Lincoln, 50 & 60 Hz, Other Voltages	M9803-1	1	.	X	X	X	X	X	.	.	.	.	.	.	.	.
6	Nameplate, Lincoln, 60 Hz, Above 250 Volts	M15726	1	.	.	.	.	.	.	.	.	.	.	.	X	X	.
6	Nameplate, Lincoln, 60 Hz, 208V Only	M15725-1	1	.	.	.	.	.	.	.	.	.	.	.	X	X	.
6	Nameplate, Lincoln, 50 & 60 Hz, Other Voltages	M13029-1	1	.	.	.	.	.	.	.	.	.	.	.	.	.	.
6	Nameplate, Lincoln, 50 & 60 Hz, Other Voltages	M14008-1	1	.	.	.	.	.	.	.	.	.	X	.	.	.	.
6	Nameplate, Lincoln, 60 Hz, 230V Only	M15725	1	.	.	.	.	.	.	.	.	.	.	.	X	X	X
6	Nameplate, Lincoln, 50 Hz, 15% Duty Cycle Only	M13880	1	.	.	.	.	.	.	.	.	X	.	.	.	.	.
6	Nameplate, Lincoln, 50 Hz, Duty Cycle 220V Only	M14009	1	.	.	.	.	.	.	.	.	.	X	.	.	.	.
6	Nameplate, Lincoln, 50 Hz, 15% Duty Cycle Other Volt.	M14009-1	1	.	.	.	.	.	.	.	.	.	.	X	.	.	.
6	Nameplate, Lincoln, 50 Hz	M15727	1	.	.	.	.	.	.	.	.	.	.	.	X	X	.
6	Nameplate, Montgomery Ward	M9934 Ø	1	.	X	X	X	.	.	.	.	.	.	.	.	.	.
6	Nameplate, Lincoln, 60 Hz	M22165	1	.	.	.	.	.	.	.	.	.	.	.	.	.	.
	Fastener Button (White)	T14659	(As Req)	X	X	X	X	X	X	X	X	X	X	X	X	.	.
	Fastener Button (Black)	T14659-1	(As Req)	X	X	X	X	X	X	X	X	X	X	X	X	X	X
7	Selector Switch (50 Hz Only), Includes:	M10830-8	1	.	.	.	.	.	.	X	X	.	.	.	.	.	.
7	Selector Switch, Includes:	M10830-3	1	X	X	X	X	X	X	X	X	.	.	.	.	.	.
7	Selector Switch, Includes:	M10830-9	1	.	.	.	.	.	.	.	.	X	X	X	X	X	X
	Switch Shaft	S13206	1	X	X	X	X	X	X	X	X	X	X	X	X	X	X
8	Switch Handle (Black)	T13990-1	1	X	X	X	X	X	X	X	X	X	X	X	X	X	X
9	Output Lead Grommets	T9274-4	2	X	X	X	.	.	.	.	.	.	.	.	.	.	.
9A	Output Lead Clamp	S15761	1	.	.	.	X	X	X	X	X	X	X	X	X	X	X
10	Line Switch Nameplate	S12070 Ø	1	X	.	.	.	.	.	.	.	.	.	.	.	.	.
11	Line Switch	S7670	1	X	X	X	X	X	X	X	X	X	X	X	X	.	.
11	Line Switch	S18815	1	.	.	.	.	.	.	.	.	.	.	.	.	X	X
12	Transformer & Base	Not Available															
13	Cover Panel, Terminal Block	L3936-1	1	X	X	X	.	.	.	.	.	.	.	.	.	.	.
14A	Input Terminal Block	T11813 Ø	1	X	.	.	.	.	.	.	.	.	.	.	.	.	.
14B	Input Panel, 60 Hertz	T11881	1	.	X	X	.	.	.	.	.	.	.	.	.	.	.

Ø This part is obsolete and no longer available.

Use only the parts marked "X" in the column under the heading number called for in the model index page.

# Indicates a Change This Printing

ITEM	DESCRIPTION	PART NO.	QTY.	1	2	3	4	5	6	7	8	9	10	11	12	13	14
15	Back Cover	L3936	1	•	•	•	X	•	•	•	•	•	•	•	•	•	•
15	Back Cover	L4143	1	•	•	•	X	•	•	•	•	•	•	•	•	•	•
15	Back Cover	L4143-1 Ø	1	•	•	•	•	X	•	•	•	•	•	•	•	•	•
15A	Lower Back Panel	L4595	1	•	•	•	•	•	X	X	•	•	•	•	•	•	•
15A	Lower Back Panel	L4595-2	1	•	•	•	•	•	•	X	X	X	X	X	X	X	X
15B	Upper Back Panel	G1239	1	•	•	•	•	•	X	X	X	•	X	X	X	•	•
15B	Upper Back Panel	G1395	1	•	•	•	•	•	•	•	•	•	•	•	•	•	X
16A	Cover Panel	L3935-A	1	•	•	•	X	X	•	•	•	•	•	•	•	•	•
16	Electrode Cable	S11609-4	1	X	X	X	X	X	X	X	X	X	X	X	X	X	X
17	Electrode Holder	K909-1	1	X	X	X	X	X	X	X	X	X	X	X	X	X	X
18	Ground Cable	S11609-3	1	X	X	X	X	X	X	X	X	X	X	X	X	X	X
19	Headshield	M9673-6	1	X	X	X	X	X	X	X	X	X	X	X	X	X	X
20	Ground Clamp	M12033	1	X	X	X	X	X	X	X	X	X	X	X	X	X	X
28	Receptacle (230 Volts Only)	S7733 Ø	1	X	X	X	X	X	•	•	•	•	•	•	•	•	•
28	Receptacle (230 Volts Only)	S13700	1	•	•	•	•	X	X	X	X	X	X	X	X	X	•
29	Input Cord (230 Volts Only)	S13699-2 & S13700	1	X	X	X	X	X	•	•	•	•	•	•	•	•	•
29	Input Cord (230 Volts Only)	S13699-2	1	•	•	•	•	X	X	X	•	•	•	•	•	•	•
29	Input Cord (230 Volts or Less Only) (60 Hz)	S15599-1	1	•	•	•	•	•	•	•	X	X	X	X	X	X	X
29	Input Cord 230V 50 Hz (Codes 8894, 9428 & 10424 Only)	S18021	1	•	•	•	•	•	•	•	•	•	X	•	X	X	•
	<b>Undercarriage Kit</b> (Includes Items 21, 22A, 22B & 23)	Order K761	1	•	•	•	•	X	X	X	X	X	X	X	X	X	X
	<b>Parts Not Illustrated</b>																
	Warning Decal (Mounts to Case Upper Corner)	M14330	1	X	X	X	X	X	X	X	X	X	X	X	X	X	X
	Electrode Selection Decal	M14331	1	X	X	X	X	X	X	X	X	X	X	X	X	X	X
	Earth Ground Decal	T13260-4	1	X	X	X	X	X	X	X	X	X	X	X	X	X	•

Ø This part is obsolete and no longer available.

Index of Sub Assemblies  
 Sub Assembly Illustration  
 Index of Sub Assemblies  
 Sub Assembly Illustration  
 Index of Sub Assemblies  
 Sub Assembly Illustration  
 Index of Sub Assemblies  
 Sub Assembly Illustration

Use only the parts marked "X" in the column under the heading number called for in the model index page.

# Indicates a Change This Printing

ITEM	DESCRIPTION	PART NO.	QTY.	1	2	3	4	5	6	7	8	9	10	11	12	13	14
	This Page for Codes Above 11600:																
2	Fan Motor & Blade, Includes: Fan	M13539-1 M13525	1 1	X X	• •	X X	• •										
2	Fan Motor & Blade, Includes: Fan	M13539-2 M13525-1	1 1	• •	X X	• •	X X										
5	Case	L3786-14	1	X	X	X	X										
6	Nameplate (Codes 11602 & 11604)	M22165	1	X	•	X	•										
6	Nameplate (Code 11603)	M15727	1	•	X	•	•										
6	Nameplate (Code 11674)	M22167	1	•	•	•	X										
	Fastener Button (Black)	T14659-1	1	X	X	X	X										
8	Handle Assembly	T13990-1	1	X	X	X	X										
9A	Lead Clamp	S15761	1	X	X	X	X										
11	Line Switch	S18815	1	X	X	X	X										
12	Transformer & Base	<b>NSS</b>	1	X	X	X	X										
15A	Lower Case Back	L4595-2	1	X	X	X	X										
15B	Upper Case Back	G1395	1	X	X	X	X										
16	Electrode Cable	S11609-4	1	X	X	X	X										
17	Electrode Holder	K909-1	1	X	X	X	X										
18	Ground Cable	S11609-3	1	X	X	X	X										
20	Ground Clamp	M12033	1	X	X	X	X										
21	Undercarriage Kit, Includes: Wheel	K761 * S11662-3		•	•	X	•										
22	Mounting Kit, Includes:	T14160	1	•	•	X	•										
22A	Plain Washer	S9262-1	2	•	•	X	•										
22B	Push Nut	T12570	2	•	•	X	•										
22C	3/8-16 x 2.00 HHCS	CF000071	1	•	•	X	•										
23	Axle	M8809-61	1	•	•	X	•										
29	Power Input Cable (Codes 11602 & 11604)	S15599-1	1	X	•	X	•										
29	Power Input Cable (Code 11603 & 11674)	S18021	1	•	X	•	X										
30	Warning Decal (Not Shown)	M14330-3	1	X	X	X	X										
31	Electrode Selection Decal (Not Shown)	M14331	1	X	X	X	X										
32	Wiring Diagram (Not Shown) (Codes 11602 & 11604)	S15621	1	X	•	X	•										
32	Wiring Diagram (Not Shown) (Code 11603)	S16671	1	•	X	•	•										
32	Wiring Diagram (Not Shown) (Code 11674)	S28364	1	•	•	•	X										
33	Warranty Decal (Not Shown)	S22127-1	1	•	X	•	•										

\* Undercarriage Kit Optional on all Codes - Standard where indicated.

Index of Sub Assemblies  
 Part Numbers  
 Index of Sub Assemblies  
 Part Numbers  
 Index of Sub Assemblies  
 Part Numbers  
 Index of Sub Assemblies  
 Part Numbers

# NOTES

---