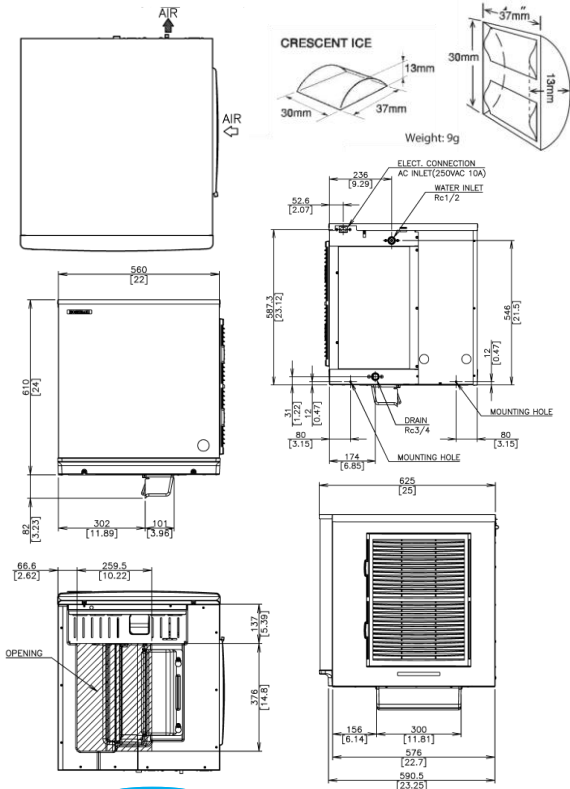




## PRODUCT FEATURES

- Individually shaped crescent ice.
- Protected by HoshiGuard Antimicrobial Agent.
- CycleSaver® technology includes a double-sided evaporator, uniquely crafted in stainless steel, which produces ice on both sides, resulting in more ice in less amount of time.
- EverCheck Control board with audible alarm and diagnostic features, designed to assist services technicians in diagnosing problems.
- Durable stainless-steel exterior.
- Easily removable & cleanable air filters on front panel.
- Ice storage bin, top kit and water filter sold separately.

## TECHNICAL DRAWING



## PRODUCT SPECIFICATION

Production Capacity / 24hrs	Approx. 175kg @ 21°C Air temp; 15°C Water Approx. 140kg @ 32°C Air temp; 21°C Water
Recommended Storage Bins	B-301 SA   B-501 SA   B-801 SA   B-1300 SS   B-1500 SS
Freeze Cycle Time	Approx. 30.5 Min (At. 21°C Air ; 15°C Water)
Ice Production / cycle	Approx. 3.7kg / 416pcs
Dimensions	560mm (W) x 625mm (D) x 610mm (H)
Cooling	Air
Weight Net/Gross (kg)	57/73
Refrigeration System	Forced Air Circulation
AC Supply Voltage	1 PHASE 220-240V 50Hz
Amperage	Running: 3.0A Starting: 25A
Refrigerant Charge	R404A/520g
<b>Operating Conditions:</b>	
Ambient Temp	7-40°C
Water Supply Temp	7-35°C
Water Supply Pressure	0.07-0.8MPa (0.7-8bar)
Voltage Range	±6%
Electrical consumption	663/806W (AT. 32°C; WT 21°C)
Water Consumption / 24hrs	Approx. 0.45/0.48m³/d(AT. 21°C ; WT 15°C)

## INSTALLATION REQUIREMENTS

- Qualified plumber required for installation.
- Included accessories & fittings pack can be found behind front panel.
- Allow 30cm clearance at rear, sides and top for proper air circulation and ease of maintenance.
- Install bin control switch according to installation manual.
- Hoshizaki recommends the use of a compatible water filter to prevent non-warrantable scale & sediment complications

\*Refer to manual for full installation & maintenance requirements.

**FACTORY WARRANTY**

Parts & Labor **3** YR  
Evaporator **5** YR  
Compressor **5** YR

For free 6 month extended warranty, register online within 4 weeks of purchase date.  
[hoshizaki.com.au](http://hoshizaki.com.au)

