



# Centrifugal Fans L-series

## AC technology

### Product overview

Quick selection	Page 388
Size 190	Page 390
Size 220	Page 394
Size 225	Page 400
Size 250	Page 404
Size 280	Page 408
Size 315	Page 410

Information

Cpro-ECblue

Vpro-ECblue

Vpro

L-series

M-series

System components

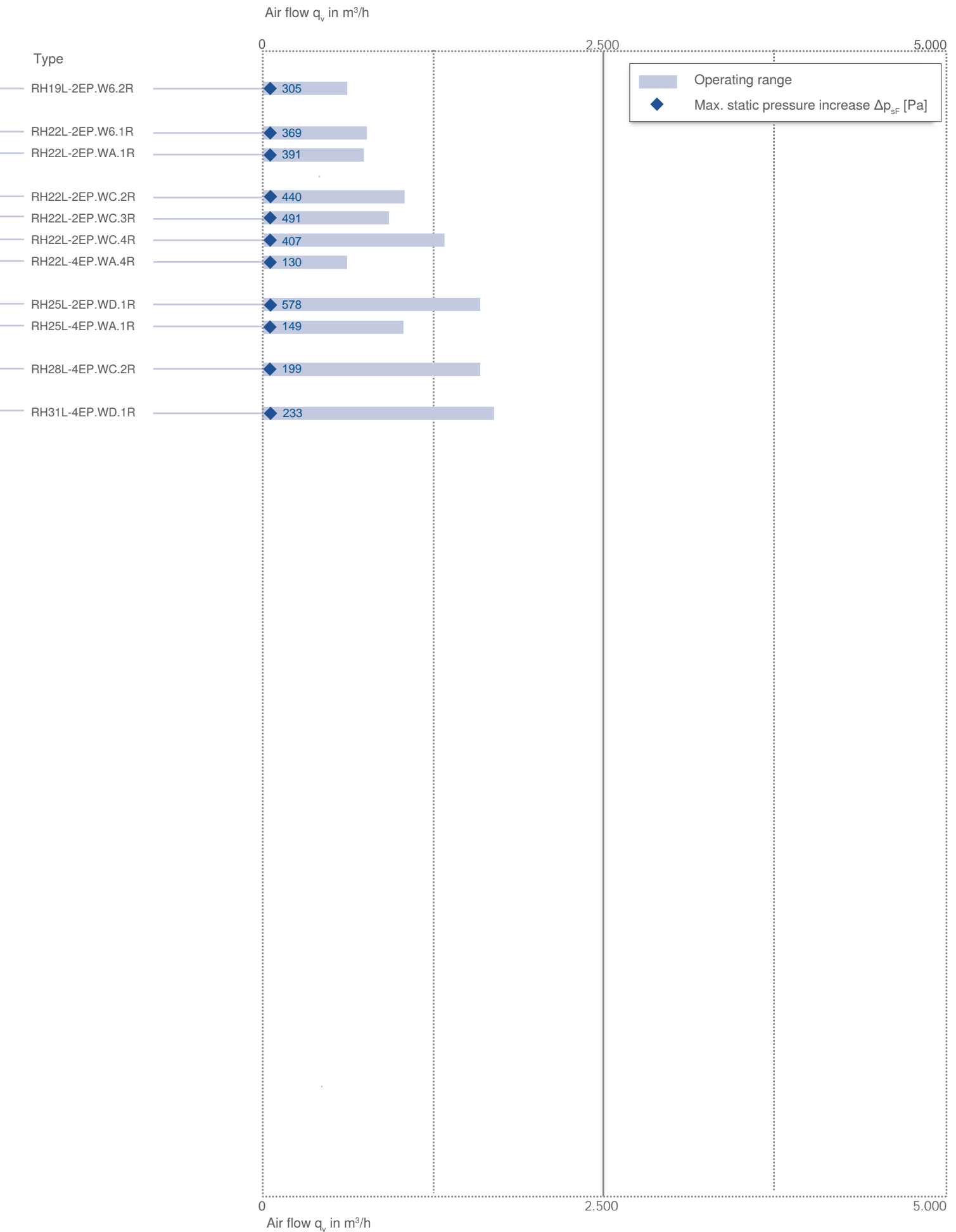
Control technology

General notes

Size	Voltage	Pole-count	Type	Impeller position	ErP	Page
190	1~ 230 V	2	RH19L-2EP.W6.1R	P	**	390
220	1~ 230 V	2	RH22L-2EP.W6.1R	P	**	392
			RH22L-2EP.WA.1R	P	**	394
225	1~ 230 V	2	RH22L-2EP.WC.2R	P	-	396
			RH22L-2EP.WC.3R	P	**	398
		4	RH22L-2EP.WC.4R	P	-	400
			RH22L-4EP.WA.4R	P	**	402
250	1~ 230 V	2	RH25L-2EP.WD.1R	P	-	404
		4	RH25L-4EP.WA.1R	P	**	406
280	1~ 230 V	4	RH28L-4EP.WC.2R	P	**	408
315	1~ 230 V	4	RH31L-4EP.WD.1R	P	-	410

\*\* Not subject to ErP regulation ( $P_1 < 125$  W)





Information

Cpro-ECblue

Vpro-ECblue

Vpro

L-series

M-series

System components

Control technology

General notes

# L-series

for single phase alternating current, 2 pole

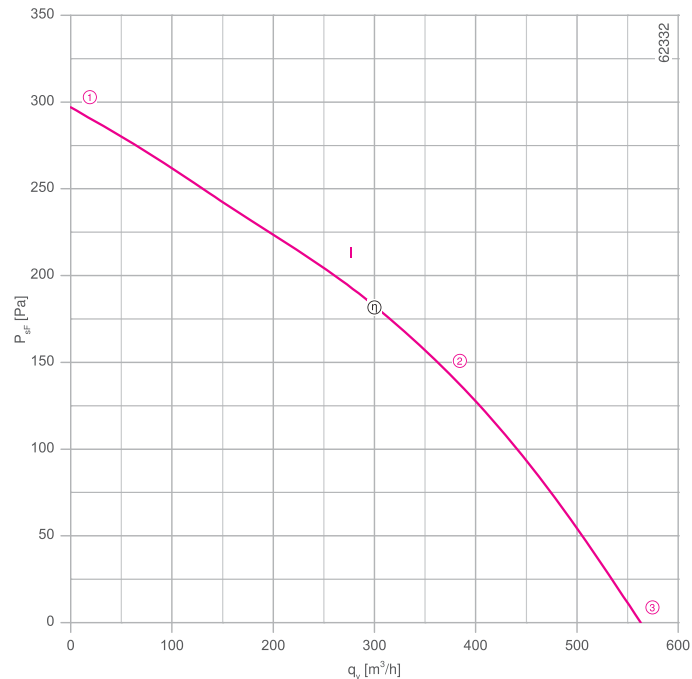
RH19L-2E



## Description

Motor technology: AC  
 Rated voltage  $U_N$ : 1~ 230 V\*  
 Rated frequency  $f_N$ : 50 Hz\* (60Hz data available)  
 Motor input power  $P_1$ : 0.07 kW\*  
 Rated current  $I_N$ : 0.29 A\*  
 Rated speed  $n_N$ : 2400 min<sup>-1</sup>\*  
 Current increase  $\Delta I$ : 0 %  
 Service capacitor  $C_{400V}$ : 2.0  $\mu$ F  
 Thermal class: **THCL130\***  
 Min. permitted ambient temperature  $t_{R(min)}$ : -30 °C  
 Max. permitted ambient temperature  $t_{R(max)}$ : 70 °C  
 Motor protection: Thermal contact  
 Impeller : High Performance Composite Material, uncoated  
 Conformity: CE  
**ErP-data**  
 Not subject to ErP regulations ( $P_1 < 125$  W)  
 \* Rated data

## Characteristic curve

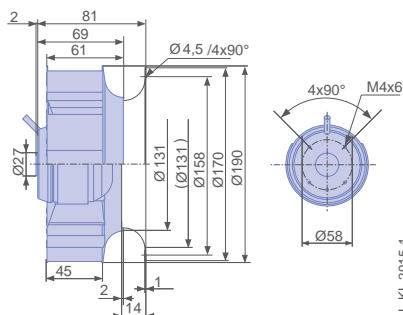


measured with inlet ring, without guard grille according to ISO 5801

- Inlet ring 00407897 Page 451
- Connection diagram 1360-177X SW Page 550
- System components Page 448

## Dimensions [mm]

Free-running motor impeller RH  
in installation position H/Vu/Vo



### Performance data

Type	Characteristic curve	Voltage	Operating point	Current	Motor input power	Speed	Suction side sound power level
		U [V]		I [A]	P <sub>1</sub> [W]	n [min <sup>-1</sup> ]	
RH19L-2EP.W6.1R	I	230	①	0.20	46	2810	
		230*	②	0.29*	65*	2400*	66
		230	③	0.26	60	2530	70


\*rated data

### Fan ordering information

Design RH\*

Installation position H/Vu/Vo

Electrical connection Supply cable variable 45cm



**Type** RH19L-2EP.W6.1R  
**Article no.** 113035

Weight [kg] 1.40  
\* Inlet ring not included

### Control technology

<p>Frequency inverter Fcontrol 1~</p>  <p>➤ Page 478</p>	<p>Motor protection units 1~</p>  <p>➤ Page 526</p>	<p>Transformer-based controllers 1~</p>  <p>➤ Page 517</p>	<p>Electronic voltage controllers 1~</p>  <p>➤ Page 492</p>
--	---	--	---



Information

Cpro-ECblue

Vpro-ECblue

Vpro

L-series

M-series

System components

Control technology

General notes

# L-series

for single phase alternating current, 2 pole

RH22L-2E



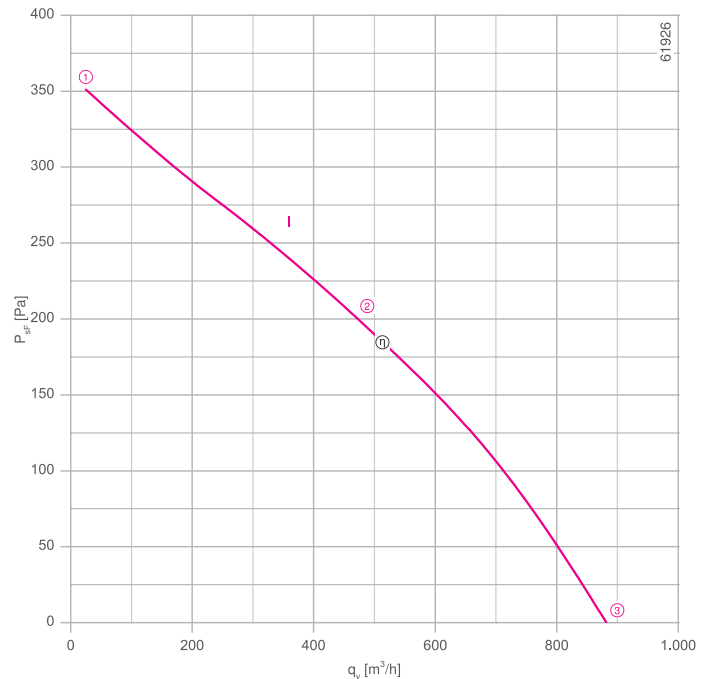
## Description

Motor technology: AC  
 Rated voltage  $U_N$ : 1~ 230 V\*  
 Rated frequency  $f_N$ : 50 Hz\* (60Hz data available)  
 Motor input power  $P_1$ : 0.10 kW\*  
 Rated current  $I_N$ : 0.43 A\*  
 Rated speed  $n_N$ : 2390 min<sup>-1</sup>\*  
 Current increase  $\Delta I$ : 0 %  
 Service capacitor  $C_{400V}$ : 3.0  $\mu$ F  
 Thermal class: **THCL155\***  
 Min. permitted ambient temperature  $t_{R(min)}$ : -40 °C  
 Max. permitted ambient temperature  $t_{R(max)}$ : 45 °C  
 Motor protection: Thermal contact  
 Impeller : High Performance Composite Material, uncoated  
 Conformity: CE

## ErP-data

Not subject to ErP regulations ( $P_1 < 125$  W)  
 \* Rated data

## Characteristic curve

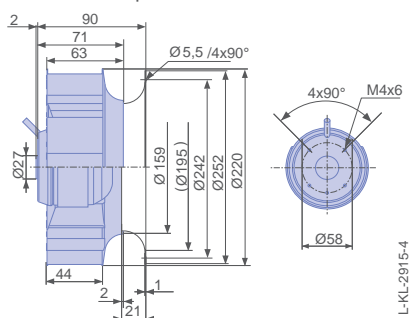


measured with inlet ring, without guard grille according to ISO 5801

- Inlet ring 00407898 Page 451
- Connection diagram 1360-177X SW Page 550
- System components Page 448

## Dimensions [mm]

Free-running motor impeller RH  
 in installation position H/Vu/Vo

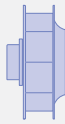


### Performance data

Type	Characteristic curve	Voltage	Operating point	Current	Motor input power	Speed	Suction side sound power level
		U [V]		I [A]	P <sub>i</sub> [W]	n [min <sup>-1</sup> ]	L <sub>WAS</sub> [dB]
RH22L-2EP.W6.1R	I	230	①	0.33	75	2760	
		230*	②	0.44*	100*	2390*	70
		230	③	0.35	80	2650	76

\*rated data

### Fan ordering information

Design	RH*
Installation position	H/Vu/Vo
Electrical connection	Supply cable variable 45cm
	
<b>Type</b>	<b>RH22L-2EP.W6.1R</b>
<b>Article no.</b>	<b>113037</b>
Weight [kg]	1.55
* Inlet ring not included	

### Control technology

Frequency inverter Fcontrol 1~  ▶ Page 478	Motor protection units 1~  ▶ Page 526	Transformer-based controllers 1~  ▶ Page 517	Electronic voltage controllers 1~  ▶ Page 492
---	--	---	--

Information

Cpro-ECblue

Vpro-ECblue

Vpro

L-series

M-series

System components

Control technology

General notes





# L-series

for single phase alternating current, 2 pole

RH22L-2E



## Description

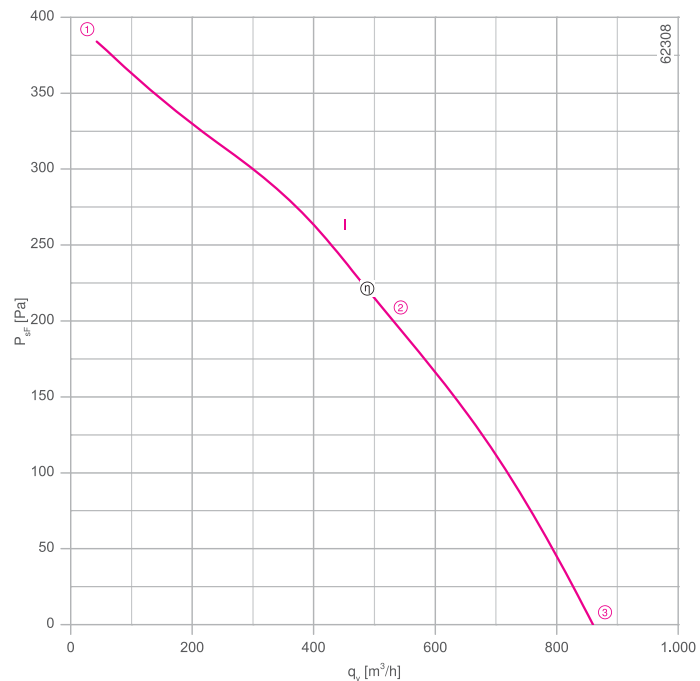
Motor technology: AC  
 Rated voltage  $U_N$ : 1~ 230 V\*  
 Rated frequency  $f_N$ : 50 Hz\* (60Hz data available)  
 Motor input power  $P_1$ : 0.10 kW\*  
 Rated current  $I_N$ : 0.44 A\*  
 Rated speed  $n_N$ : 2500 min<sup>-1</sup>\*  
 Current increase  $\Delta I$ : 0 %  
 Service capacitor  $C_{400V}$ : 2.5  $\mu$ F  
 Thermal class: **THCL130\***  
 Min. permitted ambient temperature  $t_{R(min)}$ : -30 °C  
 Max. permitted ambient temperature  $t_{R(max)}$ : 60 °C  
 Motor protection: Thermal contact  
 Impeller : High Performance Composite Material, uncoated  
 Conformity: CE

## ErP-data

Not subject to ErP regulations ( $P_1 < 125$  W)

\* Rated data

## Characteristic curve

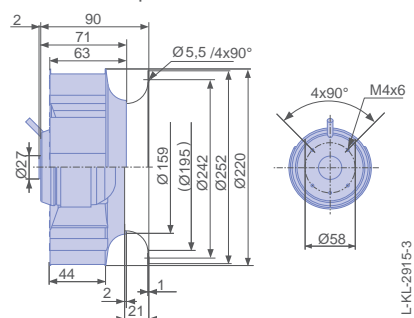


measured with inlet ring, without guard grille according to ISO 5801

- Inlet ring 00407898 Page 451
- Connection diagram 1360-177X SW Page 550
- System components Page 448

## Dimensions [mm]

Free-running motor impeller RH  
in installation position H/Vu/Vo



L-KL-291E-3

Performance data

Type	Characteristic curve	Voltage	Operating point	Current	Motor input power	Speed	Suction side sound power level
		U [V]		I [A]	P <sub>1</sub> [W]	n [min <sup>-1</sup> ]	L <sub>WAS</sub> [dB]
RH22L-2EP.WA.1R	I	230	①	0.29	65	2820	
		230*	②	0.44*	100*	2500*	72
		235	③	0.35	80	2710	77

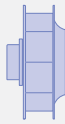
\*rated data

Fan ordering information

Design RH\*

Installation position H/Vu/Vo

Electrical connection Supply cable variable 45cm



**Type** RH22L-2EP.WA.1R  
**Article no.** 113036

Weight [kg] 1.91  
\* Inlet ring not included

Control technology

<p>Frequency inverter Fcontrol 1~</p>  <p>➤ Page 478</p>	<p>Motor protection units 1~</p>  <p>➤ Page 526</p>	<p>Transformer-based controllers 1~</p>  <p>➤ Page 517</p>	<p>Electronic voltage controllers 1~</p>  <p>➤ Page 492</p>
--	---	--	---

Information

Cpro-ECblue

Vpro-ECblue

Vpro

L-series

M-series

System components

Control technology

General notes

# L-series

for single phase alternating current, 2 pole

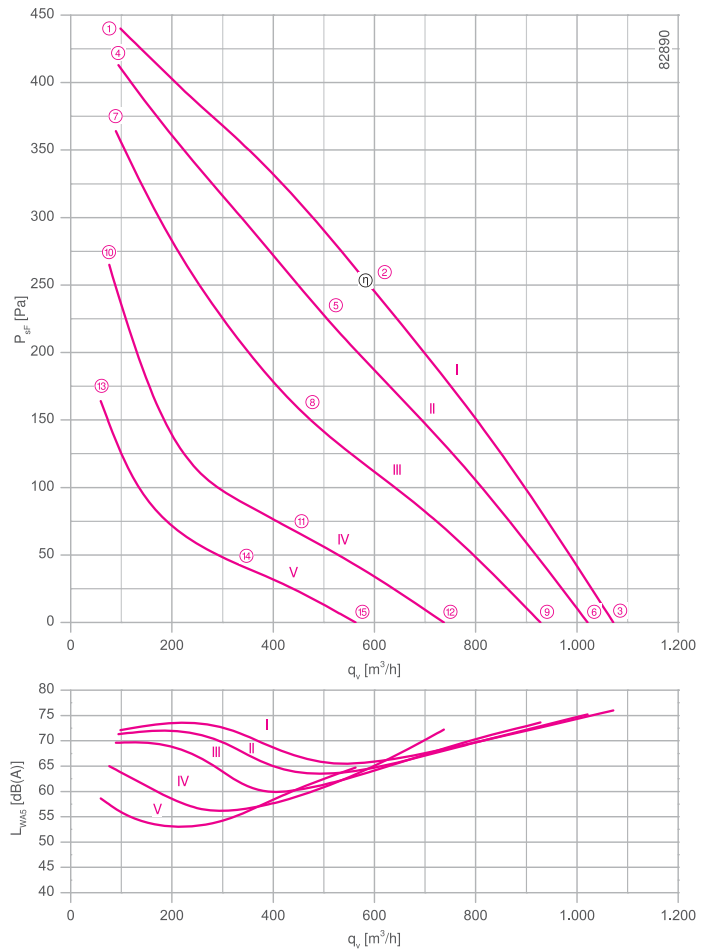
RH22L-2E



## Description

Motor technology: AC  
 Rated voltage  $U_N$ : 1~ 230 V\*  
 Rated frequency  $f_N$ : 50 Hz\* (60Hz data available)  
 Motor input power  $P_1$ : 0.12 kW\*  
 Rated current  $I_N$ : 0.54 A\*  
 Rated speed  $n_N$ : 2450 min<sup>-1</sup>\*  
 Current increase  $\Delta I$ : 0 %  
 Service capacitor  $C_{400V}$ : 4.0  $\mu F$   
 Thermal class: THCL155\*  
 Min. permitted ambient temperature  $t_{R(min)}$ : -30 °C  
 Max. permitted ambient temperature  $t_{R(max)}$ : 60 °C  
 Motor protection: Thermal contact  
 Impeller : High Performance Composite Material, uncoated  
 Conformity: CE  
**ErP-data**  
 Not subject to ErP regulations ( $P_1 < 125 W$ )  
 \* Rated data

## Characteristic curve

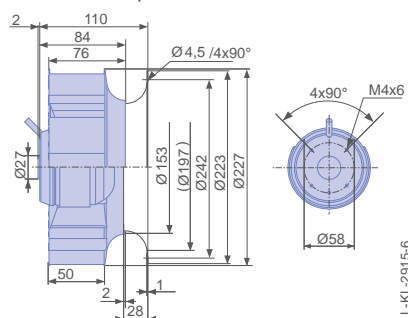


measured with inlet ring, without guard grille according to ISO 5801

- Inlet ring 00407899 Page 451
- Connection diagram 1360-177X SW Page 550
- System components Page 448

## Dimensions [mm]

Free-running motor impeller RH  
in installation position H/Vu/Vo



Performance data

Type	Characteristic curve	Voltage	Operating point	Current	Motor input power	Speed	Suction side sound power level
		U [V]		I [A]	P <sub>i</sub> [W]	n [min <sup>-1</sup> ]	L <sub>WAS</sub> [dB]
RH22L-2EP.WC.2R	I	230	①	0.42	90	2720	72
		230*	②	0.54*	120*	2450*	66
		230	③	0.46	100	2630	76
	II	200	④	0.40	80	2630	71
		200	⑤	0.54	110	2240	64
		200	⑥	0.46	90	2500	75
	III	170	⑦	0.40	65	2480	70
		170	⑧	0.52	85	1920	60
		170	⑨	0.46	75	2280	74
	IV	135	⑩	0.38	50	2110	65
		135	⑪	0.46	60	1440	57
		135	⑫	0.42	55	1820	72
	V	110	⑬	0.36	40	1670	59
		110	⑭	0.38	42	1110	53
		110	⑮	0.37	42	1390	65

\*rated data

Fan ordering information

Design RH\*  
Installation position H/Vu/Vo  
Electrical connection Supply cable variable 45cm



Type **RH22L-2EP.WC.2R**  
Article no. **161616**

Weight [kg] 2.55

\* Inlet ring not included

Control technology

<p>Frequency inverter Fcontrol 1~</p> <p>➤ Page 478</p>	<p>Motor protection units 1~</p> <p>➤ Page 526</p>	<p>Transformer-based controllers 1~</p> <p>➤ Page 517</p>	<p>Electronic voltage controllers 1~</p> <p>➤ Page 492</p>
---	--	---	--

# L-series

for single phase alternating current, 2 pole

RH22L-2E



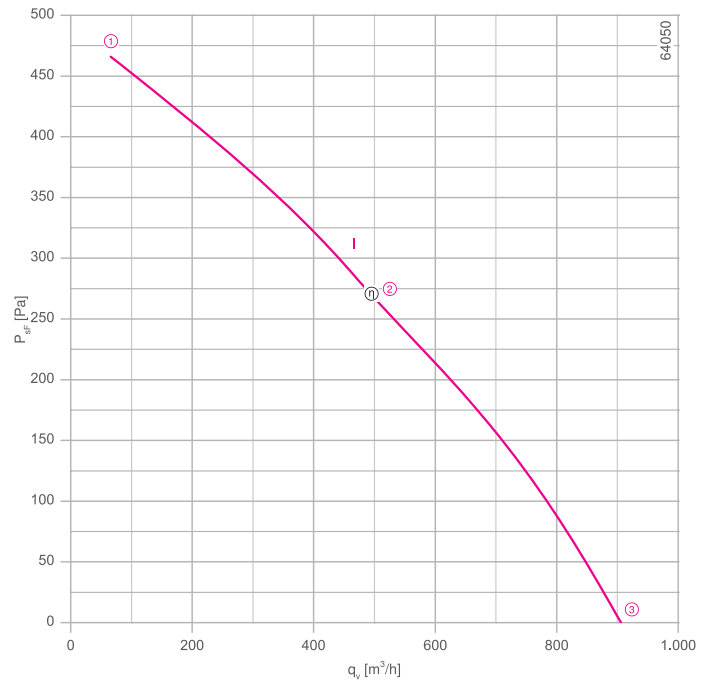
## Description

Motor technology: AC  
 Rated voltage  $U_N$ : 1~ 230 V\*  
 Rated frequency  $f_N$ : 50 Hz\* (60Hz data available)  
 Motor input power  $P_1$ : 0.11 kW\*  
 Rated current  $I_N$ : 0.48 A\*  
 Rated speed  $n_N$ : 2560 min<sup>-1</sup>\*  
 Current increase  $\Delta I$ : 5 %  
 Service capacitor  $C_{400V}$ : 3.0  $\mu$ F  
 Thermal class: **THCL130**\*  
 Min. permitted ambient temperature  $t_{R(min)}$ : -30 °C  
 Max. permitted ambient temperature  $t_{R(max)}$ : 70 °C  
 Motor protection: Thermal contact  
 Impeller : Galvanised sheet metal, uncoated  
 Conformity: CE

## ErP-data

Not subject to ErP regulations ( $P_1 < 125$  W)  
 \* Rated data

## Characteristic curve

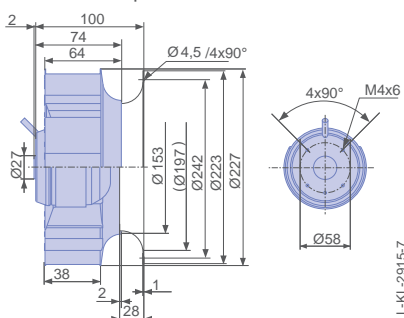


measured with inlet ring, without guard grille according to ISO 5801

- Inlet ring 00407899 Page 451
- Connection diagram 1360-177X SW Page 550
- System components Page 448

## Dimensions [mm]

Free-running motor impeller RH  
 in installation position H/Vu/Vo



L-KL-2915-7



Performance data

Type	Characteristic curve	Voltage	Operating point	Current	Motor input power	Speed	Suction side sound power level
		U [V]		I [A]	P <sub>i</sub> [W]	n [min <sup>-1</sup> ]	L <sub>WAS</sub> [dB]
RH22L-2EP.WC.3R	I	230	①	0.32	70	2820	
		230*	②	0.48*	110*	2560*	68
		230	③	0.39	90	2720	77

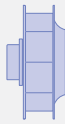
\*rated data

Fan ordering information

Design RH\*

Installation position H/Vu/Vo

Electrical connection Supply cable variable 45cm



**Type** RH22L-2EP.WC.3R  
**Article no.** 113039

Weight [kg] 2.50

\* Inlet ring not included

Control technology

<p>Frequency inverter Fcontrol 1~</p>  <p>➤ Page 478</p>	<p>Motor protection units 1~</p>  <p>➤ Page 526</p>	<p>Transformer-based controllers 1~</p>  <p>➤ Page 517</p>	<p>Electronic voltage controllers 1~</p>  <p>➤ Page 492</p>
--	---	--	--

# L-series

for single phase alternating current, 2 pole

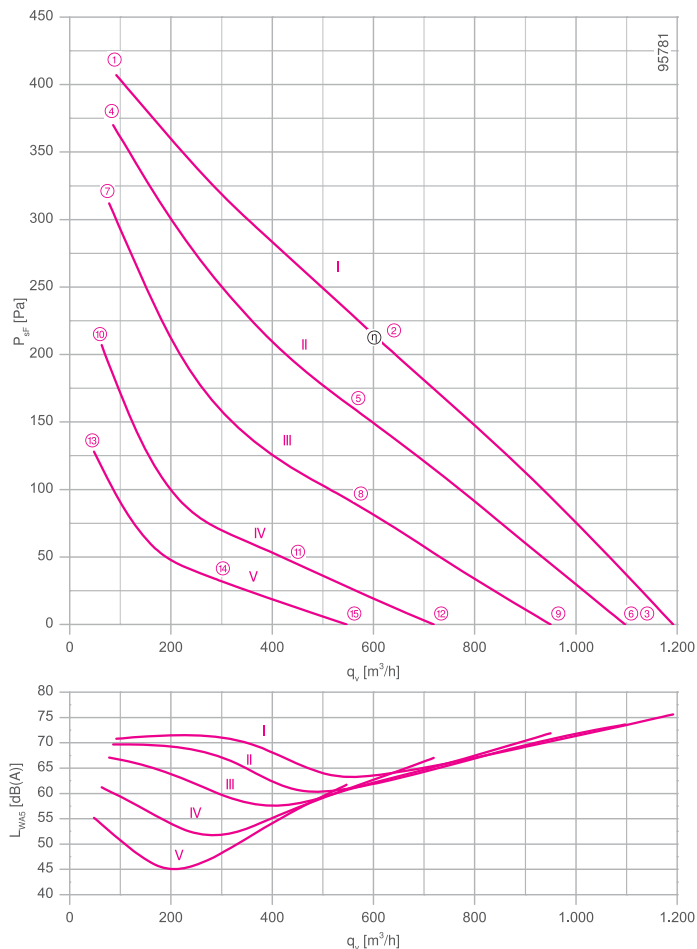
RH22L-2E



## Description

Motor technology: AC  
 Rated voltage  $U_N$ : 1~ 230 V\*  
 Rated frequency  $f_N$ : 50 Hz\* (60Hz data available)  
 Motor input power  $P_1$ : 0.12 kW\*  
 Rated current  $I_N$ : 0.52 A\*  
 Rated speed  $n_N$ : 2180 min<sup>-1</sup>\*  
 Current increase  $\Delta I$ : 0 %  
 Service capacitor  $C_{400V}$ : 4.0  $\mu$ F  
 Thermal class: **THCL155**\*  
 Min. permitted ambient temperature  $t_{R(min)}$ : -40 °C  
 Max. permitted ambient temperature  $t_{R(max)}$ : 70 °C  
 Motor protection: Thermal contact  
 Impeller : Galvanized sheet metal, uncoated  
 Conformity: CE  
**ErP-data**  
 Not subject to ErP regulations ( $P_1 < 125$  W)  
 \* Rated data

## Characteristic curve

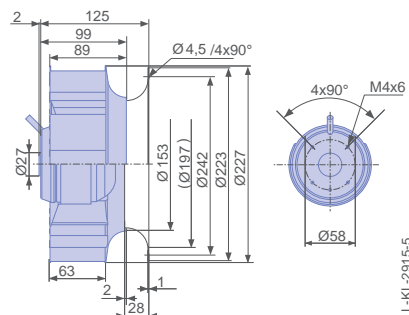


measured with inlet ring, without guard grille according to ISO 5801

- Inlet ring 00407899 Page 451
- Connection diagram 1360-177X SW Page 550
- System components Page 448

## Dimensions [mm]

Free-running motor impeller RH  
in installation position H/Vu/Vo



Performance data

Type	Characteristic curve	Voltage	Operating point	Current	Motor input power	Speed	Suction side sound power level
		U [V]		I [A]	P <sub>i</sub> [W]	n [min <sup>-1</sup> ]	L <sub>WAS</sub> [dB]
RH22L-2EP.WC.4R	I	230	①	0.39	85	2610	71
		230*	②	0.52*	120*	2180*	64
		230	③	0.46	100	2430	76
	II	200	④	0.39	75	2490	70
		200	⑤	0.50	100	1940	61
		200	⑥	0.46	90	2240	74
	III	170	⑦	0.38	60	2290	67
		170	⑧	0.46	80	1600	58
		170	⑨	0.44	75	1950	72
	IV	135	⑩	0.35	48	1870	61
		135	⑪	0.40	55	1200	52
		135	⑫	0.38	50	1480	67
	V	110	⑬	0.31	34	1470	55
		110	⑭	0.33	36	940	46
		110	⑮	0.33	36	1130	62

\*rated data

Fan ordering information

Design RH\*  
 Installation position H/Vu/Vo  
 Electrical connection Supply cable variable 45cm



Type **RH22L-2EP.WC.4R**  
 Article no. **161615**

Weight [kg] 2.64

\* Inlet ring not included

Control technology

<p>Frequency inverter Fcontrol 1~</p>  <p>➤ Page 478</p>	<p>Motor protection units 1~</p>  <p>➤ Page 526</p>	<p>Transformer-based controllers 1~</p>  <p>➤ Page 517</p>	<p>Electronic voltage controllers 1~</p>  <p>➤ Page 492</p>
---	--	---	--



# L-series

for single phase alternating current, 4 pole

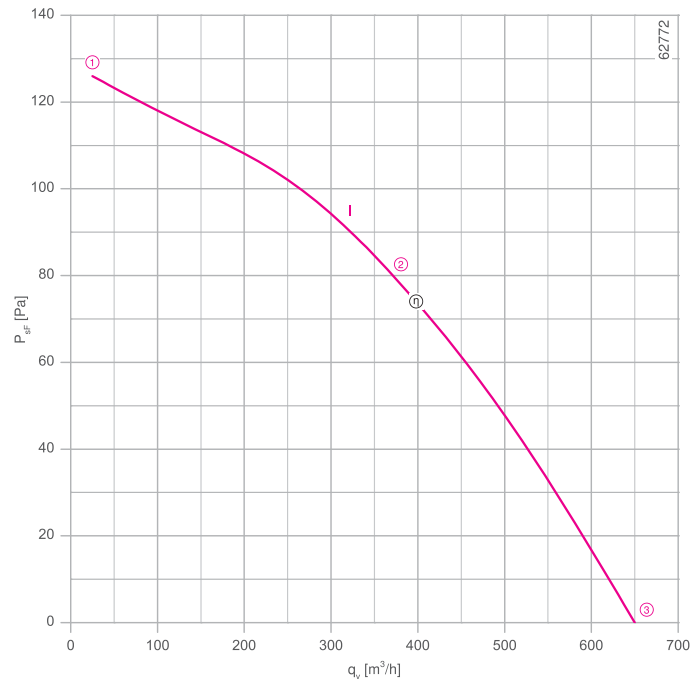
RH22L-4E



## Description

Motor technology: AC  
 Rated voltage  $U_N$ : 1~ 230 V\*  
 Rated frequency  $f_N$ : 50 Hz\* (60Hz data available)  
 Motor input power  $P_1$ : 0.04 kW\*  
 Rated current  $I_N$ : 0.22 A\*  
 Rated speed  $n_N$ : 1350 min<sup>-1</sup>\*  
 Current increase  $\Delta I$ : 0 %  
 Service capacitor  $C_{400V}$ : 1.5  $\mu$ F  
 Dynamic pressure:  $p_{d2} = 2.4 \cdot 10^{-5} \cdot q_v^2$  [Pa]  
 Thermal class: **THCL130**\*  
 Min. permitted ambient temperature  $t_{R(min)}$ : -30 °C  
 Max. permitted ambient temperature  $t_{R(max)}$ : 50 °C  
 Motor protection: Thermal contact  
 Impeller : Galvanised sheet metal, uncoated  
 Conformity: CE  
**ErP-data**  
 Not subject to ErP regulations ( $P_1 < 125$  W)  
 \* Rated data

## Characteristic curve

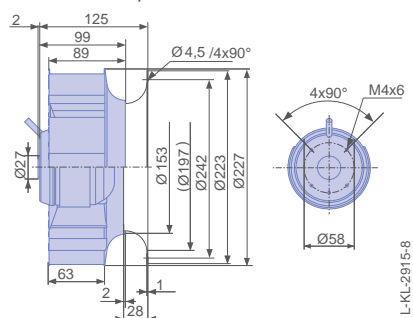


measured with inlet ring, without guard grille according to ISO 5801

- Inlet ring 00407899 Page 451
- Connection diagram 1360-177X SW Page 550
- System components Page 448

## Dimensions [mm]

Free-running motor impeller RH  
in installation position H/Vu/Vo

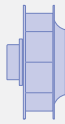


### Performance data

Type	Characteristic curve	Voltage	Operating point	Current	Motor input power	Speed	Suction side sound power level
		U [V]		I [A]	P <sub>i</sub> [W]	n [min <sup>-1</sup> ]	L <sub>WAS</sub> [dB]
RH22L-4EP.WA.4R	I	230	①	0.21	38	1430	
		230*	②	0.22*	44*	1350*	55
		230	③	0.21	40	1390	64

\*rated data

### Fan ordering information

Design	RH*
Installation position	H/Vu/Vo
Electrical connection	Supply cable variable 45cm
	
<b>Type</b>	<b>RH22L-4EP.WA.4R</b>
<b>Article no.</b>	<b>113040</b>
Weight [kg]	2.16
* Inlet ring not included	

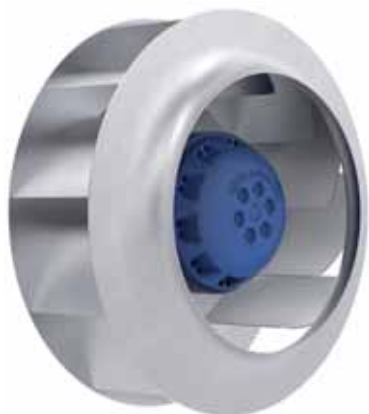
### Control technology

Frequency inverter Fcontrol 1~  ▶ Page 478	Motor protection units 1~  ▶ Page 526	Transformer-based controllers 1~  ▶ Page 517	Electronic voltage controllers 1~  ▶ Page 492
---	--	---	--

# L-series

for single phase alternating current, 2 pole

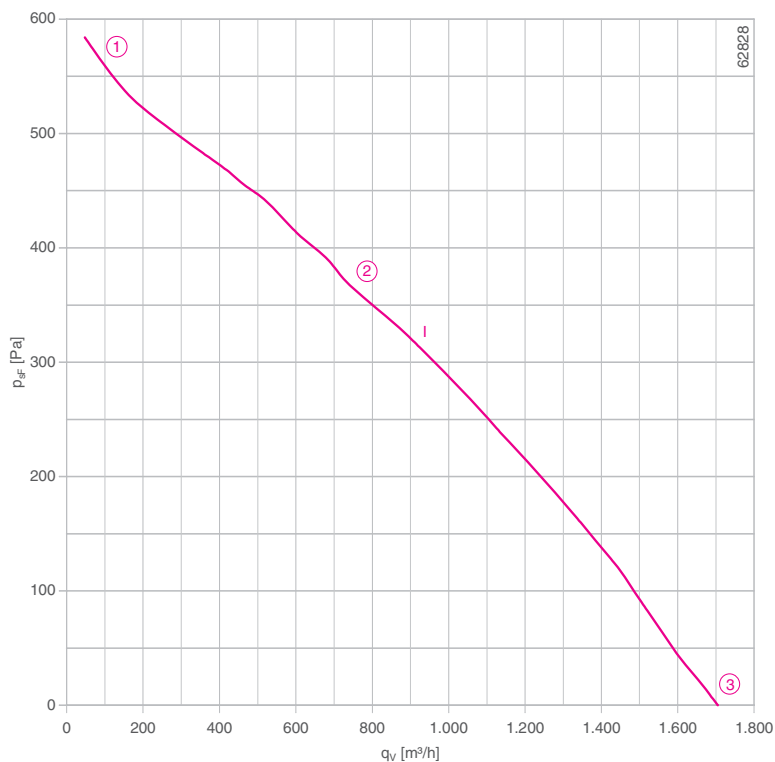
RH25L-2E



## Description

Motor technology: AC  
 Rated voltage  $U_N$ : 1~ 230 V\*  
 Rated frequency  $f_N$ : 50 Hz\* (60Hz data available)  
 Motor input power  $P_1$ : 0.21 kW\*  
 Rated current  $I_N$ : 0.94 A\*  
 Rated speed  $n_N$ : 2450 min<sup>-1</sup>\*  
 Current increase  $\Delta I$ : 0 %  
 Service capacitor  $C_{400V}$ : 8.0  $\mu F$   
 Dynamic pressure:  $p_{d2} = 2.5 \cdot 10^{-5} \cdot q_v^2$  [Pa]  
 Thermal class: **THCL130**\*  
 Min. permitted ambient temperature  $t_{R(min)}$ : -30 °C  
 Max. permitted ambient temperature  $t_{R(max)}$ : 50 °C  
 Motor protection: Thermal contact  
 Impeller : Galvanised sheet metal, uncoated  
 \* Rated data

## Characteristic curve

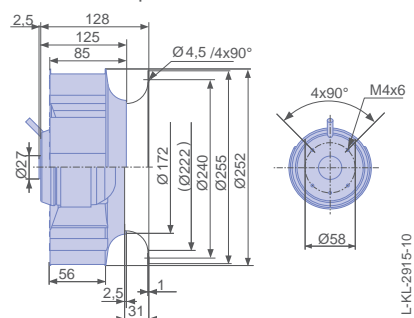


measured with inlet ring, without guard grille according to ISO 5801

- Inlet ring 00407900 Page 451
- Connection diagram 1360-177X SW Page 550
- System components Page 448

## Dimensions [mm]

Free-running motor impeller RH  
in installation position H/Vu/Vo



Performance data

Type	Characteristic curve	Voltage	Operating point	Current	Motor input power	Speed	Suction side sound power level
		U [V]		I [A]	P <sub>i</sub> [W]	n [min <sup>-1</sup> ]	L <sub>WAS</sub> [dB]
RH25L-2EP.WD.1R	I	230	①	0.61	135	2770	
		230*	②	0.94*	210*	2450*	71
		230	③	0.74	165	2660	80

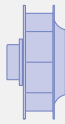
\*rated data

Fan ordering information

Design RH\*

Installation position H/Vu/Vo

Electrical connection Supply cable variable 45cm



**Type** RH25L-2EP.WD.1R  
**Article no.** 113044

Weight [kg] 3.07  
\* Inlet ring not included

Control technology

<p>Frequency inverter Fcontrol 1~</p>  <p>➤ Page 478</p>	<p>Motor protection units 1~</p>  <p>➤ Page 526</p>	<p>Transformer-based controllers 1~</p>  <p>➤ Page 517</p>	<p>Electronic voltage controllers 1~</p>  <p>➤ Page 492</p>
--	---	--	--

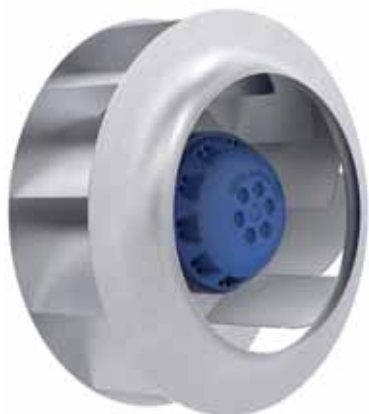


- Information
- Cpro-ECblue
- Vpro-ECblue
- Vpro
- L-series
- M-series
- System components
- Control technology
- General notes

# L-series

for single phase alternating current, 4 pole

RH25L-4E



## Description

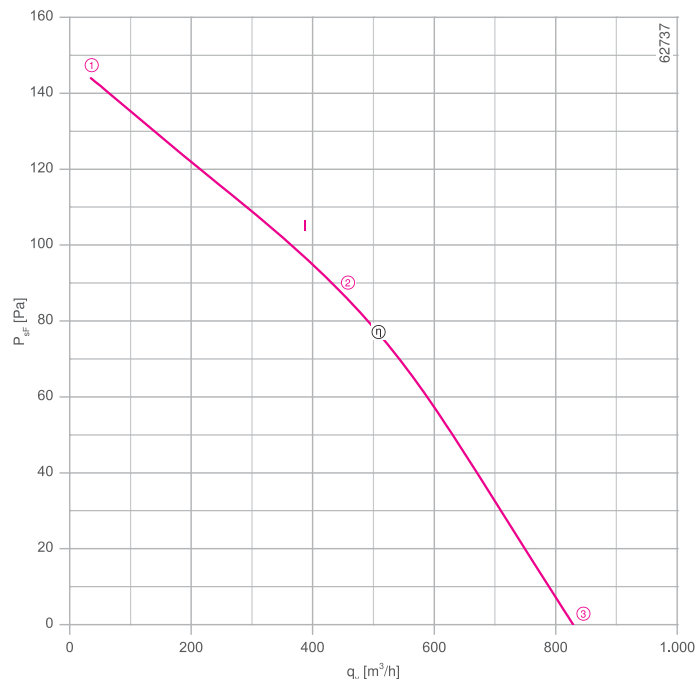
Motor technology: AC  
 Rated voltage  $U_N$ : 1~ 230 V\*  
 Rated frequency  $f_N$ : 50 Hz\* (60Hz data available)  
 Motor input power  $P_1$ : 0.05 kW\*  
 Rated current  $I_N$ : 0.24 A\*  
 Rated speed  $n_N$ : 1280 min<sup>-1</sup>\*  
 Current increase  $\Delta I$ : 0 %  
 Service capacitor  $C_{400V}$ : 1.5  $\mu$ F  
 Thermal class: **THCL155**\*  
 Min. permitted ambient temperature  $t_{R(min)}$ : -40 °C  
 Max. permitted ambient temperature  $t_{R(max)}$ : 70 °C  
 Motor protection: Thermal contact  
 Impeller : Galvanised sheet metal, uncoated  
 Conformity: CE

### ErP-data

Not subject to ErP regulations ( $P_1 < 125$  W)

\* Rated data

## Characteristic curve

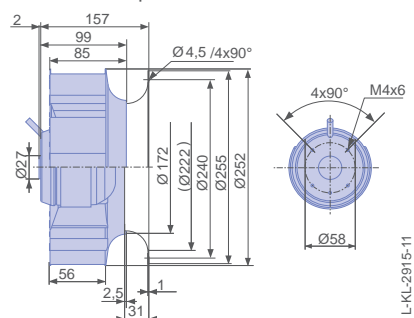


measured with inlet ring, without guard grille according to ISO 5801

- Inlet ring 00407900 Page 451
- Connection diagram 1360-177X SW Page 550
- System components Page 448

## Dimensions [mm]

Free-running motor impeller RH  
 in installation position H/Vu/Vo



### Performance data

Type	Characteristic curve	Voltage	Operating point	Current	Motor input power	Speed	Suction side sound power level
		U [V]		I [A]	P <sub>1</sub> [W]	n [min <sup>-1</sup> ]	
RH25L-4EP.WA.1R	I	230	①	0.21	40	1400	
		230*	②	0.24*	50*	1280*	55
		230	③	0.22	44	1360	68


\*rated data

### Fan ordering information

Design RH\*

Installation position H/Vu/Vo

Electrical connection Supply cable variable 45cm



**Type** RH25L-4EP.WA.1R  
**Article no.** 113042

Weight [kg] 2.22

\* Inlet ring not included

### Control technology

<p>Frequency inverter Fcontrol 1~</p>  <p>➤ Page 478</p>	<p>Motor protection units 1~</p>  <p>➤ Page 526</p>	<p>Transformer-based controllers 1~</p>  <p>➤ Page 517</p>	<p>Electronic voltage controllers 1~</p>  <p>➤ Page 492</p>
--	---	--	---

Information

Cpro-ECblue

Vpro-ECblue

Vpro

L-series

M-series

System components

Control technology

General notes



# L-series

for single phase alternating current, 4 pole

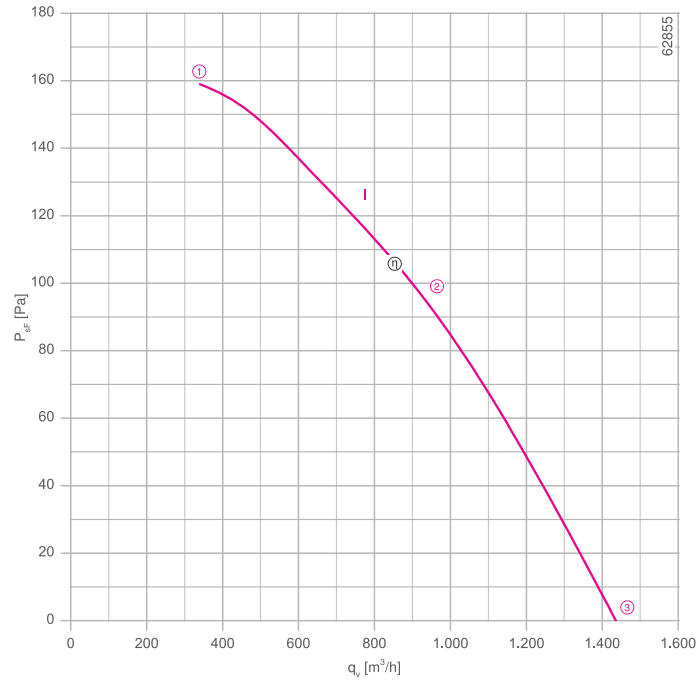
RH28L-4E



## Description

Motor technology: AC  
 Rated voltage  $U_N$ : 1~ 230 V\*  
 Rated frequency  $f_N$ : 50 Hz\* (60Hz data available)  
 Motor input power  $P_1$ : 0.09 kW\*  
 Rated current  $I_N$ : 0.42 A\*  
 Rated speed  $n_N$ : 1250 min<sup>-1</sup>\*  
 Current increase  $\Delta I$ : 0 %  
 Service capacitor  $C_{400V}$ : 2.5  $\mu$ F  
 Dynamic pressure:  $p_{d2} = 9.4 \cdot 10^{-6} \cdot q_v^2$  [Pa]  
 Thermal class: **THCL155**\*  
 Min. permitted ambient temperature  $t_{R(min)}$ : -40 °C  
 Max. permitted ambient temperature  $t_{R(max)}$ : 45 °C  
 Motor protection: Thermal contact  
 Impeller : Galvanised sheet metal, uncoated  
 Conformity: CE  
**ErP-data**  
 Not subject to ErP regulations ( $P_1 < 125$  W)  
 \* Rated data

## Characteristic curve

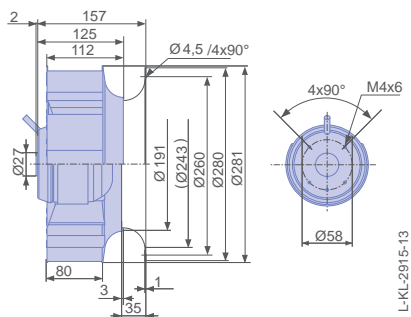


measured with inlet ring, without guard grille according to ISO 5801

- Inlet ring 00407901 Page 451
- Connection diagram 1360-177X SW Page 550
- System components Page 448

## Dimensions [mm]

Free-running motor impeller RH  
in installation position H/Vu/Vo



Performance data

Type	Characteristic curve	Voltage	Operating point	Current	Motor input power	Speed	Suction side sound power level
		U [V]		I [A]	P <sub>i</sub> [W]	n [min <sup>-1</sup> ]	L <sub>WAS</sub> [dB]
RH28L-4EP.WC.2R	I	230	①	0.37	80	1320	
		230*	②	0.42*	90*	1250*	62
		230	③	0.36	80	1340	68

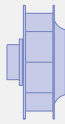
\*rated data

Fan ordering information

Design RH\*

Installation position H/Vu/Vo

Electrical connection Supply cable variable 45cm



**Type** RH28L-4EP.WC.2R  
**Article no.** 113046

Weight [kg] 2.92

\* Inlet ring not included

Control technology

<p>Frequency inverter Fcontrol 1~</p>  <p>➤ Page 478</p>	<p>Motor protection units 1~</p>  <p>➤ Page 526</p>	<p>Transformer-based controllers 1~</p>  <p>➤ Page 517</p>	<p>Electronic voltage controllers 1~</p>  <p>➤ Page 492</p>
--	---	--	--

Information

Cpro-ECblue

Vpro-ECblue

Vpro

L-series

M-series

System components

Control technology

General notes



# L-series

for single phase alternating current, 4 pole

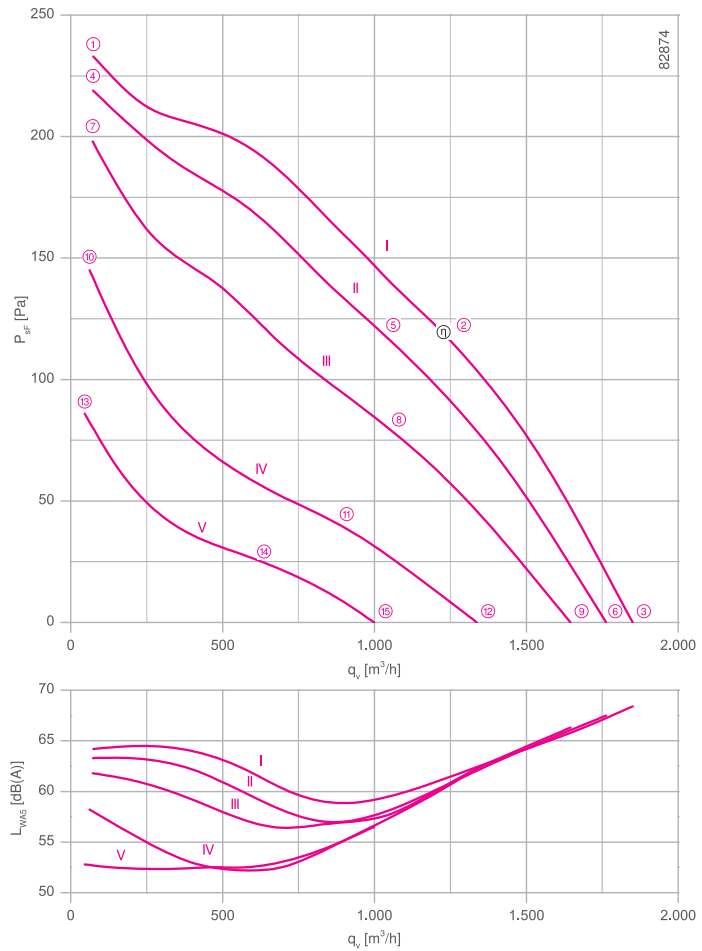
RH31L4E



## Description

Motor technology: AC  
 Rated voltage  $U_N$ : 1~ 230 V\*  
 Rated frequency  $f_N$ : 50 Hz\* (60Hz data available)  
 Motor input power  $P_1$ : 0.12 kW\*  
 Rated current  $I_N$ : 0.55 A\*  
 Rated speed  $n_N$ : 1250 min<sup>-1</sup>\*  
 Current increase  $\Delta I$ : 0 %  
 Service capacitor  $C_{400V}$ : 5.0  $\mu$ F  
 Thermal class: **THCL155\***  
 Min. permitted ambient temperature  $t_{R(min)}$ : -40 °C  
 Max. permitted ambient temperature  $t_{R(max)}$ : 40 °C  
 Motor protection: Thermal contact  
 Impeller : Galvanised sheet metal, uncoated  
 Conformity: CE  
**ErP-data**  
 Not subject to ErP regulations ( $P_1 < 125$  W)  
 \* Rated data

## Characteristic curve

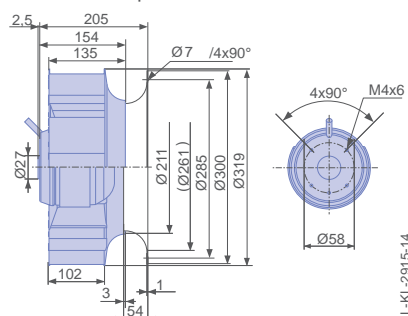


measured with inlet ring, without guard grille according to ISO 5801

- Inlet ring 00335943 Page 451
- Connection diagram 1360-177X SW Page 550
- System components Page 448

## Dimensions [mm]

Free-running motor impeller RH  
 in installation position H/Vu/Vo



L-KL-2915-14

Performance data

Type	Characteristic curve	Voltage	Operating point	Current	Motor input power	Speed	Suction side sound power level
		U [V]		I [A]	P <sub>i</sub> [W]	n [min <sup>-1</sup> ]	L <sub>WAS</sub> [dB]
RH31L-4EP.WD.1R	I	230	①	0.46	100	1360	64
		230*	②	0.54*	120*	1250*	59
		230	③	0.48	100	1330	68
	II	200	④	0.40	80	1320	63
		200	⑤	0.52	100	1170	57
		200	⑥	0.44	85	1280	68
	III	170	⑦	0.39	65	1260	62
		170	⑧	0.50	85	1030	57
		170	⑨	0.42	75	1200	66
	IV	135	⑩	0.39	50	1080	58
		135	⑪	0.46	60	770	52
		135	⑫	0.42	55	980	62
	V	110	⑬	0.36	40	840	53
		110	⑭	0.39	42	590	52
		110	⑮	0.37	40	740	57

\*rated data

Fan ordering information

Design RH\*  
Installation position H/Vu/Vo  
Electrical connection Supply cable variable 45cm



Type **RH31L-4EP.WD.1R**  
Article no. **161617**

Weight [kg] 4.50

\* Inlet ring not included

Control technology

<p>Frequency inverter Fcontrol 1~</p>  <p>➤ Page 478</p>	<p>Motor protection units 1~</p>  <p>➤ Page 526</p>	<p>Transformer-based controllers 1~</p>  <p>➤ Page 517</p>	<p>Electronic voltage controllers 1~</p>  <p>➤ Page 492</p>
---	--	---	--