

Cpro-ECblue

for three phase alternating current, 200-240 V

RH45C-ZID



Description

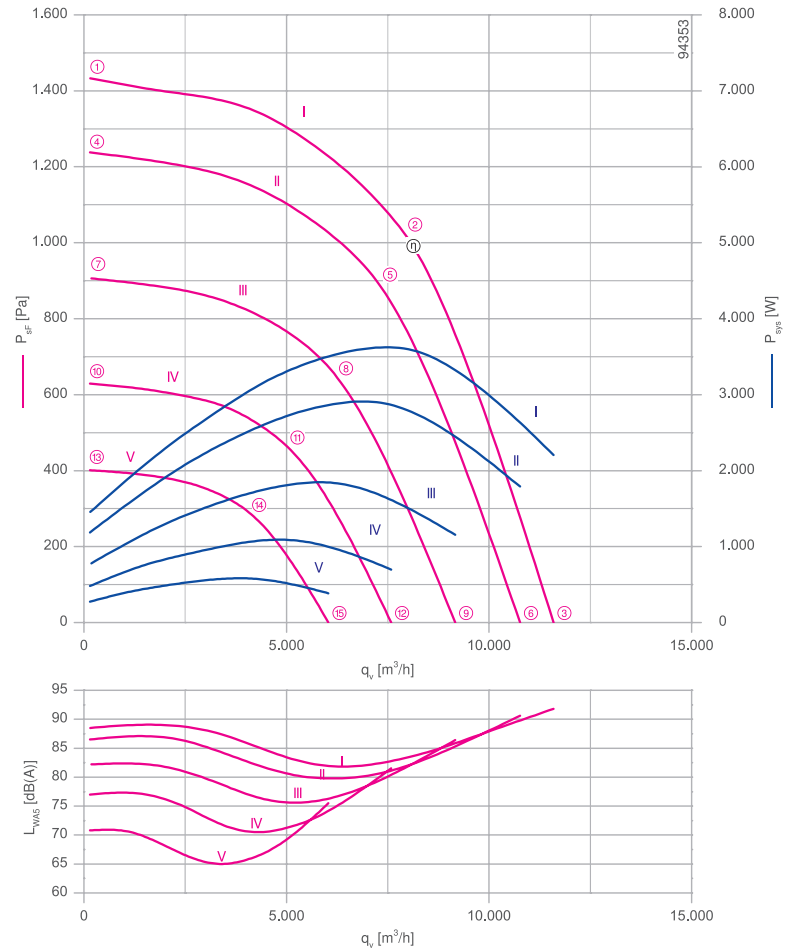
Motor technology: EC
 Rated voltage U: **3-200-240 V***
 Rated frequency f: **50/60 Hz***
 Motor input power P: **3.60 kW***
 Rated current I: **11.00-9.20 A***
 Rated speed n: **2260 min⁻¹***
 Thermal class: **THCL155***
 Min. permitted ambient temperature t_{r1} : -20 °C
 Max. permitted ambient temperature t_{r2} at n_{max} : 55 °C
 Electrical connection: integrated Controller
 Number of blades : 7
 Balancing quality: G 2.5
 Protection class: IP54
 Motor protection: Integrated active temperature management
 Impeller : ZAmid, uncoated, Ultramarine blue
 Conformity: ErP 2015, CE

ErP-data

Efficiency η_{statA} : 67.1 %
 Efficiency: $N_{actual} = 71.8 / N_{target} = 62^{**}$
 EC controller integrated

*Rated data
 **ErP 2015

Characteristic curve

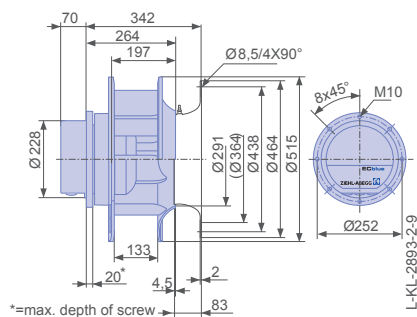


measured with inlet ring, without guard grille according to ISO 5801

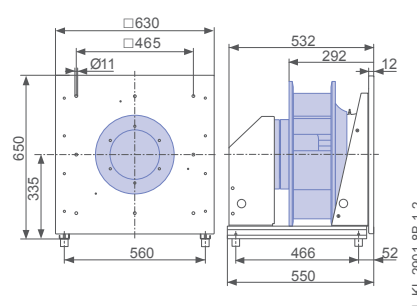
➤ Inlet ring	00401298	Page 450
➤ Connection diagram	1360-401	Page 548
➤ Rubber dampers	30x30 / 40	Page 454
➤ Spring vibration dampers	MSN 5	Page 454
➤ System components		Page 448

Dimensions [mm]

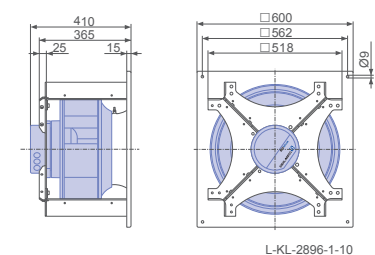
Free-running motor impeller RH in installation position H/Vu/Vo



Plug fan ER in installation position H



Ventilation unit GR in installation position H

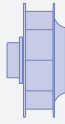
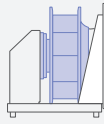
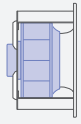
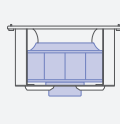
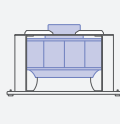


Performance data


Type	Characteristic curve	Speed	Operating point	Current	Motor input power	Suction side sound power level	Maximum ambient temperature
		n [min ⁻¹]		I [A]	P _{sys} [W]	L _{WAS} [dB]	
_45C-ZID.GG.CR	I	2260	①	3.80	1450	89	55
		2260	②	9.60	3600	83	
		2260	③	5.80	2200	92	
	II	2100	④	3.10	1200	87	60
		2100	⑤	7.60	2900	81	
		2100	⑥	4.80	1800	91	
	III	1800	⑦	2.10	780	82	
		1800	⑧	4.80	1850	77	
		1800	⑨	3.10	1150	86	
	IV	1500	⑩	1.35	480	77	
		1500	⑪	2.90	1100	71	
		1500	⑫	1.85	700	82	
	V	1200	⑬	0.82	270	71	
		1200	⑭	1.60	580	66	
		1200	⑮	1.10	390	76	

Current values determined at 230V

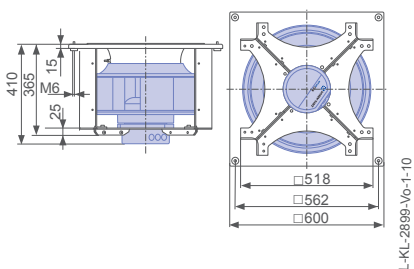
Fan ordering information

Design	RH*	ER**	GR**	GR**	GR**
Installation position	H/Vu/Vo	H	H	Vo	Vu
					
Type	RH45C-ZID.GG.CR	ER45C-ZID.GG.CR	GR45C-ZID.GG.CR	GR45C-ZID.GG.CR	GR45C-ZID.GG.CR
Basic electronics					
Article no.	114613	114667/A01	114647/H01	114647/O01	114647/U01
Premium electronics					
Article no.	114614				
Weight [kg]	22.00	43.00	41.00	41.00	41.00
* Inlet ring not included					
** Inlet ring integrated					

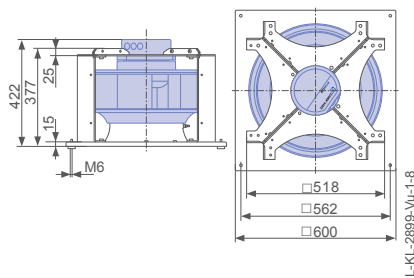
Control technology

Control module	Operating terminal	Expansion module
		
➤ Page 464	➤ Page 476	➤ Page 473

Ventilation unit GR in installation position Vo



Ventilation unit GR in installation position Vu



Cpro-ECblue

for three phase alternating current, 380-480 V

RH45C-ZID



Description

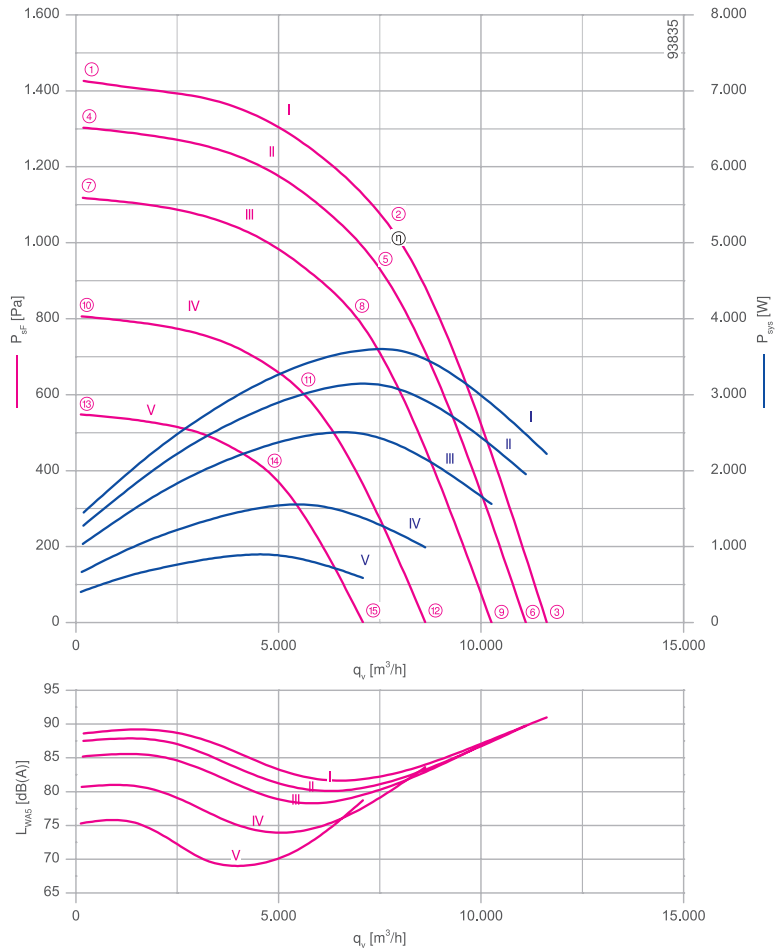
Motor technology: EC
 Rated voltage U: **3-380-480 V***
 Rated frequency f: **50/60 Hz***
 Motor input power P: **3.60 kW***
 Rated current I: **5.80-4.60 A***
 Rated speed n: **2260 min⁻¹***
 Thermal class: **THCL155***
 Min. permitted ambient temperature t_{r1} : -20 °C
 Max. permitted ambient temperature t_{r2} at n_{max} : 55 °C
 Electrical connection: integrated Controller
 Number of blades : 7
 Balancing quality: G 2.5
 Protection class: IP54
 Motor protection: Integrated active temperature management
 Impeller : ZAmid, uncoated, Ultramarine blue
 Conformity: ErP 2015, CE

ErP-data

Efficiency η_{statA} : 67.1 %
 Efficiency: $N_{actual} = 71.8 / N_{target} = 62^{**}$
 EC controller integrated

*Rated data
 **ErP 2015

Characteristic curve

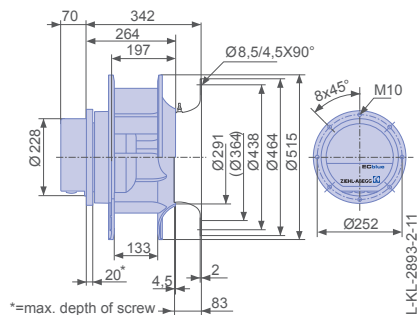


measured with inlet ring, without guard grille according to ISO 5801

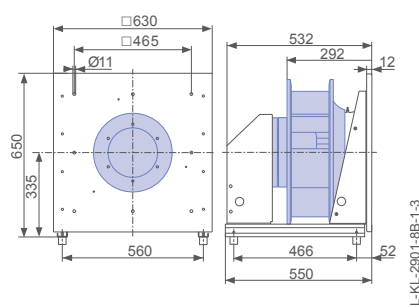
➤ Inlet ring	00401298	Page 450
➤ Connection diagram	1360-401	Page 548
➤ Rubber dampers	30x30 / 40	Page 454
➤ Spring vibration dampers	MSN 5	Page 454
➤ System components		Page 448

Dimensions [mm]

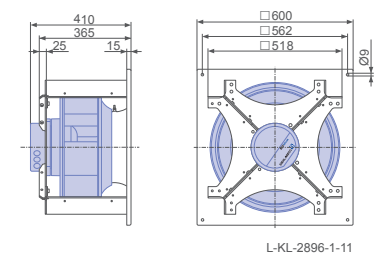
Free-running motor impeller RH in installation position H/Vu/Vo



Plug fan ER in installation position H



Ventilation unit GR in installation position H

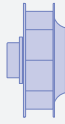
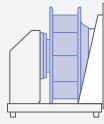
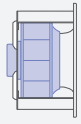
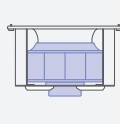
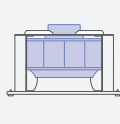


Performance data

Type	Characteristic curve	Speed	Operating point	Current	Motor input power	Suction side sound power level	Maximum ambient temperature
		n [min ⁻¹]		I [A]	P _{sys} [W]	L _{WAS} [dB]	
_45C-ZID.GG.CR	I	2260	①	2.30	1450	89	55
		2260	②	5.40	3600	82	
		2260	③	3.40	2200	91	
	II	2160	④	2.00	1300	88	60
		2160	⑤	4.80	3100	81	
		2160	⑥	3.00	1950	90	
	III	2000	⑦	1.70	1050	85	
		2000	⑧	3.80	2500	79	
		2000	⑨	2.40	1550	88	
	IV	1700	⑩	1.20	660	81	
		1700	⑪	2.40	1550	74	
		1700	⑫	1.60	1000	84	
	V	1400	⑬	0.84	400	75	
		1400	⑭	1.50	900	70	
		1400	⑮	1.05	580	79	

Current values determined at 400V

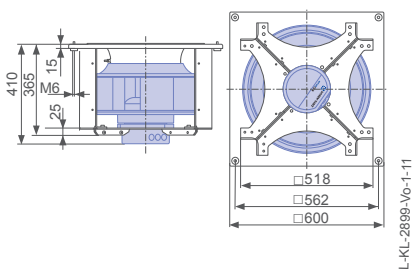
Fan ordering information

Design	RH*	ER**	GR**	GR**	GR**
Installation position	H/Vu/Vo	H	H	Vo	Vu
					
Type	RH45C-ZID.GG.CR	ER45C-ZID.GG.CR	GR45C-ZID.GG.CR	GR45C-ZID.GG.CR	GR45C-ZID.GG.CR
Basic electronics					
Article no.	114615	114668/A01	114648/H01	114648/O01	114648/U01
Premium electronics					
Article no.	114616				
Weight [kg]	22.00	43.00	41.00	41.00	41.00
* Inlet ring not included					
** Inlet ring integrated					

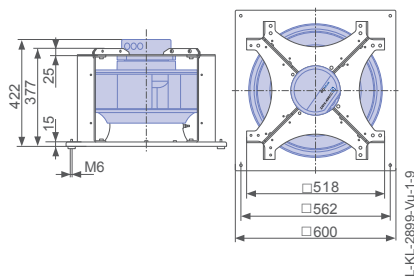
Control technology

<p>Control module</p>  <p>➤ Page 464</p>	<p>Operating terminal</p>  <p>➤ Page 476</p>	<p>Expansion module</p>  <p>➤ Page 473</p>
---	---	---

Ventilation unit GR in installation position Vo



Ventilation unit GR in installation position Vu



Cpro-ECblue

for three phase alternating current, 380-480 V

RH45C-ZID



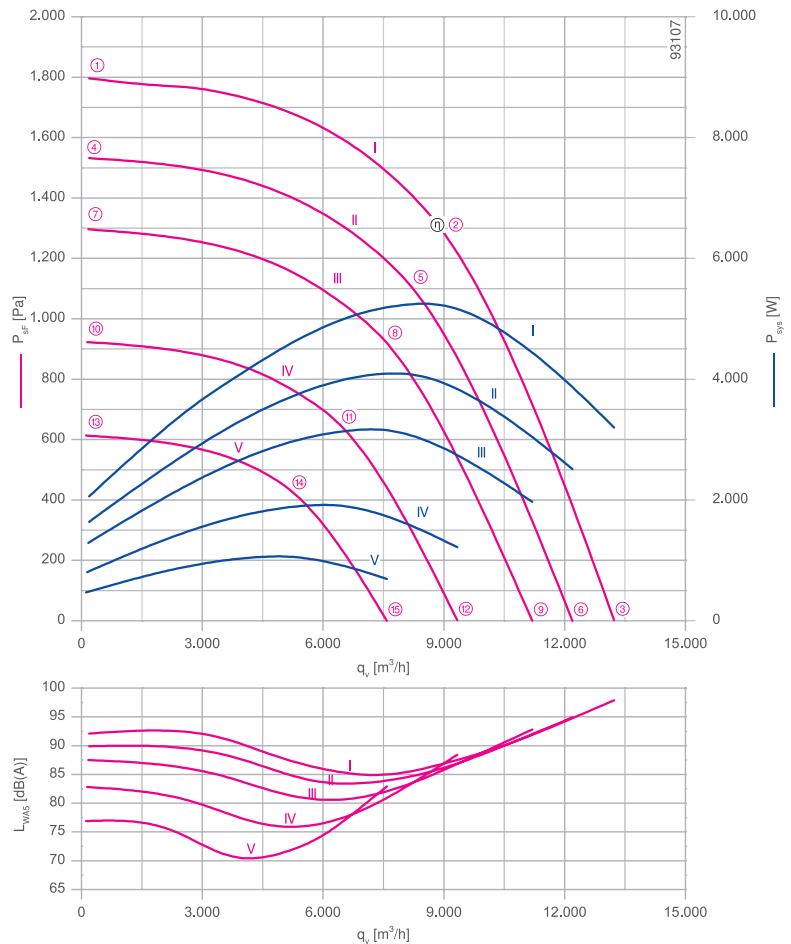
Description

Motor technology: EC
 Rated voltage U: **3-380-480 V***
 Rated frequency f: **50/60 Hz***
 Motor input power P: **5,20 kW***
 Rated current I: **8.40-6.60 A***
 Rated speed n: **2570 min⁻¹***
 Thermal class: **THCL155***
 Min. permitted ambient temperature $t_{r, \text{min}}$: -20 °C
 Max. permitted ambient temperature $t_{r, \text{max}}$: 40 °C
 Electrical connection: integrated Controller
 Number of blades : 7
 Balancing quality: G 2.5
 Protection class: IP54
 Motor protection: Integrated active temperature management
 Impeller : ZAMid, uncoated, Ultramarine blue
 Conformity: ErP 2015, CE

ErP-data

Efficiency η_{statA} : 65.7 %
 Efficiency: $N_{\text{actual}} = 68.7 / N_{\text{target}} = 62^{**}$
 EC controller integrated
 *Rated data
 **ErP 2015

Characteristic curve

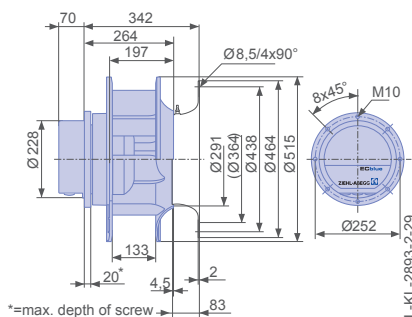


measured with inlet ring, without guard grille according to ISO 5801

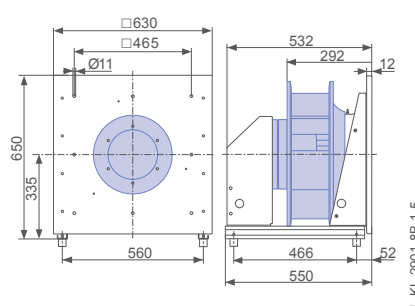
➤ Inlet ring	00401298	Page 450
➤ Connection diagram	1360-401	Page 548
➤ Rubber dampers	30x30 / 40	Page 454
➤ Spring vibration dampers	MSN 5	Page 454
➤ System components		Page 448

Dimensions [mm]

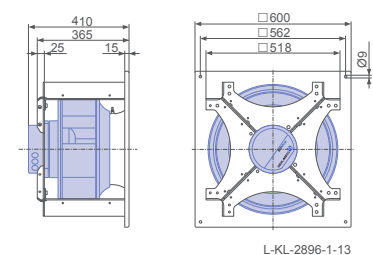
Free-running motor impeller RH in installation position H/V/u/Vo



Plug fan ER in installation position H



Ventilation unit GR in installation position H

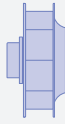
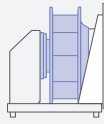
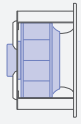
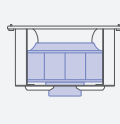
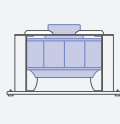


Performance data


Type	Characteristic curve	Speed	Operating point	Current	Motor input power	Suction side sound power level	Maximum ambient temperature
		n [min ⁻¹]		I [A]	P _{sys} [W]	L _{WAS} [dB]	
_45C-ZID.GG.CR	I	2570	①	3.20	2100	92	40
		2570	②	8.00	5200	87	
		2570	③	4.80	3200	98	
	II	2370	④	2.60	1650	90	60
		2370	⑤	6.20	4000	84	
		2370	⑥	3.90	2500	95	
	III	2180	⑦	2.10	1300	88	
		2180	⑧	4.80	3200	82	
		2180	⑨	3.00	1950	93	
	IV	1840	⑩	1.40	800	83	
		1840	⑪	3.00	1900	77	
		1840	⑫	1.95	1200	88	
	V	1500	⑬	0.94	480	77	
		1500	⑭	1.75	1050	72	
		1500	⑮	1.25	700	83	

Current values determined at 400V

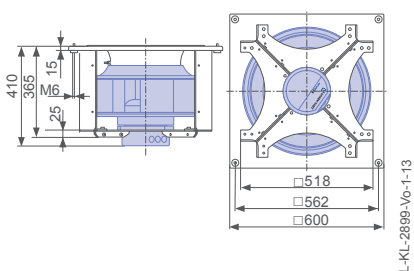
Fan ordering information

Design	RH*	ER**	GR**	GR**	GR**
Installation position	H/Vu/Vo	H	H	Vo	Vu
					
Type	RH45C-ZID.GG.CR	ER45C-ZID.GG.CR	GR45C-ZID.GG.CR	GR45C-ZID.GG.CR	GR45C-ZID.GG.CR
Basic electronics					
Article no.	114707	114731/A01	114722/H01	114722/O01	114722/U01
Premium electronics					
Article no.	114708				
Weight [kg]	22.00	43.00	41.00	41.00	41.00
* Inlet ring not included					
** Inlet ring integrated					

Control technology

Control module  ➤ Page 464	Operating terminal  ➤ Page 476	Expansion module  ➤ Page 473
---	---	---

Ventilation unit GR in installation position Vo



Ventilation unit GR in installation position Vu

