





Axial fans FE2owlet AC technology

Product overview

Quick selection	Page 122
Size 250	Page 126
Size 300	Page 130
Size 310	Page 138
Size 350	Page 144
Size 400	Page 150
Size 420	Page 162
Size 450	Page 170
Size 500	Page 186
Size 560	Page 198
Size 630	Page 206
Size 710	Page 220
Size 800	Page 230
Size 910	Page 240
Size 1000	Page 250

Information

FE2owlet
ECblue

FE2owlet

FB

FC

System
components

Control
technology

Appendix

Size	Voltage	Number of poles	Type	Airflow direction	ErP	Page			
250 mm	1~ 230 V	2	FN025-2E_WA_7	⇒ A ⇐ V	-	126			
		4	FN025-4E_W8_7	⇒ A ⇐ V	-	128			
300 mm	1~ 230 V	4	FN030-4E_WA_7	⇒ A ⇐ V	-	130			
			FN030-4E_WC_7	⇒ A ⇐ V	-	132			
310 mm	1~ 230 V	4	FN031-4E_WD_7	⇒ A ⇐ V	-	134			
			FN031-4E_0F.V7P2	⇐ V	-	136			
			FN031-4D_0F.V7P2	⇐ V	-	138			
350 mm	1~ 230 V	4	FN035-4E_WD_7	⇒ A ⇐ V	-	140			
			FN035-4E_WD_7	⇒ A ⇐ V	2013	142			
			FN035-4E_0F_7P2	⇒ A ⇐ V	2013 *	144			
			FN035-6E_0C_7P2	⇒ A ⇐ V	-	146			
			FN035-VD_0F_7P2	⇒ A ⇐ V	2015	148			
400 mm	1~ 230 V	4	FN040-4E_0F_7P1	⇒ A ⇐ V	2015	150			
			FN040-4E_0F_7P2	⇒ A ⇐ V	2015	152			
			FN040-4E_2F_7P1	⇒ A ⇐ V	2013	154			
			FN040-6E_0F_7P1	⇒ A ⇐ V	-	156			
			3~ 400 V	4-4	FN040-VD_0F_7P1	⇒ A ⇐ V	2015	158	
					FN040-VD_0F_7P2	⇒ A ⇐ V	2015	160	
420 mm	1~ 230 V	4	FN042-4E_2F_7P1	⇒ A ⇐ V	2013	162			
			6	FN042-6E_0F_7P1	⇒ A ⇐ V	-	164		
				FN042-VD_2F_7P1	⇒ A ⇐ V	2015	166		
			3~ 400 V	4-4	FN042-SD_2C_7P1	⇒ A ⇐ V	-	168	
6-6									
450 mm	1~ 230 V	4	FN045-4E_4I_7P1	⇒ A ⇐ V	2013	170			
			FN045-4E_2F_7P2	⇒ A ⇐ V	2013	172			
			6	FN045-6E_2F_7P3	⇒ A ⇐ V	-	174		
				FN045-6E_4F_7P1	⇒ A ⇐ V	2015 *	176		
			3~ 400 V	4-4	FN045-VD_2F_7P2	⇒ A ⇐ V	2015 *	178	
					FN045-VD_4F_7P1	⇒ A ⇐ V	2015	180	
					6-6	FN045-SD_2C_7P3	⇒ A ⇐ V	2013	182
FN045-SD_4F_7P1	⇒ A ⇐ V	2015	184						
500 mm	1~ 230 V	4	FN050-4E_4I_7P1	⇒ A ⇐ V	2013	186			
			6	FN050-6E_4F_7P1	⇒ A ⇐ V	2013	188		
				FN050-8E_4C_7P1	⇒ A ⇐ V	-	190		
			3~ 400 V	4-4	FN050-VD_4I_7P1	⇒ A ⇐ V	2015	192	
					6-6	FN050-SD_4F_7P1	⇒ A ⇐ V	2015	194
						8-8	FN050-AD_4C_7P1	⇒ A ⇐ V	-
560 mm	1~ 230 V	4	FN056-6E_4I_7P2	⇒ A ⇐ V	2013	198			
			4-4	FN056-VD_4M_7P2	⇒ A ⇐ V	2015	200		
				6-6	FN056-SD_4F_7P2	⇒ A ⇐ V	2015	202	
			3~ 400 V	4-4	8-8	FN056-AD_4F_7P2	⇒ A ⇐ V	2013	204

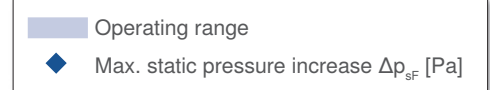
* with ZIEHL-ABEGG frequency inverter



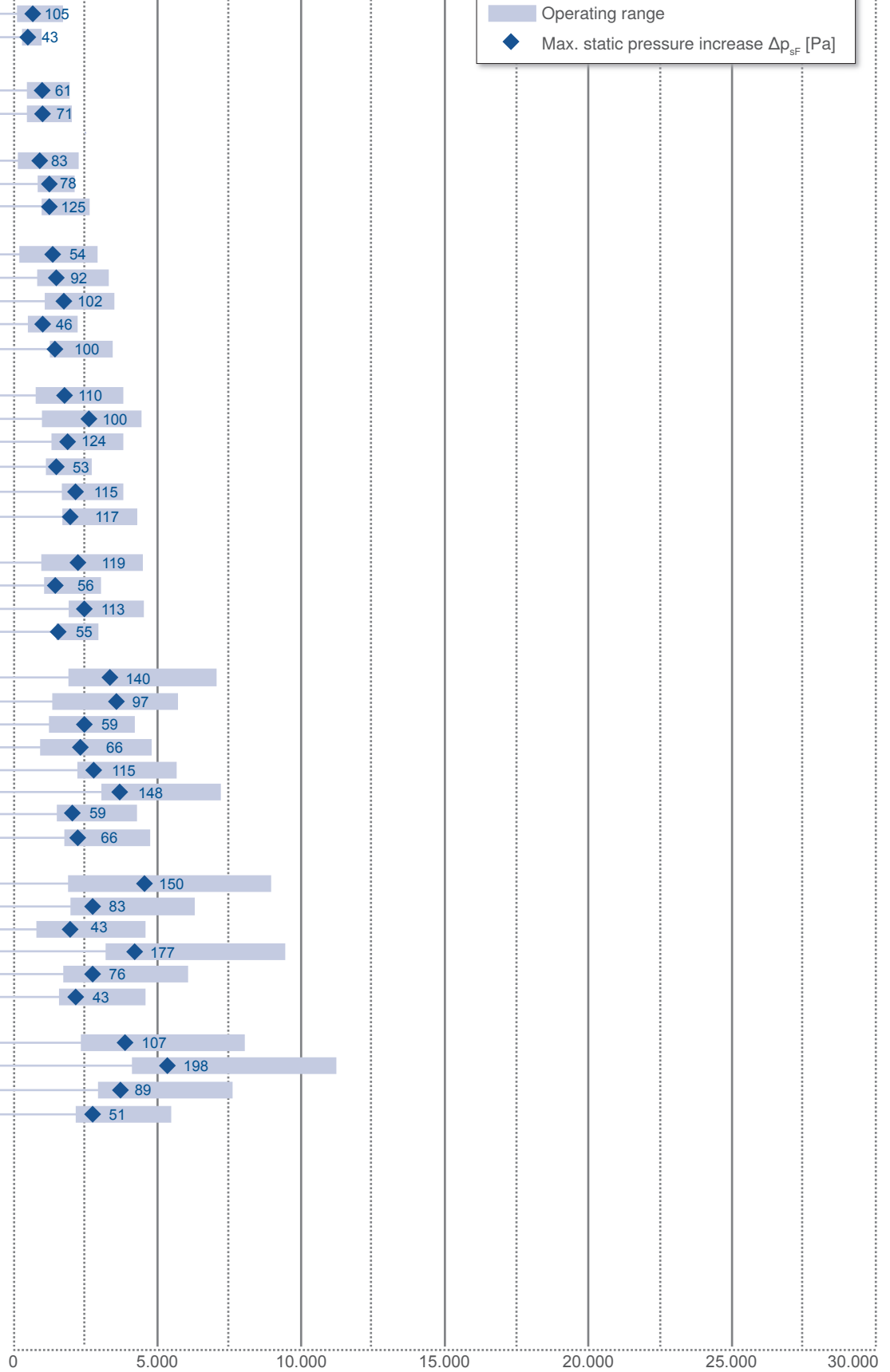
Air flow q_v in m³/h

Type

0 5.000 10.000 15.000 20.000 25.000 30.000



- FN025-2E_WA_7
- FN025-4E_W8_7
- FN030-4E_WA_7
- FN030-4E_WC_7
- FN031-4E_WD_7
- FN031-4E_0F.V7P2
- FN031-4D_0F.V7P2
- FN035-4E_WD_7
- FN035-4E_WD_7
- FN035-4E_0F_7P2
- FN035-6E_0C_7P2
- FN035-VD_0F_7P2
- FN040-4E_0F_7P1
- FN040-4E_0F_7P2
- FN040-4E_2F_7P1
- FN040-6E_0F_7P1
- FN040-VD_0F_7P1
- FN040-VD_0F_7P2
- FN042-4E_2F_7P1
- FN042-6E_0F_7P1
- FN042-VD_2F_7P1
- FN042-SD_2C_7P1
- FN045-4E_4I_7P1
- FN045-4E_2F_7P2
- FN045-6E_2F_7P3
- FN045-6E_4F_7P1
- FN045-VD_2F_7P2
- FN045-VD_4F_7P1
- FN045-SD_2C_7P3
- FN045-SD_4F_7P1
- FN050-4E_4I_7P1
- FN050-6E_4F_7P1
- FN050-8E_4C_7P1
- FN050-VD_4I_7P1
- FN050-SD_4F_7P1
- FN050-AD_4C_7P1
- FN056-6E_4I_7P2
- FN056-VD_4M_7P2
- FN056-SD_4F_7P2
- FN056-AD_4F_7P2



Air flow q_v in m³/h

0 5.000 10.000 15.000 20.000 25.000 30.000

- Information
- FE2owlet
ECblue
- FE2owlet
- FB
- FC
- System components
- Control technology
- Appendix

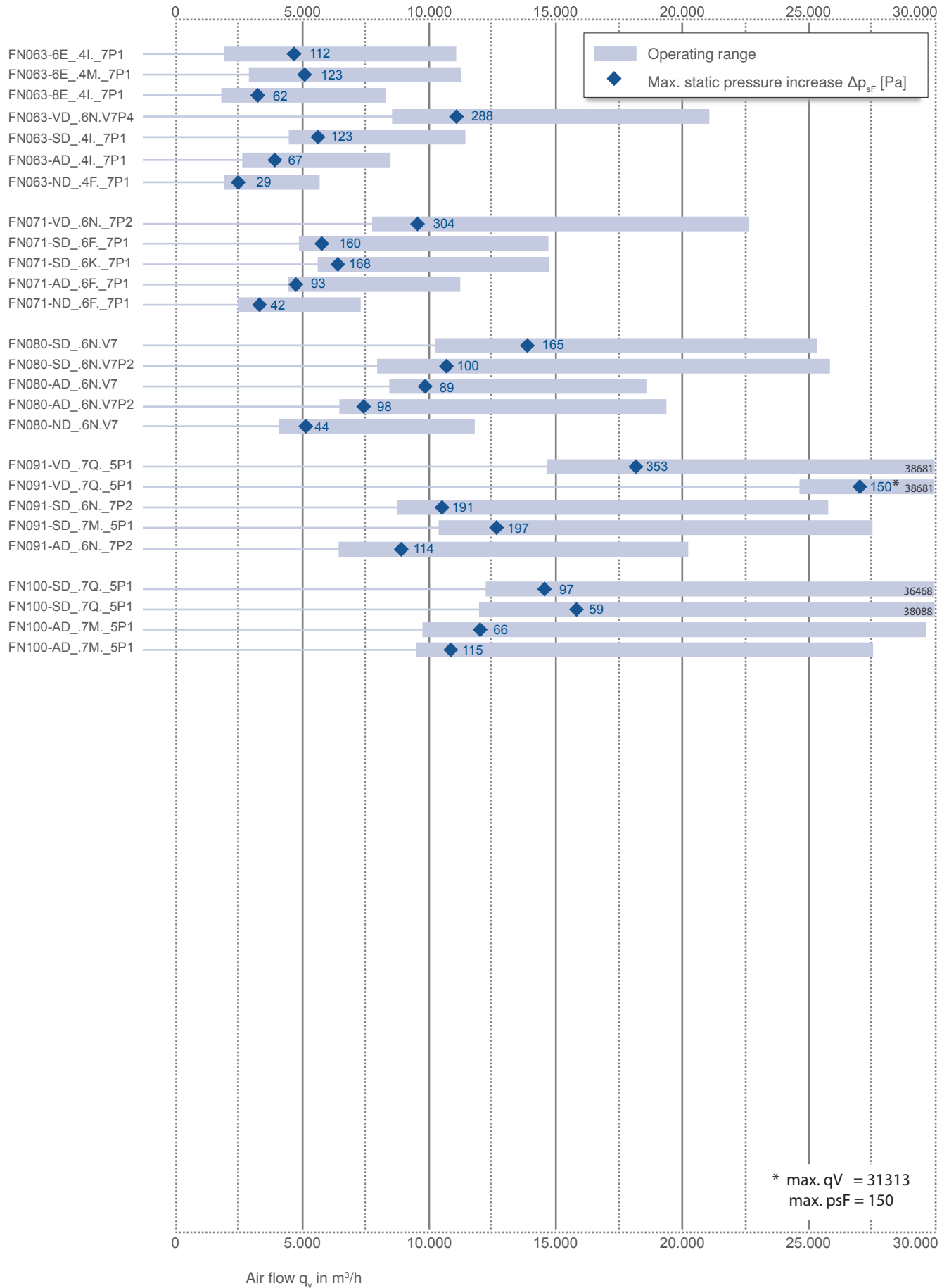
Size	Voltage	Number of poles	Type	Airflow direction	ErP	Page
630 mm	1~ 230 V	6	FN063-6E_4I_7P1	⇒ - A - ⇐ - V	2013	206
			FN063-6E_4M_7P1	⇒ - A - ⇐ - V	2013	208
		8	FN063-8E_4I_7P1	⇒ - A - ⇐ - V	-	210
	3~ 400 V	4-4	FN063-VD_6N.V7P4	⇐ - V	2013	212
			6-6	FN063-SD_4I_7P1	⇒ - A - ⇐ - V	2015
		8-8	FN063-AD_4I_7P1	⇒ - A - ⇐ - V	2013	216
			12-12	FN063-ND_4F_7P1	⇒ - A - ⇐ - V	-
710 mm	3~ 400 V	4-4	FN071-VD_6N_7P2	⇒ - A - ⇐ - V	2015	220
			6-6	FN071-SD_6F_7P1	⇒ - A - ⇐ - V	2015
		8-8	FN071-SD_6K_7P1	⇒ - A - ⇐ - V	2015	224
			FN071-AD_6F_7P1	⇒ - A - ⇐ - V	2015	226
			12-12	FN071-ND_6F_7P1	⇒ - A - ⇐ - V	2015 *
800 mm	3~ 400 V	6-6	FN080-SD_6N.V7	⇐ - V	2015	230
			FN080-SD_6N.V7P2	⇐ - V	2013	232
		8-8	FN080-AD_6N.V7	⇐ - V	2015	234
			FN080-AD_6N.V7P2	⇐ - V	2013	236
			FN080-ND_6N.V7	⇐ - V	2013	238
910 mm	3~ 400 V	4-4	FN091-VD_7Q_5P1	⇒ - A - ⇐ - V	2015	240
			FN091-VD_7Q_5P1	⇒ - A - ⇐ - V	-	242
		6-6	FN091-SD_6N_7P2	⇒ - A - ⇐ - V	2015	244
			FN091-SD_7M_5P1	⇒ - A - ⇐ - V	2015	246
			8-8	FN091-AD_6N_7P2	⇒ - A - ⇐ - V	2015
1000 mm	3~ 400 V	6-6	FN100-SD_7Q_5P1	⇒ - A - ⇐ - V	2015	250
			FN100-SD_7Q_5P1	⇒ - A - ⇐ - V	2015	252
		8-8	FN100-AD_7M_5P1	⇒ - A - ⇐ - V	2015	254
			FN100-AD_7M_5P1	⇒ - A - ⇐ - V	2015	256

* with ZIEHL-ABEGG frequency inverter



Air flow q_v in m^3/h

Type



Information

FE2owlet
ECblue

FE2owlet

FB

FC

System
components

Control
technology

Appendix



FE2owlet

for single phase alternating current, 2 pole

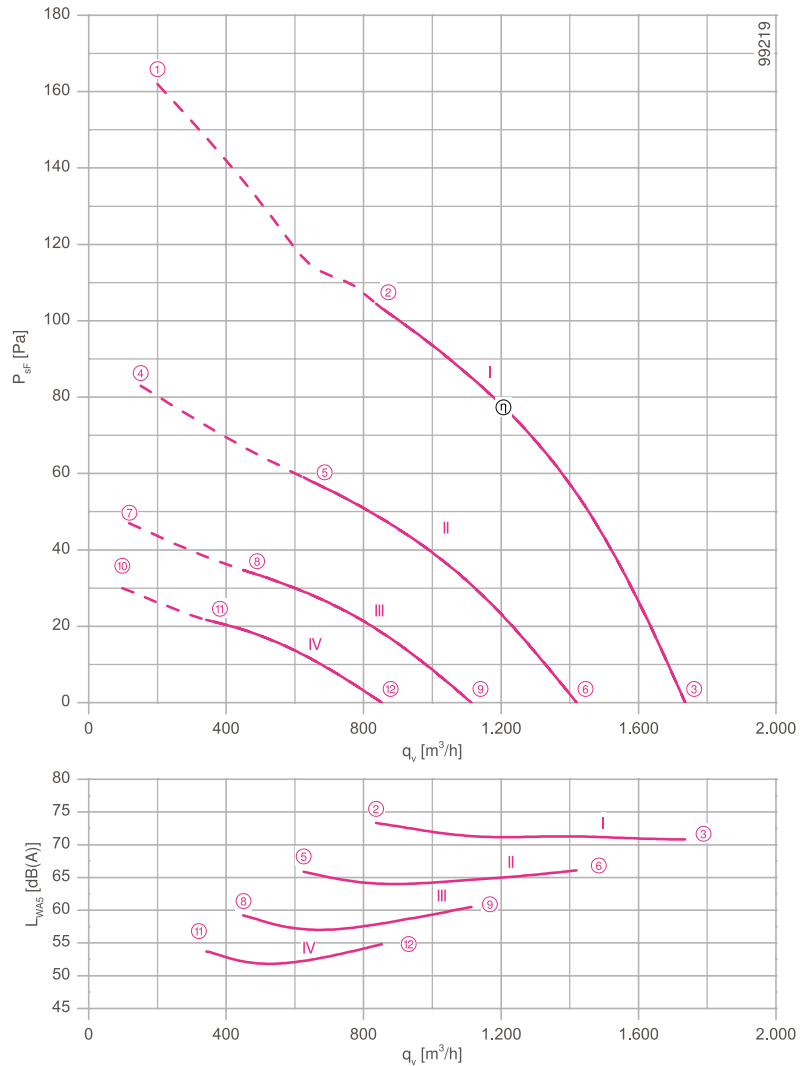
FN025-2E



Description

Motor technology: AC
 Rated voltage U_N : 1~ 230 V*
 Rated frequency f_N : 50 Hz* (60Hz data available)
 Motor input power P_1 : 0.12 kW*
 Rated current I_N : 0.54 A*
 Rated speed n_N : 2160 min⁻¹*
 Starting current I_A : 0.75 A
 Current increase ΔI : 0 %
 Service capacitor C_{400V} : 3.5 μ F
 Thermal class: **THCL155***
 Min. permitted conveyor temperature $t_{R(min)}$: -40 °C
 Max. permitted conveyor temperature $t_{R(max)}$: 65 °C
 Electrical connection: Supply cable variable 45 cm
 Number of blades: 7
 Motor protection: Thermal contact
 Blades: High Performance Composite Material, uncoated, black
 Rotor: Aluminium, 1 coat paint, Ultramarine blue
 Conformity: CE
ErP Data
 Is not subject to the ErP Guidelines ($P_1 < 125$ W)
 * Rated data

Characteristic curve



Measured in full bell mouth without guard grille in installation type A according to ISO 5801.

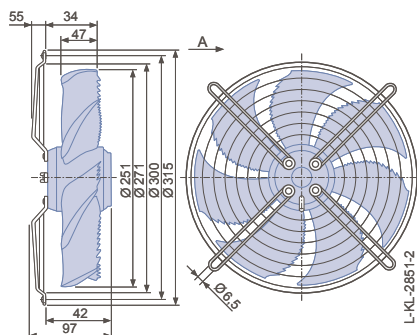
➤ Connection diagram 1360-177X Page 609

➤ System components Page 524

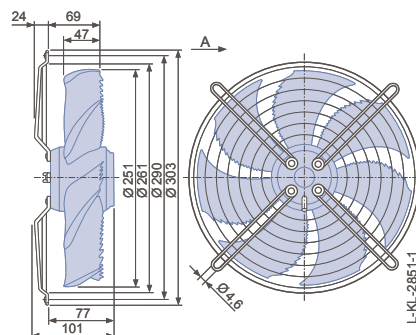
Dimensions [mm]

Airflow direction A

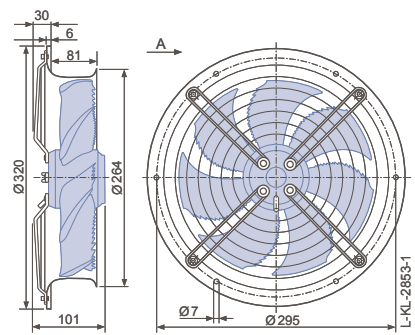
Design W - axial bolted, mounting for short bell mouth E



Design D - axial bolted, suspension for full bell mouth Q and L



Design L - round, full bell mouth



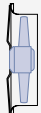





Performance data

Type	Characteristic curve	Voltage	Operating point	Current	Motor input power	Speed	Suction side sound power level
		U [V]		I [A]	P ₁ [W]	n [min ⁻¹]	
FN025-2E_WA_7	I	230	①	0.58	140	1900	
		230*	②	0.54*	120*	2160*	73
		230	③	0.48	110	2410	71
	II	170	④	0.48	85	1370	
		170	⑤	0.46	80	1630	66
		170	⑥	0.44	75	1970	66
	III	135	⑦	0.40	55	1040	
		135	⑧	0.39	55	1240	59
		135	⑨	0.38	50	1550	61
	IV	110	⑩	0.33	36	830	
		110	⑪	0.33	36	980	53
		110	⑫	0.32	36	1200	55

*rated data

Fan ordering information

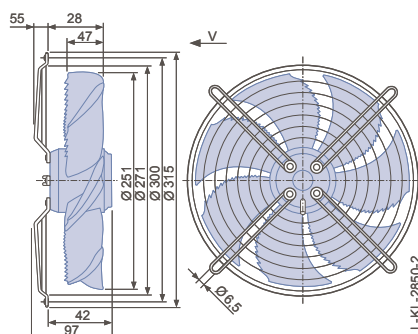
Airflow direction A				Airflow direction V		
Design	W	D	L	K	H	I
						
Type	FN025-2EW.WA.A7	FN025-2ED.WA.A7	FN025-2EL.WA.A7	FN025-2EK.WA.V7	FN025-2EH.WA.V7	FN025-2EI.WA.V7
Article no.	162556	161633	161634	161631	161630	162557
Weight [kg]	2.50	3.50	2.70	3.40	2.70	2.50

Control technology

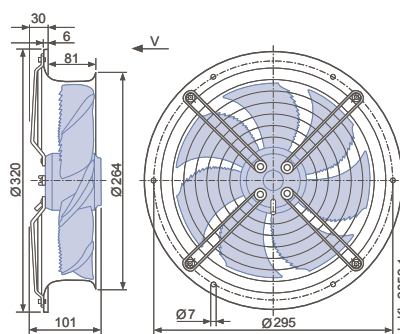
<p>Frequency inverter Fcontrol 1~</p>  <p>▶ Page 552</p>	<p>Motor protection units 1~</p>  <p>▶ Page 596</p>	<p>Transformer-based controllers 1~</p>  <p>▶ Page 587</p>	<p>Electronic voltage controllers 1~</p>  <p>▶ Page 562</p>
---	--	---	---

Airflow direction V

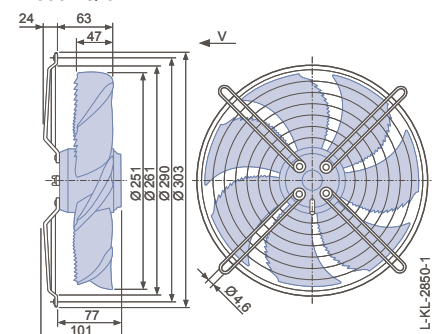
Design K - axial bolted, mounted for short bell mouth E



Design H - pipe sockets with a flange



Design I - axial bolted, mounting for bell mouth flange for pipe socket H or full bell mouth Q or L



FE2owlet

for single phase alternating current, 4 pole

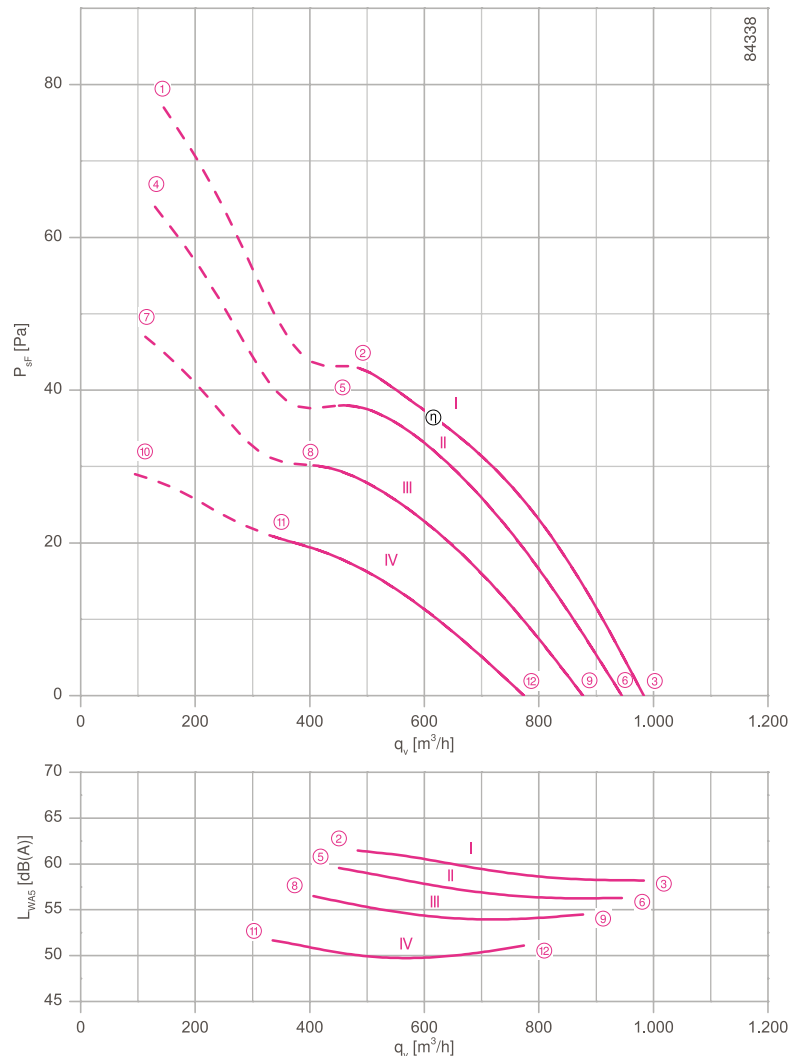
FN025-4E



Description

Motor technology: AC
 Rated voltage U_N : 1~ 230 V*
 Rated frequency f_N : 50 Hz* (60Hz data available)
 Motor input power P_1 : 0.05 kW*
 Rated current I_N : 0.24 A*
 Rated speed n_N : 1370 min⁻¹*
 Starting current I_s : 0.40 A
 Current increase ΔI : 0 %
 Service capacitor C_{400V} : 1.5 μ F
 Thermal class: **THCL155***
 Min. permitted conveyor temperature $t_{R(min)}$: -40 °C
 Max. permitted conveyor temperature $t_{R(max)}$: 55 °C
 Electrical connection: Supply cable variable 45 cm
 Number of blades: 7
 Motor protection: Thermal contact
 Blades: High Performance Composite Material, uncoated, black
 Rotor: Aluminium, 1 coat paint, Ultramarine blue
 Conformity: CE
ErP Data
 Is not subject to the ErP Guidelines ($P_1 < 125$ W)
 * Rated data

Characteristic curve



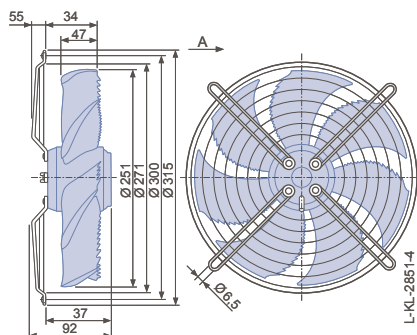
Measured in full bell mouth without guard grille in installation type A according to ISO 5801.

- Connection diagram 1360-177X Page 609
- System components Page 524

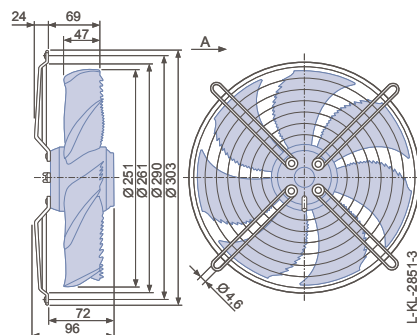
Dimensions [mm]

Airflow direction A

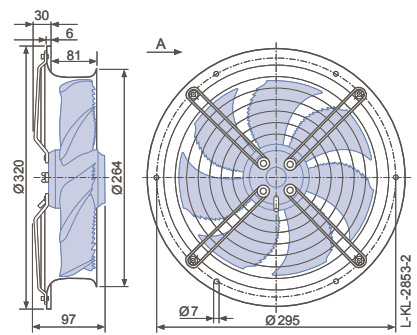
Design W - axial bolted, mounting for short bell mouth E



Design D - axial bolted, suspension for full bell mouth Q and L



Design L - round, full bell mouth



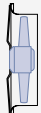





Performance data

Type	Characteristic curve	Voltage	Operating point	Current	Motor input power	Speed	Suction side sound power level
		U [V]		I [A]	P ₁ [W]	n [min ⁻¹]	
FN025-4E_W8_7	I	230	①	0.24	50	1330	
		230*	②	0.24*	48*	1370*	62
		230	③	0.23	46	1400	58
	II	170	④	0.19	32	1210	
		170	⑤	0.17	28	1280	60
		170	⑥	0.16	26	1340	56
	III	135	⑦	0.18	24	1030	
		135	⑧	0.16	22	1150	57
		135	⑨	0.14	19	1250	55
	IV	110	⑩	0.17	18	820	
		110	⑪	0.16	17	960	52
		110	⑫	0.14	15	1110	51

*rated data

Fan ordering information

Design	Airflow direction A			Airflow direction V		
	W	D	L	K	H	I
						
Type	FN025-4EW.W8.A7	FN025-4ED.W8.A7	FN025-4EL.W8.A7	FN025-4EK.W8.V7	FN025-4EH.W8.V7	FN025-4EI.W8.V7
Article no.	139726	139712	139719	139754	139747	139740
Weight [kg]	2.50	2.30	3.30	2.50	3.30	2.30

Control technology

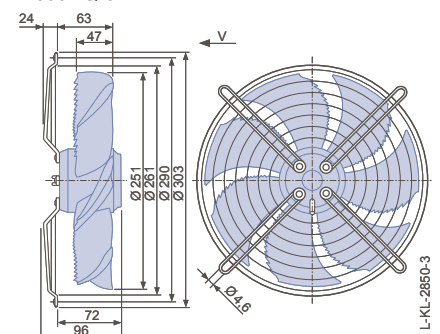
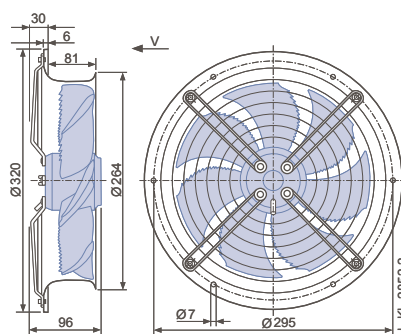
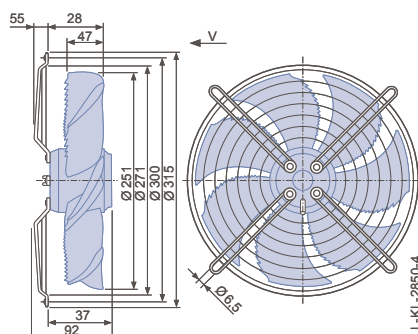
<p>Frequency inverter Fcontrol 1~</p>  <p>Page 552</p>	<p>Motor protection units 1~</p>  <p>Page 596</p>	<p>Transformer-based controllers 1~</p>  <p>Page 587</p>	<p>Electronic voltage controllers 1~</p>  <p>Page 562</p>
---	--	---	--

Airflow direction V

Design K - axial bolted, mounted for short bell mouth E

Design H - pipe sockets with a flange

Design I - axial bolted, mounting for bell mouth flange for pipe socket H or full bell mouth Q or L



FE2owlet

for single phase alternating current, 4 pole

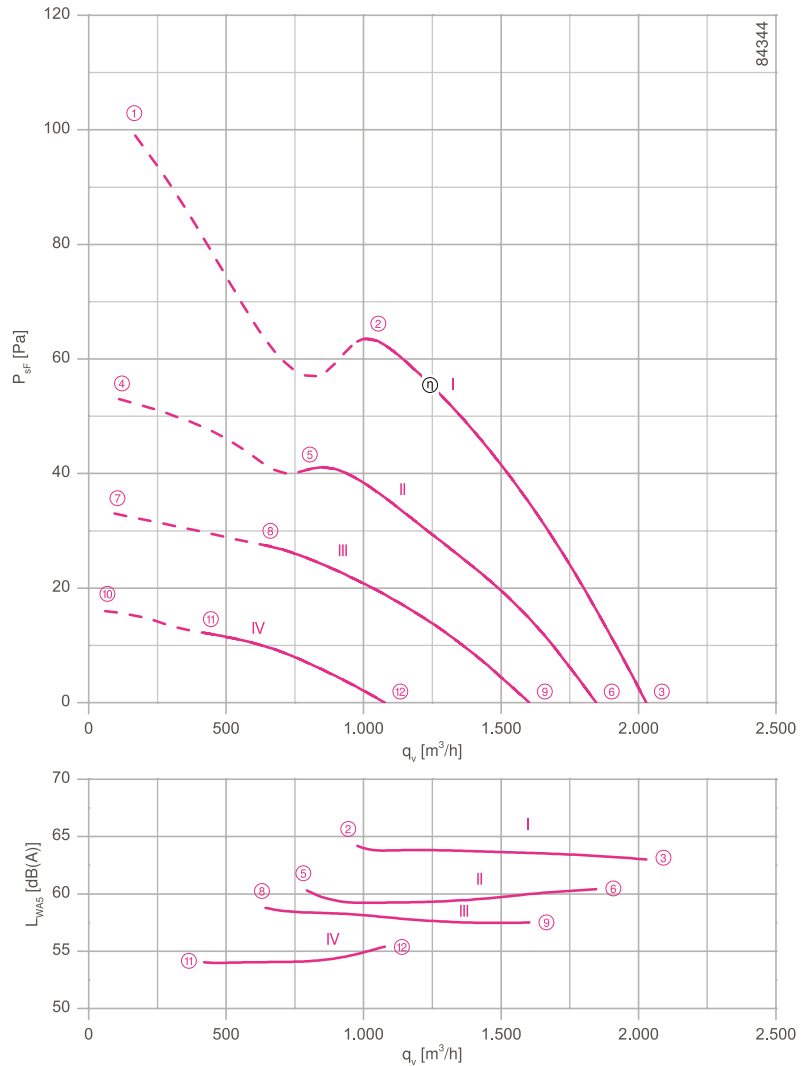
FNO30-4E



Description

Motor technology: AC
 Rated voltage U_N : 1~ 230 V*
 Rated frequency f_N : 50 Hz* (60Hz data available)
 Motor input power P_1 : 0.09 kW*
 Rated current I_N : 0.39 A*
 Rated speed n_N : 1290 min⁻¹*
 Starting current I_A : 0.63 A
 Current increase ΔI : 0 %
 Service capacitor C_{400V} : 2.0 μ F
 Thermal class: **THCL155***
 Min. permitted conveyor temperature $t_{R(min)}$: -40 °C
 Max. permitted conveyor temperature $t_{R(max)}$: 60 °C
 Electrical connection: Supply cable variable 45 cm
 Number of blades: 7
 Motor protection: Thermal contact
 Blades: High Performance Composite Material, uncoated, black
 Rotor: Aluminium, 1 coat paint, Ultramarine blue
 Conformity: CE
ErP Data
 Is not subject to the ErP Guidelines ($P_1 < 125$ W)
 * Rated data

Characteristic curve



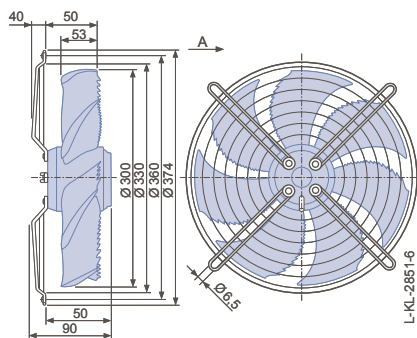
Measured in full bell mouth without guard grille in installation type A according to ISO 5801.

- Connection diagram 1360-177X Page 609
- System components Page 524

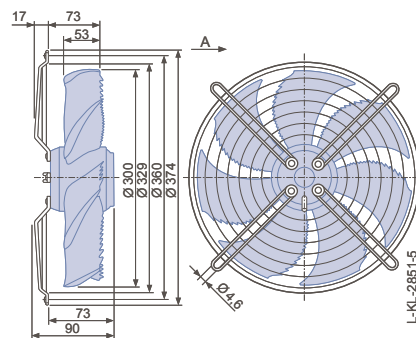
Dimensions [mm]

Airflow direction A

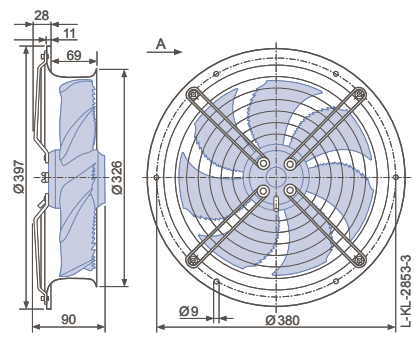
Design W - axial bolted, mounting for short bell mouth E



Design D - axial bolted, suspension for full bell mouth Q and L



Design L - round, full bell mouth



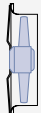

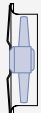



Performance data

Type	Characteristic curve	Voltage	Operating point	Current	Motor input power	Speed	Suction side sound power level
		U [V]		I [A]	P ₁ [W]	n [min ⁻¹]	
FN030-4E_WA_7	I	230	①	0.44	95	1220	64
		230*	②	0.39*	85*	1290*	
		230	③	0.34	75	1370	
	II	170	④	0.39	65	890	60
		170	⑤	0.36	60	1050	
		170	⑥	0.30	50	1240	
	III	145	⑦	0.34	48	710	59
		145	⑧	0.33	46	870	
		145	⑨	0.30	42	1100	
	IV	110	⑩	0.27	28	490	54
		110	⑪	0.26	28	570	
		110	⑫	0.26	26	740	

*rated data

Fan ordering information

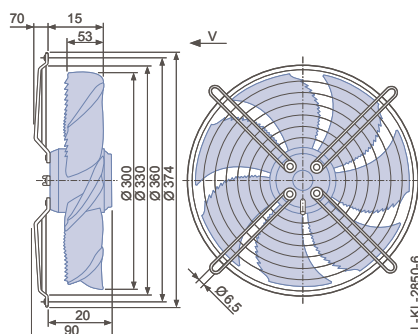
Airflow direction A			Airflow direction V			
Design	W	D	L	K	H	I
						
Type	FN030-4EW.WA.A7	FN030-4ED.WA.A7	FN030-4EL.WA.A7	FN030-4EK.WA.V7	FN030-4EH.WA.V7	FN030-4EI.WA.V7
Article no.	141658	141656	141657	141661	141660	141659
Weight [kg]	3.10	3.60	4.50	3.30	4.50	2.90

Control technology

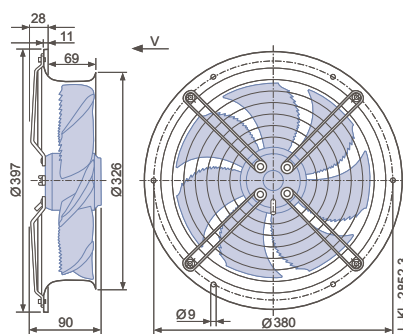
<p>Frequency inverter Fcontrol 1~</p>  <p>➤ Page 552</p>	<p>Motor protection units 1~</p>  <p>➤ Page 596</p>	<p>Transformer-based controllers 1~</p>  <p>➤ Page 587</p>	<p>Electronic voltage controllers 1~</p>  <p>➤ Page 562</p>
---	--	---	---

Airflow direction V

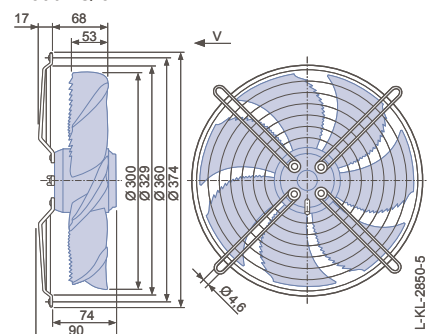
Design K - axial bolted, mounted for short bell mouth E



Design H - pipe sockets with a flange



Design I - axial bolted, mounting for bell mouth flange for pipe socket H or full bell mouth Q or L



FE2owlet

for single phase alternating current, 4 pole

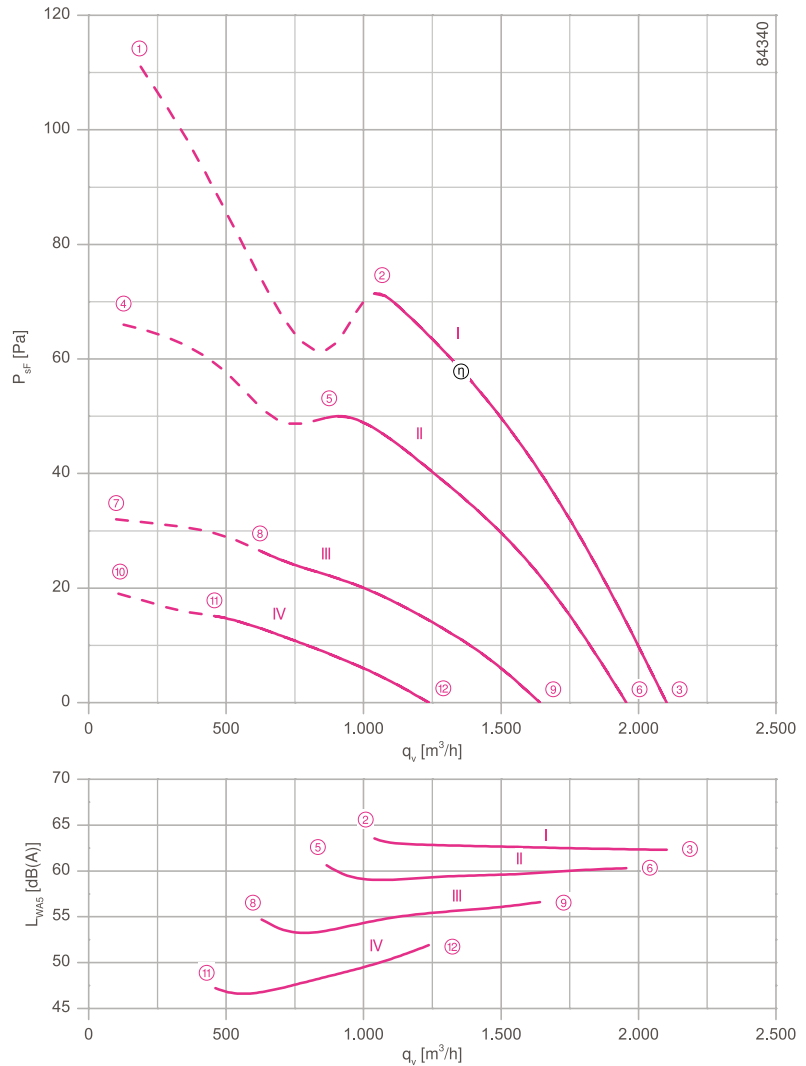
FNO30-4E



Description

Motor technology: AC
 Rated voltage U_N : 1~ 230 V*
 Rated frequency f_N : 50 Hz* (60Hz data available)
 Motor input power P_1 : 0.10 kW*
 Rated current I_N : 0.42 A*
 Rated speed n_N : 1330 min⁻¹*
 Starting current I_A : 0.77 A
 Current increase ΔI : 0 %
 Service capacitor C_{400V} : 3.0 μ F
 Thermal class: **THCL155***
 Min. permitted conveyor temperature $t_{R(min)}$: -40 °C
 Max. permitted conveyor temperature $t_{R(max)}$: 60 °C
 Electrical connection: Supply cable variable 45 cm
 Number of blades: 7
 Motor protection: Thermal contact
 Blades: High Performance Composite Material, uncoated, black
 Rotor: Aluminium, 1 coat paint, Ultramarine blue
 Conformity: CE
ErP Data
 Is not subject to the ErP Guidelines ($P_1 < 125$ W)
 * Rated data

Characteristic curve



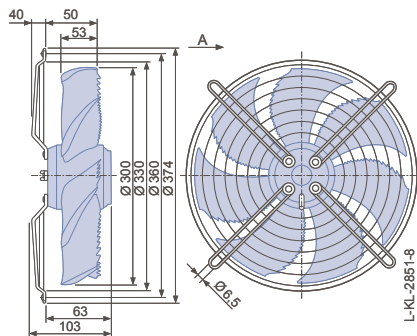
Measured in full bell mouth without guard grille in installation type A according to ISO 5801.

- Connection diagram 1360-177X Page 609
- System components Page 524

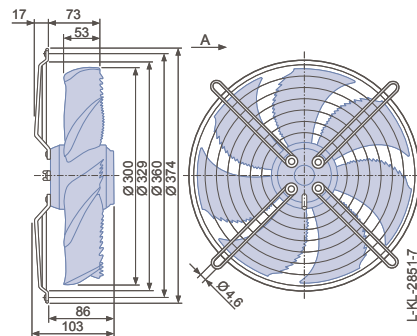
Dimensions [mm]

Airflow direction A

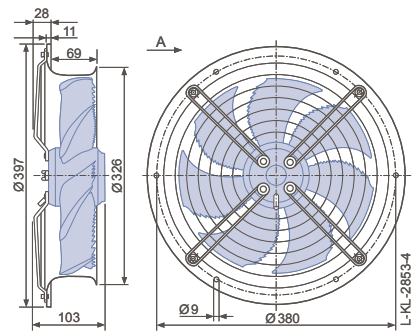
Design W - axial bolted, mounting for short bell mouth E



Design D - axial bolted, suspension for full bell mouth Q and L



Design L - round, full bell mouth



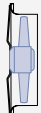





Performance data

Type	Characteristic curve	Voltage	Operating point	Current	Motor input power	Speed	Suction side sound power level
		U [V]		I [A]	P ₁ [W]	n [min ⁻¹]	
FN030-4E_WC_7	I	230	①	0.46	110	1280	64
		230*	②	0.42*	95*	1330*	
		230	③	0.35	80	1400	
	II	170	④	0.46	75	970	61
		170	⑤	0.40	70	1140	
		170	⑥	0.33	55	1300	
	III	135	⑦	0.39	50	680	60
		135	⑧	0.38	50	830	
		135	⑨	0.33	44	1100	
	IV	110	⑩	0.33	36	520	55
		110	⑪	0.33	34	600	
		110	⑫	0.31	34	830	

*rated data

Fan ordering information

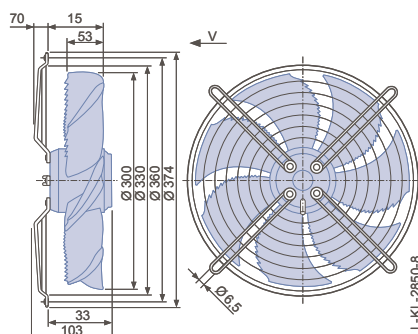
Airflow direction A			Airflow direction V			
Design	W	D	L	K	H	I
						
Type	FN030-4EW.WC.A7	FN030-4ED.WC.A7	FN030-4EL.WC.A7	FN030-4EK.WC.V7	FN030-4EH.WC.V7	FN030-4EI.WC.V7
Article no.	141633	141631	141632	141636	141635	141634
Weight [kg]	3.70	3.60	5.10	3.80	5.10	3.60

Control technology

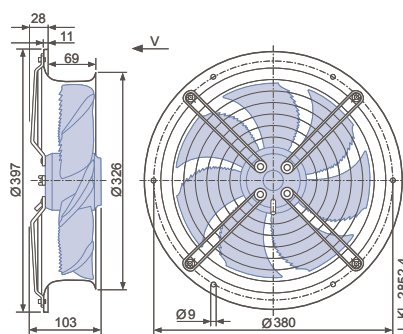
<p>Frequency inverter Fcontrol 1~</p>  <p>▶ Page 552</p>	<p>Motor protection units 1~</p>  <p>▶ Page 596</p>	<p>Transformer-based controllers 1~</p>  <p>▶ Page 587</p>	<p>Electronic voltage controllers 1~</p>  <p>▶ Page 562</p>
---	--	---	---

Airflow direction V

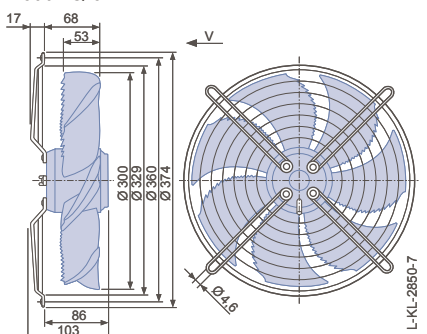
Design K - axial bolted, mounted for short bell mouth E



Design H - pipe sockets with a flange



Design I - axial bolted, mounting for bell mouth flange for pipe socket H or full bell mouth Q or L



FE2owlet

for single phase alternating current, 4 pole

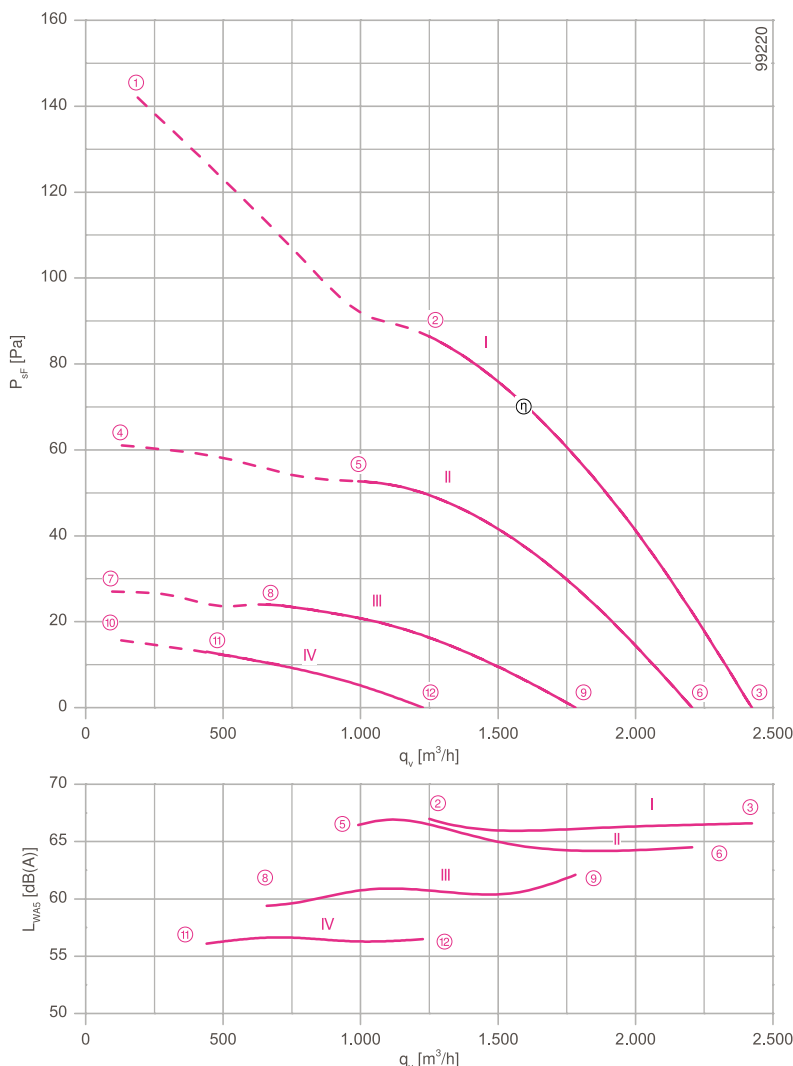
FNO31-4E



Description

Motor technology: AC
 Rated voltage U_N : 1~ 230 V*
 Rated frequency f_N : 50 Hz* (60Hz data available)
 Motor input power P_1 : 0.12 kW*
 Rated current I_N : 0.54 A*
 Rated speed n_N : 1330 min⁻¹*
 Starting current I_s : 1.00 A
 Current increase ΔI : 0 %
 Service capacitor C_{400V} : 5.0 μ F
 Thermal class: **THCL155***
 Min. permitted conveyor temperature $t_{R(min)}$: -40 °C
 Max. permitted conveyor temperature $t_{R(max)}$: 70 °C
 Electrical connection: Supply cable variable 45 cm
 Number of blades: 7
 Motor protection: Thermal contact
 Blades: High Performance Composite Material, uncoated, black
 Rotor: Aluminium, 1 coat paint, Ultramarine blue
 Conformity: CE
ErP Data
 Is not subject to the ErP Guidelines ($P_1 < 125$ W)
 * Rated data

Characteristic curve



Measured in full bell mouth without guard grille in installation type A according to ISO 5801.

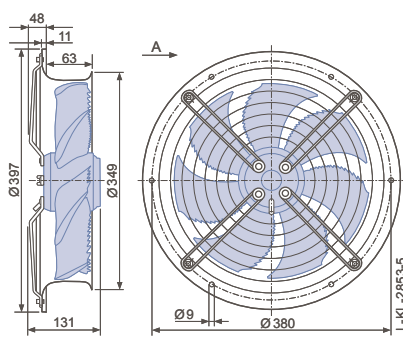
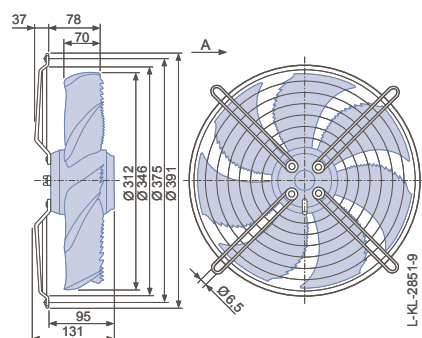
- Connection diagram 1360-177X Page 609
- System components Page 524

Dimensions [mm]

Airflow direction A

Design D - axial bolted, suspension for full bell mouth Q and L

Design L - round, full bell mouth







Performance data

Type	Characteristic curve	Voltage	Operating point	Current	Motor input power	Speed	Suction side sound power level
		U [V]		I [A]	P ₁ [W]	n [min ⁻¹]	
FN031-4E_WD_7	I	230	①	0.64	140	1250	
		230*	②	0.54*	120*	1330*	67
		230	③	0.44	100	1400	66
	II	170	④	0.62	100	860	
		170	⑤	0.56	95	1070	66
		170	⑥	0.44	75	1290	65
	III	135	⑦	0.52	70	580	
		135	⑧	0.50	70	720	59
		135	⑨	0.44	60	1050	62
	IV	110	⑩	0.42	46	450	
		110	⑪	0.42	46	520	56
		110	⑫	0.42	44	720	57

*rated data

Fan ordering information

Airflow direction A		Airflow direction V		
Design	D	L	H	I
				
Type	FN031-4ED.WD.A7	FN031-4EL.WD.A7	FN031-4EH.WD.V7	FN031-4EI.WD.V7
Article no.	161640	161641	161638	161637
Weight [kg]	4.30	5.80	5.80	4.30

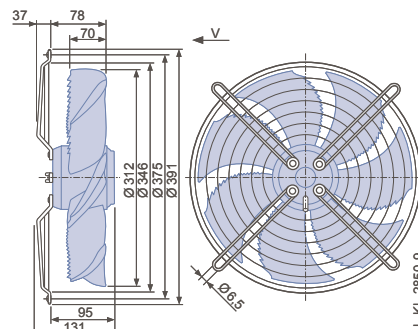
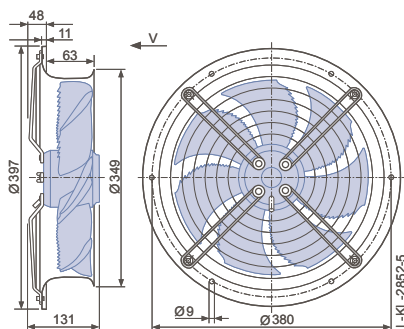
Control technology

<p>Frequency inverter Fcontrol 1~</p>  <p>➤ Page 552</p>	<p>Motor protection units 1~</p>  <p>➤ Page 596</p>	<p>Transformer-based controllers 1~</p>  <p>➤ Page 587</p>	<p>Electronic voltage controllers 1~</p>  <p>➤ Page 562</p>
---	--	---	--

Airflow direction V

Design H - pipe sockets with a flange

Design I - axial bolted, mounting for bell mouth flange for pipe socket H or full bell mouth Q or L



FE2owlet

for single phase alternating current, 4 pole

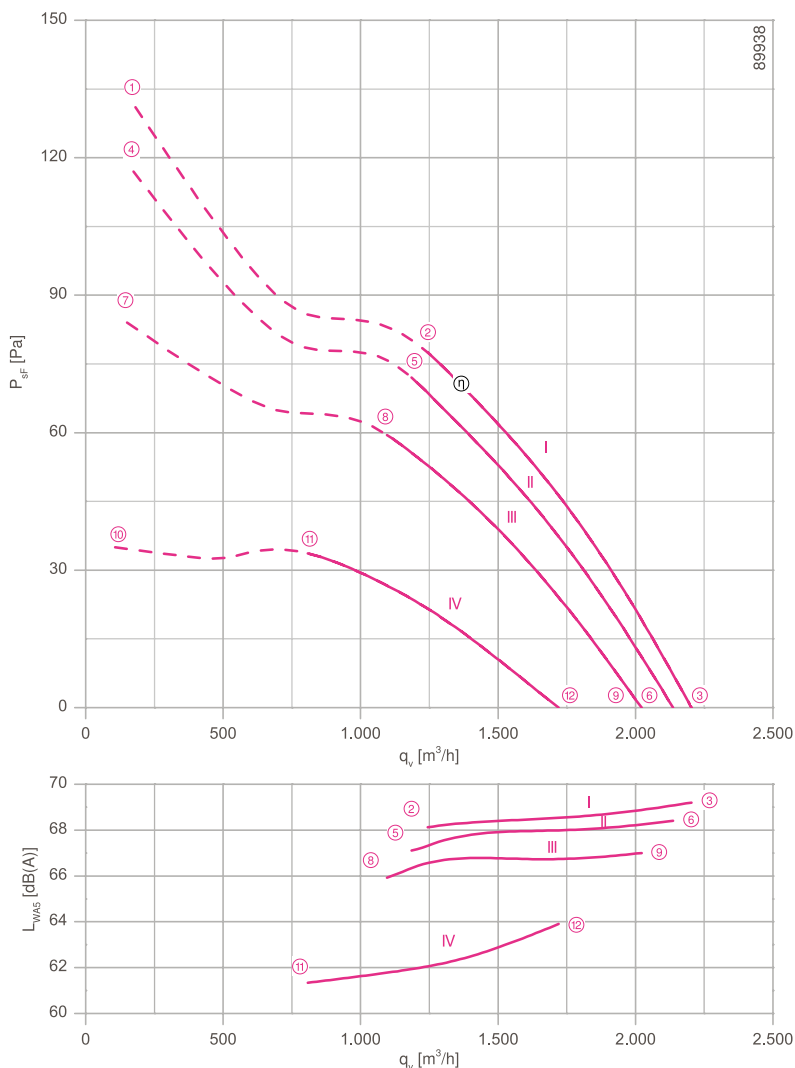
FNO31-4E



Description

Motor technology: AC
 Rated voltage U_N : 1~ 230 V \pm 10 %*
 Rated frequency f_N : 50 Hz* (60Hz data available)
 Motor input power P_1 : 0.12 kW*
 Rated current I_N : 0.62 A*
 Rated speed n_N : 1440 min⁻¹*
 Starting current I_s : 2.30 A
 Current increase ΔI : 35 %
 Service capacitor C_{400V} : 3.0 μ F
 Thermal class: **THCL155***
 Min. permitted conveyor temperature $t_{R(min)}$: -25 °C
 Max. permitted conveyor temperature $t_{R(max)}$: 70 °C
 Electrical connection: Terminal box
 Number of blades: 7
 Protection class: IP54
 Motor protection: Thermal contact
 Blades: High Performance Composite Material, uncoated, black
 Rotor: Aluminium, 1 coat paint, black
 Conformity: CE
ErP Data
 Is not subject to the ErP Guidelines ($P_1 < 125$ W)
 * Rated data

Characteristic curve



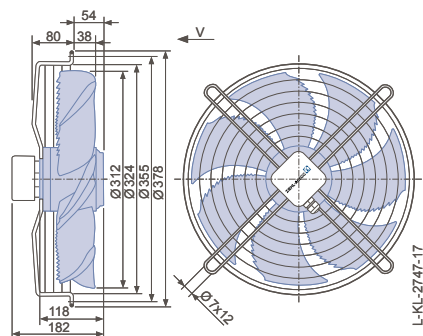
Measured in full bell mouth without guard grille in installation type A according to ISO 5801.

- Connection diagram 1360-104XA Page 608
- System components Page 524

Dimensions [mm]



Design K - axial bolted, mounted for short bell mouth E



Performance data


Type	Characteristic curve	Voltage	Operating point	Current	Motor input power	Speed	Suction side sound power level L_{WAS} [dB]
		U [V]		I [A]	P_1 [W]	n [min ⁻¹]	
FN031-4E_0F_7P2	I	230	①	0.66	130	1430	
		230*	②	0.61*	120*	1440*	68
		230	③	0.58	110	1450	69
	II	170	④	0.68	110	1350	
		170	⑤	0.58	95	1390	67
		170	⑥	0.50	80	1410	68
	III	135	⑦	0.86	110	1150	
		135	⑧	0.70	90	1270	66
		135	⑨	0.58	75	1340	67
	IV	110	⑩	0.92	90	740	
		110	⑪	0.84	85	950	61
		110	⑫	0.72	75	1140	64

*rated data

Fan ordering information

Airflow direction V

Design K



Type FN031-4EK.0F.V7P2
Article no. 159478

Weight [kg] 4.90

Control technology

<p>Frequency inverter Fcontrol 1~</p>  <p>➤ Page 552</p>	<p>Motor protection units 1~</p>  <p>➤ Page 596</p>	<p>Transformer-based controllers 1~</p>  <p>➤ Page 587</p>	<p>Electronic voltage controllers 1~</p>  <p>➤ Page 562</p>
---	--	---	--

FE2owlet

for three phase alternating current, 4 pole

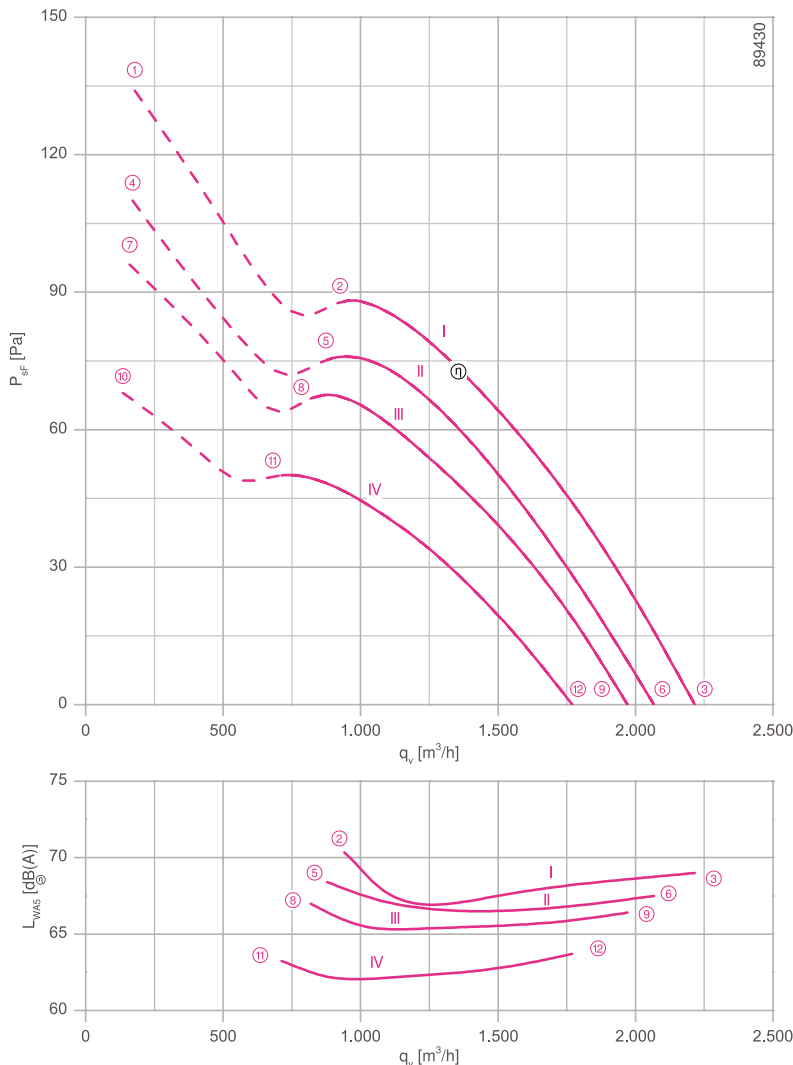
FNO31-4D



Description

Motor technology: AC
 Rated voltage U_N : 3~ 230/400 V (Δ/Y) ± 10 %*
 Rated frequency f_N : 50 Hz* (60Hz data available)
 Motor input power P_1 : 0.12 kW*
 Rated current I_N : 0.68/0.39 A*
 Rated speed n_N : 1450 min⁻¹*
 Starting current I_s : 2.80 A / 1.70 A
 Current increase ΔI : 0 %
 Thermal class: THCL155*
 Min. permitted conveyor temperature $t_{R(min)}$: -40 °C
 Max. permitted conveyor temperature $t_{R(max)}$: 70 °C
 Electrical connection: Terminal box
 Number of blades: 7
 Protection class: IP54
 Motor protection: Thermal contact
 Blades: High Performance Composite Material, uncoated, black
 Rotor: Aluminium, 1 coat paint, black
 Conformity: CE
ErP Data
 Is not subject to the ErP Guidelines ($P_1 < 125$ W)
 * Rated data

Characteristic curve



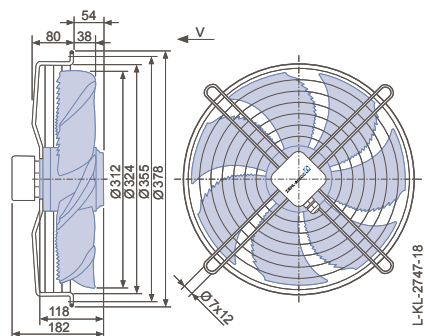
Measured in full bell mouth without guard grille in installation type A according to ISO 5801.

- Connection diagram 1360-106XA Page 608
- System components Page 524

Dimensions [mm]

Airflow direction V

Design K - axial bolted, mounted for short bell mouth E



Performance data


Type	Characteristic curve	Voltage	Operating point	Current	Motor input power	Speed	Suction side sound power level L_{WAS} [dB]
		U [V]		I [A]	P_1 [W]	n [min ⁻¹]	
FN031-4D_0F_7P2	I	400	①	0.40	140	1440	
		400*	②	0.39*	120*	1450*	70
		400	③	0.39	110	1460	69
	II	230	④	0.30	100	1310	
		230	⑤	0.28	90	1340	69
		230	⑥	0.25	75	1380	68
	III	190	⑦	0.32	90	1220	
		190	⑧	0.29	80	1260	67
		190	⑨	0.25	70	1320	66
	IV	145	⑩	0.33	75	1030	
		145	⑪	0.30	70	1090	63
		145	⑫	0.27	60	1180	64

*rated data

Fan ordering information

Airflow direction V





Design K



Type FN031-4DK.0F.V7P2
Article no. 159471

Weight [kg] 4.90

Control technology

<p>Frequency inverter Fcontrol 3~</p>  <p>➤ Page 558</p>	<p>Motor protection units 3~</p>  <p>➤ Page 596</p>	<p>Transformer-based controllers 3~</p>  <p>➤ Page 591</p>	<p>Electronic voltage controllers 3~</p>  <p>➤ Page 578</p>
---	--	---	--

FE2owlet

for single phase alternating current, 4 pole

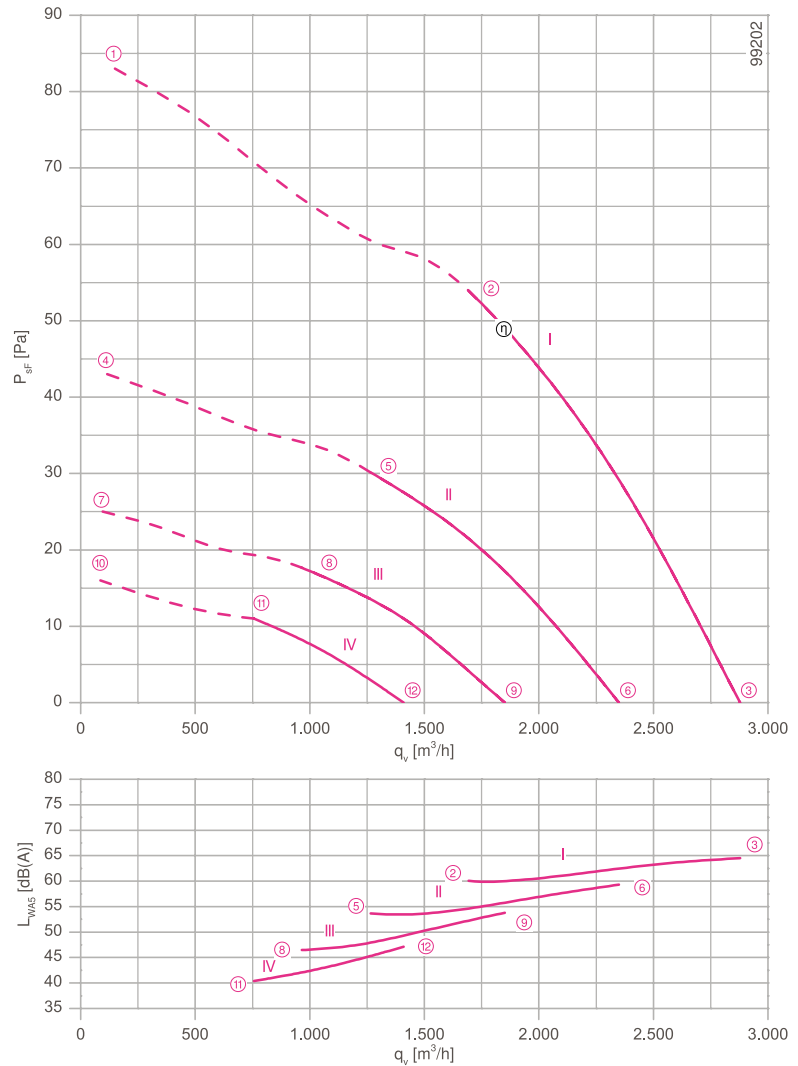
FN035-4E



Description

Motor technology: AC
 Rated voltage U_N : 1~ 230 V*
 Rated frequency f_N : 50 Hz* (60Hz data available)
 Motor input power P_1 : 0.13 kW*
 Rated current I_N : 0.56 A*
 Rated speed n_N : 1070 min⁻¹*
 Starting current I_A : 0.70 A
 Current increase ΔI : 0 %
 Service capacitor C_{400V} : 5.0 μ F
 Thermal class: **THCL155***
 Min. permitted conveyor temperature $t_{R(min)}$: -40 °C
 Max. permitted conveyor temperature $t_{R(max)}$: 60 °C
 Electrical connection: Supply cable variable 45 cm
 Number of blades: 7
 Motor protection: Thermal contact
 Blades: High Performance Composite Material, uncoated, black
 Rotor: Aluminium, 1 coat paint, Ultramarine blue
 Conformity: CE
ErP Data
 Is not subject to the ErP Guidelines ($P_1 < 125$ W)
 * Rated data

Characteristic curve



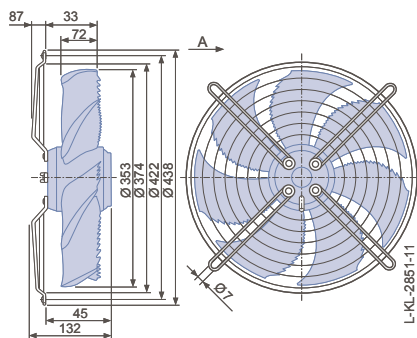
Measured in full bell mouth without guard grille in installation type A according to ISO 5801.

- Connection diagram 1360-177X Page 609
- System components Page 524

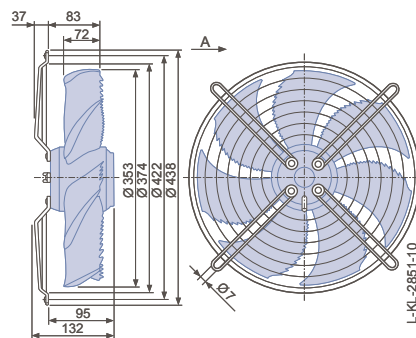
Dimensions [mm]

Airflow direction A

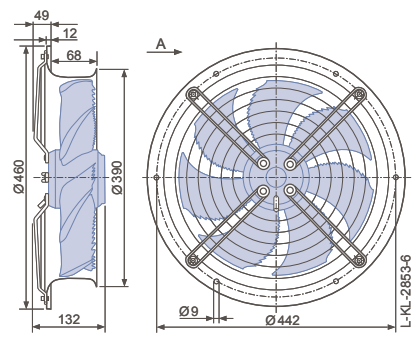
Design W - axial bolted, mounting for short bell mouth E



Design D - axial bolted, suspension for full bell mouth Q and L



Design L - round, full bell mouth


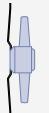
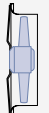

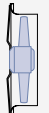
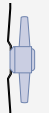


Performance data





Type	Characteristic curve	Voltage	Operating point	Current	Motor input power	Speed	Suction side sound power level L_{WA5} [dB]
		U [V]		I [A]	P_1 [W]	n [min ⁻¹]	
FN035-4E_WD_7	I	230	①	0.60	140	910	
		230*	②	0.56*	130*	1070*	60
		230	③	0.50	110	1220	65
	II	170	④	0.48	80	660	
		170	⑤	0.46	80	810	54
		170	⑥	0.44	70	1000	59
	III	135	⑦	0.39	55	510	
		135	⑧	0.38	50	620	47
		135	⑨	0.37	50	780	54
	IV	110	⑩	0.32	36	400	
		110	⑪	0.32	36	490	40
		110	⑫	0.32	34	610	47

*rated data

Fan ordering information

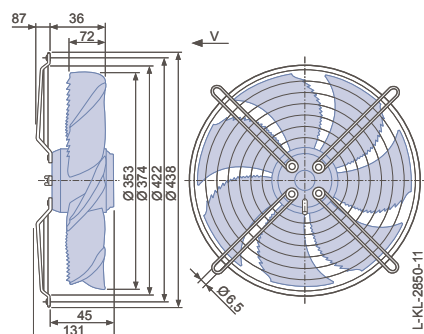
Design	Airflow direction A			Airflow direction V		
	W	D	L	K	H	I
						
Type	FN035-4EW.WD.A7	FN035-4ED.WD.A7	FN035-4EL.WD.A7	FN035-4EK.WD.V7	FN035-4EH.WD.V7	FN035-4EI.WD.V7
Article no.	162549	162547	162548	162545	162544	162543
Weight [kg]	4.90	4.50	6.50	4.90	6.50	4.50

Control technology

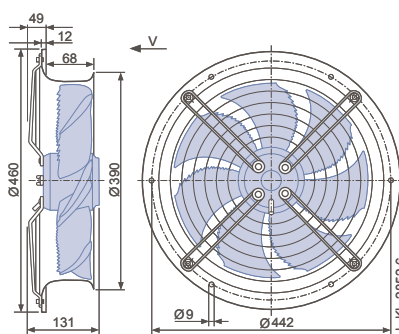
<p>Frequency inverter Fcontrol 1~</p>  <p>▶ Page 552</p>	<p>Motor protection units 1~</p>  <p>▶ Page 596</p>	<p>Transformer-based controllers 1~</p>  <p>▶ Page 587</p>	<p>Electronic voltage controllers 1~</p>  <p>▶ Page 562</p>
---	--	---	---

Airflow direction V

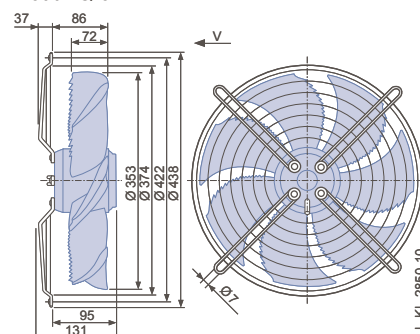
Design K - axial bolted, mounted for short bell mouth E



Design H - pipe sockets with a flange



Design I - axial bolted, mounting for bell mouth flange for pipe socket H or full bell mouth Q or L



FE2owlet

for single phase alternating current, 4 pole

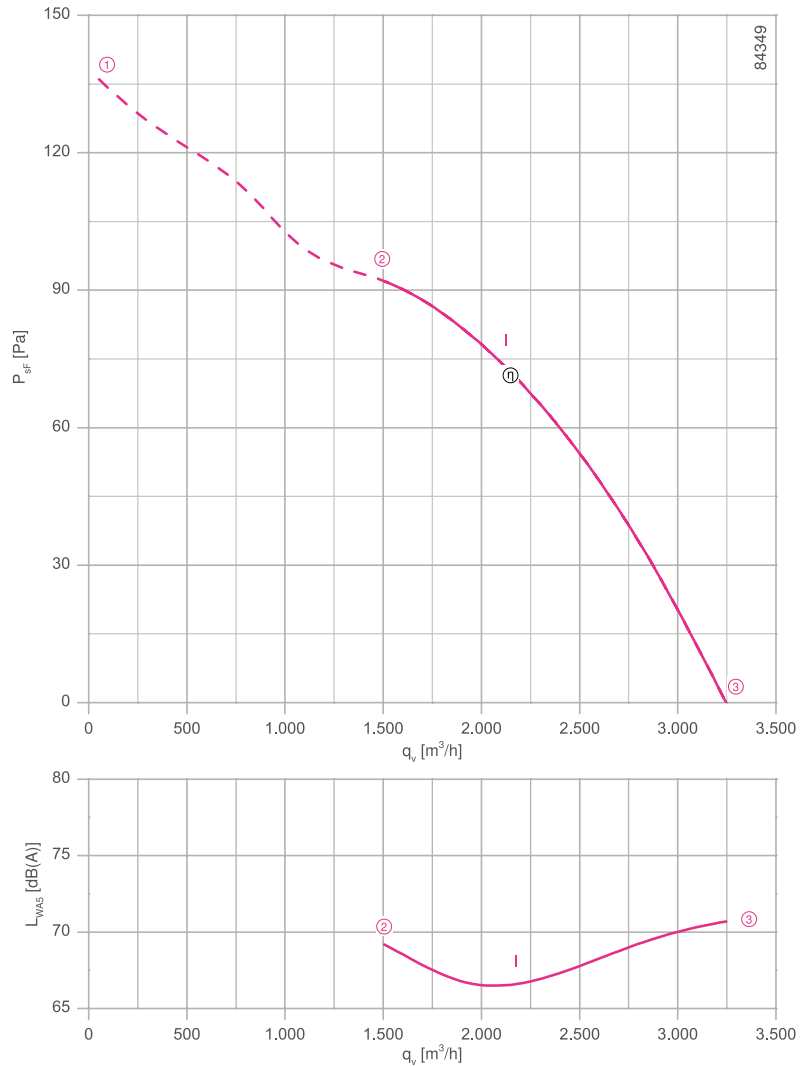
FN035-4E



Description

Motor technology: AC
 Rated voltage U_N : 1~ 230 V*
 Rated frequency f_N : 50 Hz*
 Motor input power P_1 : 0.18 kW*
 Rated current I_N : 0.77 A*
 Rated speed n_N : 1230 min⁻¹*
 Starting current I_s : 1.20 A
 Current increase ΔI : 0 %
 Service capacitor C_{400V} : 5.0 μ F
 Thermal class: **THCL155***
 Min. permitted conveyor temperature $t_{R(min)}$: -40 °C
 Max. permitted conveyor temperature $t_{R(max)}$: 60 °C
 Electrical connection: Supply cable variable 45 cm
 Number of blades: 7
 Motor protection: Thermal contact
 Blades: High Performance Composite Material, uncoated, black
 Rotor: Aluminium, 1 coat paint, Ultramarine blue
 Conformity: ErP 2013, CE
ErP Data
 Efficiency η_{statA} : 27.5 %
 Efficiency: $N_{actual} = 38.8 / N_{target} = 36^{**}$
 * Rated data
 **ErP 2013

Characteristic curve



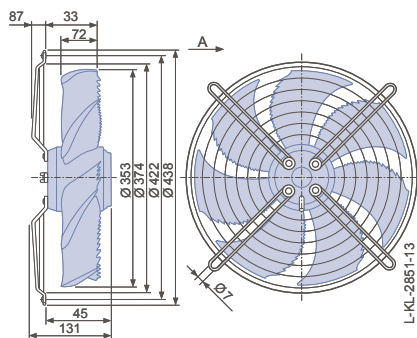
Measured in full bell mouth without guard grille in installation type A according to ISO 5801.

- Connection diagram 1360-177X Page 609
- System components Page 524

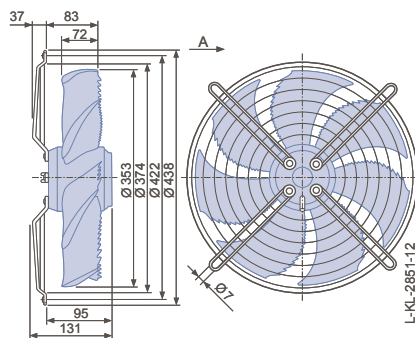
Dimensions [mm]

Airflow direction A

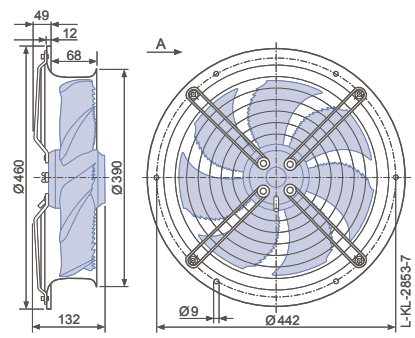
Design W - axial bolted, mounting for short bell mouth E



Design D - axial bolted, suspension for full bell mouth Q and L



Design L - round, full bell mouth



Performance data

Type	Characteristic curve	Voltage	Operating point	Current	Motor input power	Speed	Suction side sound power level
		U [V]		I [A]	P ₁ [W]	n [min ⁻¹]	
FN035-4E_WD_7	I	230	①	0.86	200	1140	69
		230*	②	0.78*	180*	1230*	
		230	③	0.58	130	1370	

*rated data

Fan ordering information

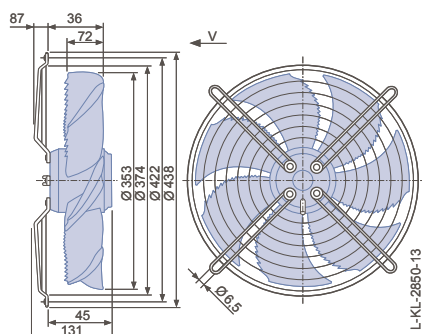
		Airflow direction A			Airflow direction V	
Design	W	D	L	K	H	I
Type	FN035-4EW.WD.A7	FN035-4ED.WD.A7	FN035-4EL.WD.A7	FN035-4EK.WD.V7	FN035-4EH.WD.V7	FN035-4EI.WD.V7
Article no.	141417	141415	141416	141420	141419	141418
Weight [kg]	4.90	4.50	6.50	4.90	6.50	4.50

Control technology

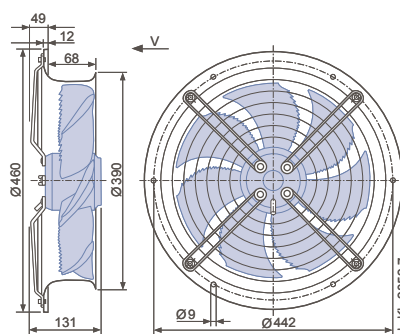
 Frequency inverter Fcontrol 1~ Page 552	 Motor protection units 1~ Page 596	 Transformer-based controllers 1~ Page 587	 Electronic voltage controllers 1~ Page 562
--	---	--	---

Airflow direction V

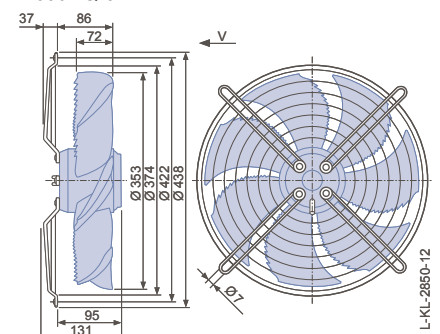
Design K - axial bolted, mounted for short bell mouth E



Design H - pipe sockets with a flange



Design I - axial bolted, mounting for bell mouth flange for pipe socket H or full bell mouth Q or L



FE2owlet

for single phase alternating current, 4 pole

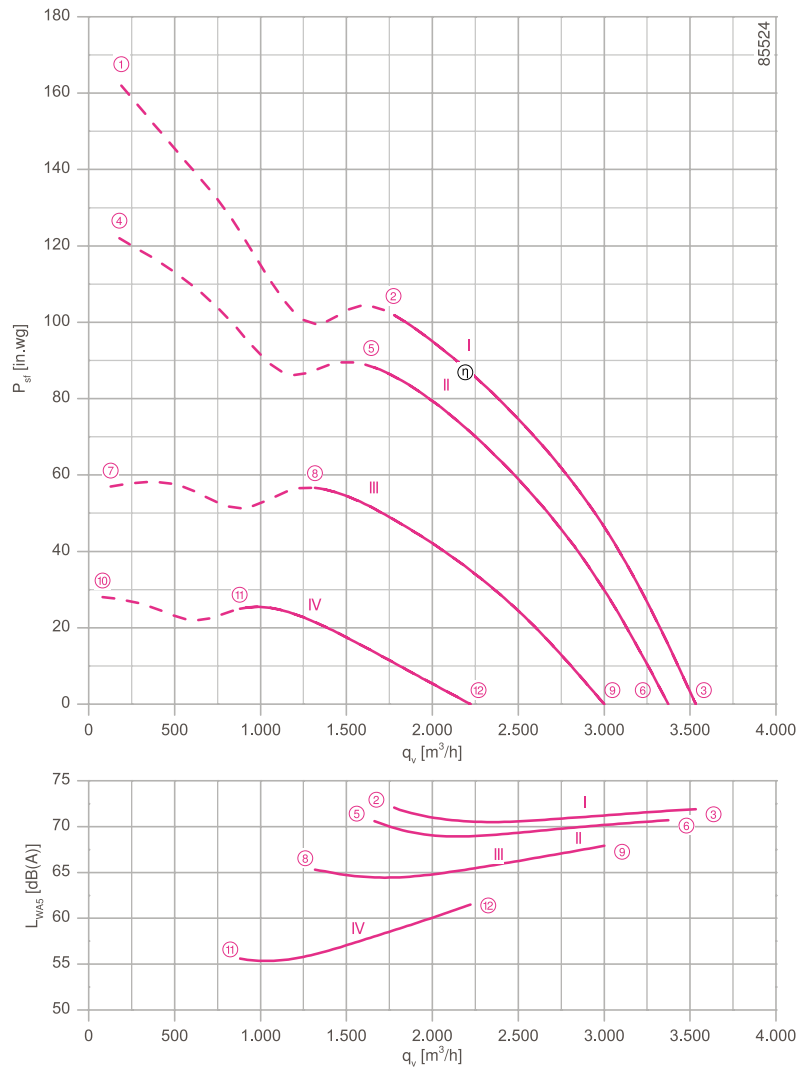
FNO35-4E



Description

Motor technology: AC
 Rated voltage U_N : 1~ 230 V±10 %*
 Rated frequency f_N : 50 Hz* (60Hz data available)
 Motor input power P_1 : 0.23 kW*
 Rated current I_N : 1.05 A*
 Rated speed n_N : 1410 min⁻¹*
 Starting current I_s : 3.00 A
 Current increase ΔI : 15 %
 Service capacitor C_{400V} : 6.0 µF
 Thermal class: **THCL155***
 Min. permitted conveyor temperature $t_{R(min)}$: -25 °C
 Max. permitted conveyor temperature $t_{R(max)}$: 70 °C
 Electrical connection: Terminal box
 Number of blades: 7
 Protection class: IP54
 Motor protection: Thermal contact
 Blades: High Performance Composite Material, uncoated, black
 Rotor: Aluminium, 1 coat paint, black
 Conformity: ErP 2013, CE
ErP Data
 Efficiency η_{statA} : 24.2 %
 Efficiency: $N_{actual} = 36.2 / N_{target} = 36$ **
 Frequency inverter required
 * Rated data
 **ErP 2013

Characteristic curve



Measured in full bell mouth without guard grille in installation type A according to ISO 5801.

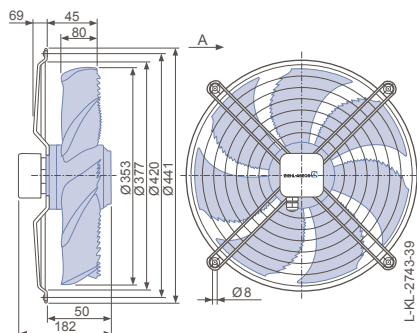
➤ Connection diagrams Page 608
 for airflow direction V 1360-104XA
 for airflow direction A 1360-104XB

➤ System components Page 524

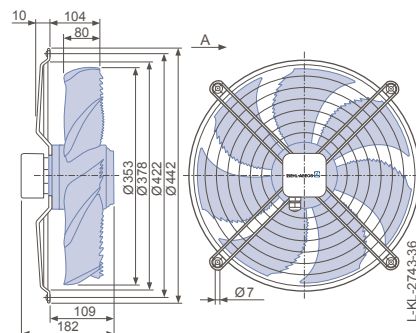
Dimensions [mm]

Airflow direction A

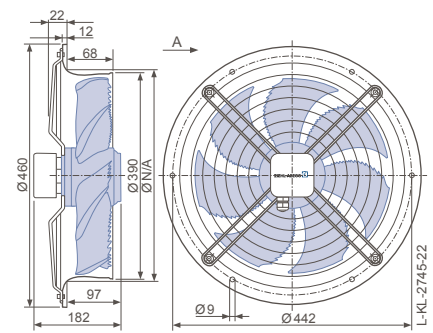
Design W - axial bolted, mounting for short bell mouth E



Design D - axial bolted, suspension for full bell mouth Q and L



Design L - round, full bell mouth









Performance data

Type	Characteristic curve	Voltage	Operating point	Current	Motor input power	Speed	Suction side sound power level
		U [V]		I [A]	P ₁ [W]	n [min ⁻¹]	
FN035-4E_OF_7P2	I	230	①	1.20	270	1370	72
		230*	②	1.05*	230*	1410*	
		230	③	0.98	210	1430	
	II	170	④	1.35	220	1190	71
		170	⑤	1.05	180	1310	
		170	⑥	0.90	150	1360	
	III	135	⑦	1.35	180	810	65
		135	⑧	1.20	160	1040	
		135	⑨	1.00	140	1220	
	IV	110	⑩	1.15	120	570	56
		110	⑪	1.15	120	700	
		110	⑫	1.10	120	900	

*rated data

Fan ordering information

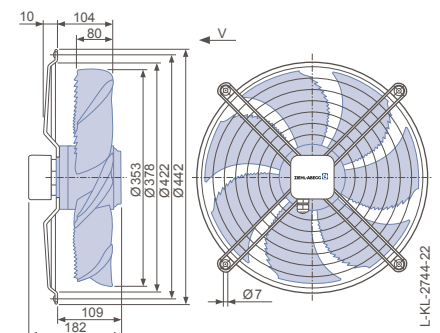
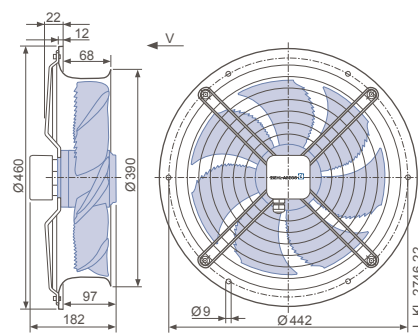
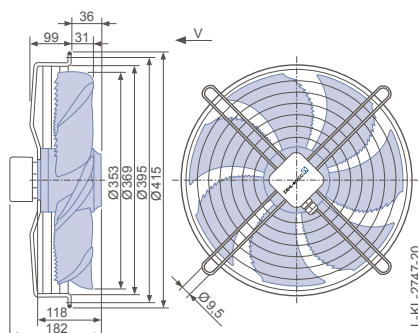
Design	Airflow direction A			Airflow direction V		
	W	D	L	K	H	I
						
Type	FN035-4EW.OF.A7P2	FN035-4ED.OF.A7P2	FN035-4EL.OF.A7P2	FN035-4EK.OF.V7P2	FN035-4EH.OF.V7P2	FN035-4EI.OF.V7P2
Article no.	155879	155877	155878	155883	155882	155881
Weight [kg]	5.10	4.80	6.80	5.30	6.80	4.70

Airflow direction V

Design K - axial bolted, mounted for short bell mouth E

Design H - pipe sockets with a flange

Design I - axial bolted, mounting for bell mouth flange for pipe socket H or full bell mouth Q or L



FE2owlet

for single phase alternating current, 6 pole

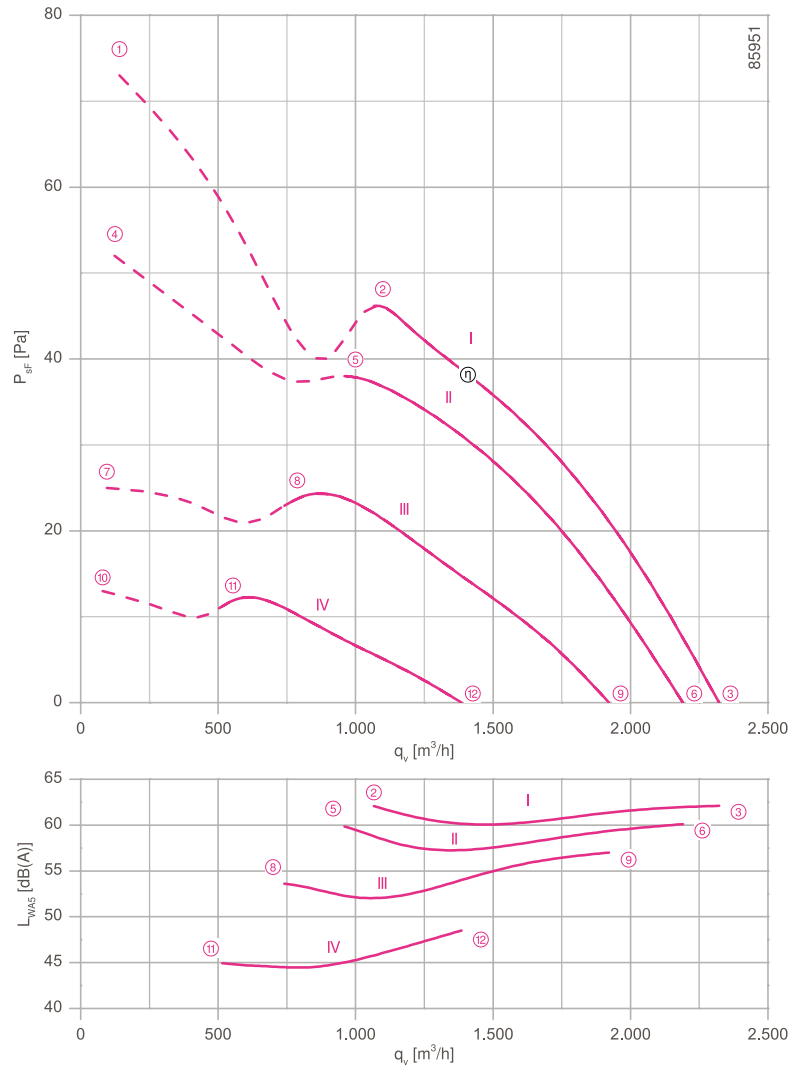
FN035-6E



Description

Motor technology: AC
 Rated voltage U_N : 1~ 230 V \pm 10 %*
 Rated frequency f_N : 50 Hz* (60Hz data available)
 Motor input power P_1 : 0.085 kW*
 Rated current I_N : 0.39 A*
 Rated speed n_N : 930 min⁻¹*
 Starting current I_A : 0.75 A
 Current increase ΔI : 0 %
 Service capacitor C_{400V} : 3.0 μ F
 Thermal class: **THCL155***
 Min. permitted conveyor temperature $t_{R(min)}$: -25 °C
 Max. permitted conveyor temperature $t_{R(max)}$: 70 °C
 Electrical connection: Terminal box
 Number of blades: 7
 Protection class: IP54
 Motor protection: Thermal contact
 Blades: High Performance Composite Material, uncoated, black
 Rotor: Aluminium, 1 coat paint, black
 Conformity: CE
ErP Data
 Is not subject to the ErP Guidelines ($P_1 < 125$ W)
 * Rated data

Characteristic curve



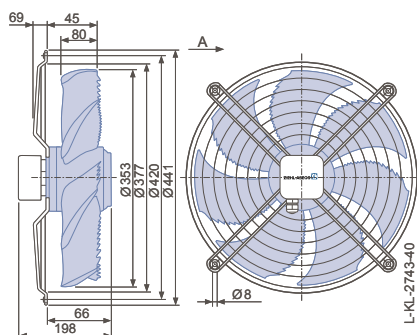
Measured in full bell mouth without guard grille in installation type A according to ISO 5801.

- Connection diagrams Page 608
 - for airflow direction V 1360-104XA
 - for airflow direction A 1360-104XB
- System components Page 524

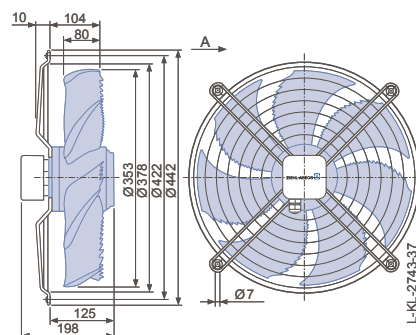
Dimensions [mm]

Airflow direction A

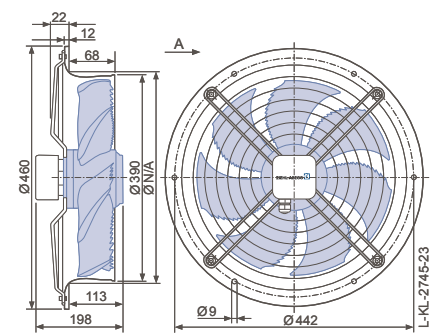
Design W - axial bolted, mounting for short bell mouth E



Design D - axial bolted, suspension for full bell mouth Q and L



Design L - round, full bell mouth



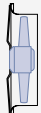





Performance data

Type	Characteristic curve	Voltage	Operating point	Current	Motor input power	Speed	Suction side sound power level
		U [V]		I [A]	P ₁ [W]	n [min ⁻¹]	
FN035-6E_0C_7P2	I	230	①	0.42	95	900	62
		230*	②	0.39*	85*	930*	
		230	③	0.37	80	940	
	II	170	④	0.42	70	760	60
		170	⑤	0.36	60	850	
		170	⑥	0.31	55	890	
	III	135	⑦	0.38	50	530	54
		135	⑧	0.36	48	670	
		135	⑨	0.32	42	780	
	IV	110	⑩	0.33	36	390	45
		110	⑪	0.32	34	470	
		110	⑫	0.31	34	570	

*rated data

Fan ordering information

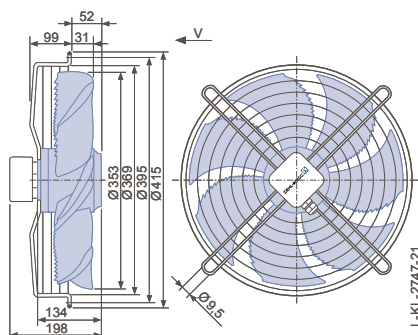
Airflow direction A				Airflow direction V			
Design	W	D	L	K	H	I	
							
Type	FN035-6EW.0C.A7P2	FN035-6ED.0C.A7P2	FN035-6EL.0C.A7P2	FN035-6EK.0C.V7P2	FN035-6EH.0C.V7P2	FN035-6EI.0C.V7P2	
Article no.	155897	155895	155896	155901	155900	155899	
Weight [kg]	4.50	4.10	6.10	4.60	6.10	4.10	

Control technology

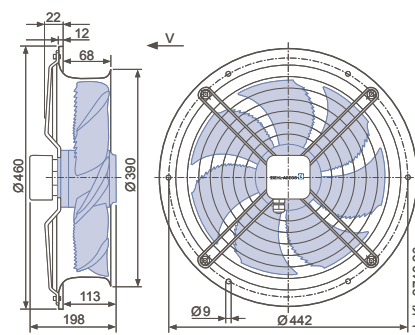
<p>Frequency inverter Fcontrol 1~</p>  <p>➤ Page 552</p>	<p>Motor protection units 1~</p>  <p>➤ Page 596</p>	<p>Transformer-based controllers 1~</p>  <p>➤ Page 587</p>	<p>Electronic voltage controllers 1~</p>  <p>➤ Page 562</p>
---	--	---	---

Airflow direction V

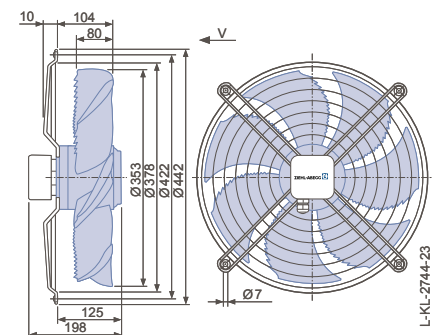
Design K - axial bolted, mounted for short bell mouth E



Design H - pipe sockets with a flange



Design I - axial bolted, mounting for bell mouth flange for pipe socket H or full bell mouth Q or L



FE2owlet

for three phase alternating current, 4-4 pole

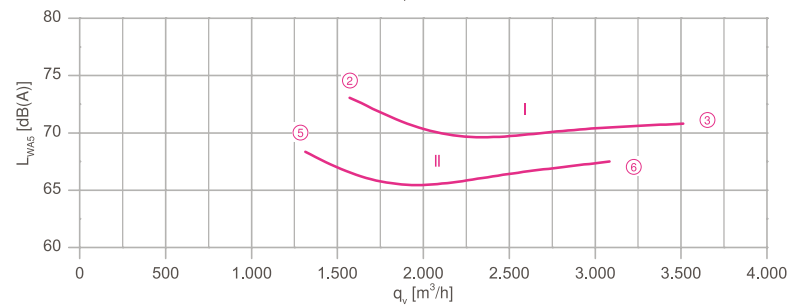
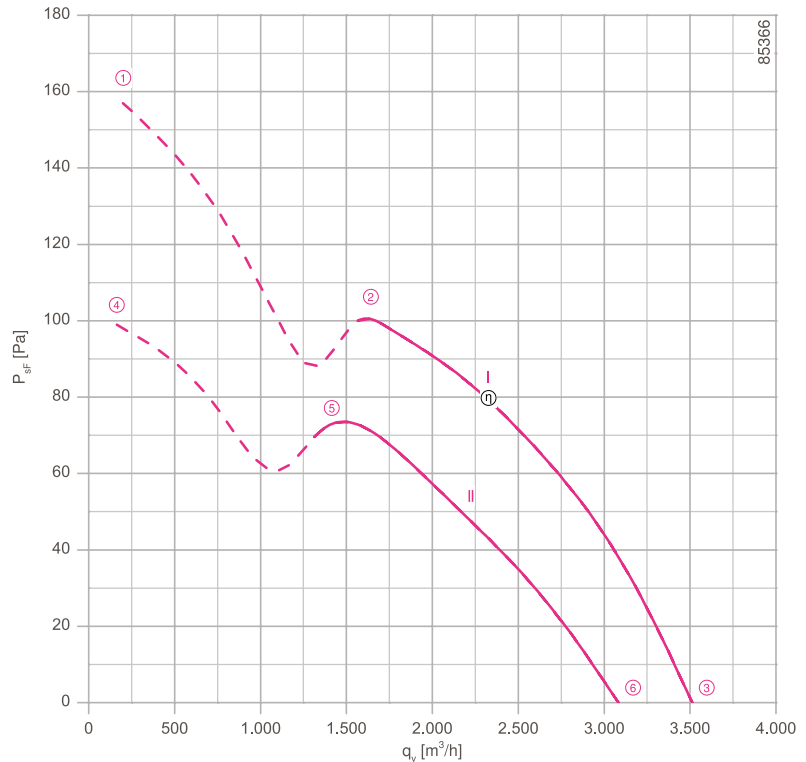
FN035-VD



Description

Motor technology: AC
 Rated voltage U_N : 3- 400 V (Δ/Y) $\pm 10\%$ *
 Rated frequency f_N : 50 Hz* (60Hz data available)
 Motor input power P_1 : 0.19/0.14 kW*
 Rated current I_N : 0.40/0.23 A*
 Rated speed n_N : 1390/1170 min⁻¹*
 Starting current I_s : 1.60 A / 0.55 A
 Current increase ΔI : 0 %
 Thermal class: THCL155*
 Min. permitted conveyor temperature $t_{R(min)}$: -40 °C
 Max. permitted conveyor temperature $t_{R(max)}$: 70 °C
 Electrical connection: Terminal box
 Number of blades: 7
 Protection class: IP54
 Motor protection: Thermal contact
 Blades: High Performance Composite Material, uncoated, black
 Rotor: Aluminium, 1 coat paint, black
 Conformity: ErP 2015, CE
ErP Data
 Efficiency η_{statA} : 29.3 %
 Efficiency: $N_{actual} = 40.3 / N_{target} = 40$ **
 * Rated data
 **ErP 2015

Characteristic curve



Measured in full bell mouth without guard grille in installation type A according to ISO 5801.

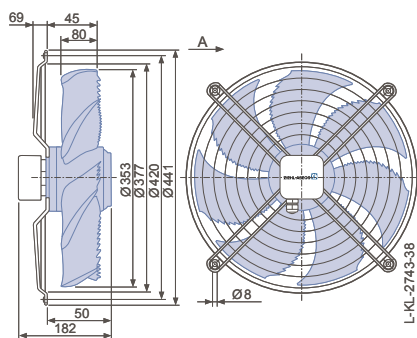
➤ Connection diagrams Page 608
 for airflow direction V 1360-108XA
 for airflow direction A 1360-108XB

➤ System components Page 524

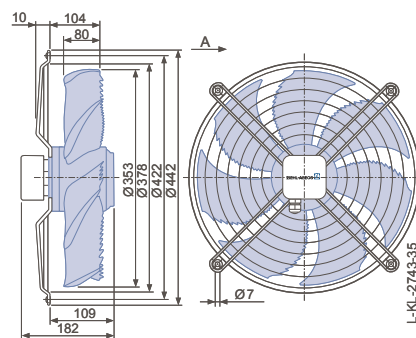
Dimensions [mm]

Airflow direction A

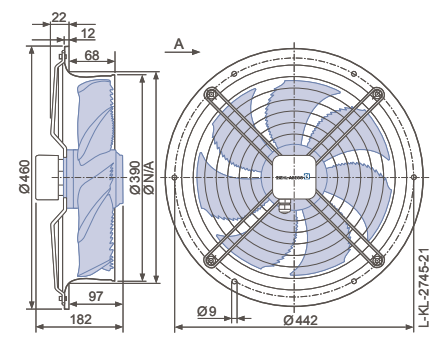
Design W - axial bolted, mounting for short bell mouth E



Design D - axial bolted, suspension for full bell mouth Q and L



Design L - round, full bell mouth









Performance data





Type	Connection	Characteristic curve	Voltage	Operating point	Current	Motor input power	Speed	Suction side sound power level L_{WA5} [dB]
			U [V]					
FN035-VD_OF_7P2	Δ	I	400	①	0.44	230	1360	
			400*	②	0.40*	190*	1390*	73
			400	③	0.37	150	1420	71
	Y	II	400	④	0.27	170	1080	
			400*	⑤	0.23*	140*	1170*	68
			400	⑥	0.19	120	1240	68

*rated data

Fan ordering information

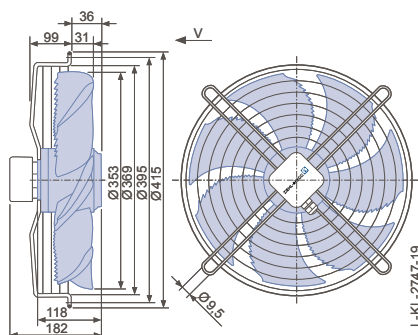
Design	Airflow direction A			Airflow direction V		
	W	D	L	K	H	I
						
Type	FN035-VDW.0F.A7P2	FN035-VDD.0F.A7P2	FN035-VDL.0F.A7P2	FN035-VDK.0F.V7P2	FN035-VDH.0F.V7P2	FN035-VDI.0F.V7P2
Article no.	155888	155886	155887	155892	155891	155890
Weight [kg]	5.10	4.80	6.80	5.30	6.80	4.70

Control technology

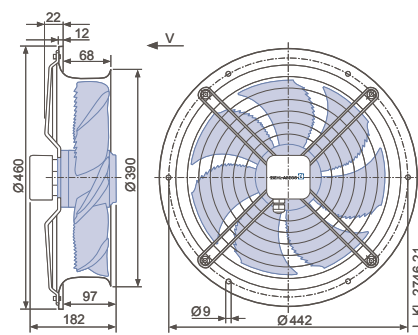
<p>Frequency inverter Fcontrol 3~</p>  <p>➤ Page 558</p>	<p>Motor protection units 3~</p>  <p>➤ Page 596</p>	<p>Transformer-based controllers 3~</p>  <p>➤ Page 591</p>	<p>Electronic voltage controllers 3~</p>  <p>➤ Page 578</p>
--	---	--	---

Airflow direction V

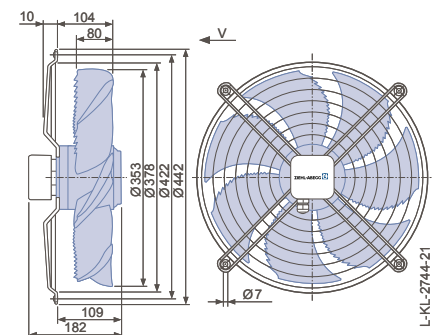
Design K - axial bolted, mounted for short bell mouth E



Design H - pipe sockets with a flange



Design I - axial bolted, mounting for bell mouth flange for pipe socket H or full bell mouth Q or L



FE2owlet

for single phase alternating current, 4 pole

FNO40-4E



Description

Motor technology: AC
 Rated voltage U_N : 1~ 230 V±10 %*
 Rated frequency f_N : 50 Hz* (60Hz data available)
 Motor input power P_1 : 0.24 kW*
 Rated current I_N : 1.05 A*
 Rated speed n_N : 1340 min⁻¹*
 Starting current I_s : 2.40 A
 Current increase ΔI : 15 %
 Service capacitor C_{400V} : 5.0 µF
 Thermal class: **THCL155***
 Min. permitted conveyor temperature $t_{R(min)}$: -25 °C
 Max. permitted conveyor temperature $t_{R(max)}$: 65 °C
 Electrical connection: Terminal box
 Number of blades: 7
 Protection class: IP54
 Motor protection: Thermal contact
 Blades: High Performance Composite Material, uncoated, black
 Rotor: Aluminium, 1 coat paint, black
 Conformity: ErP 2015, CE

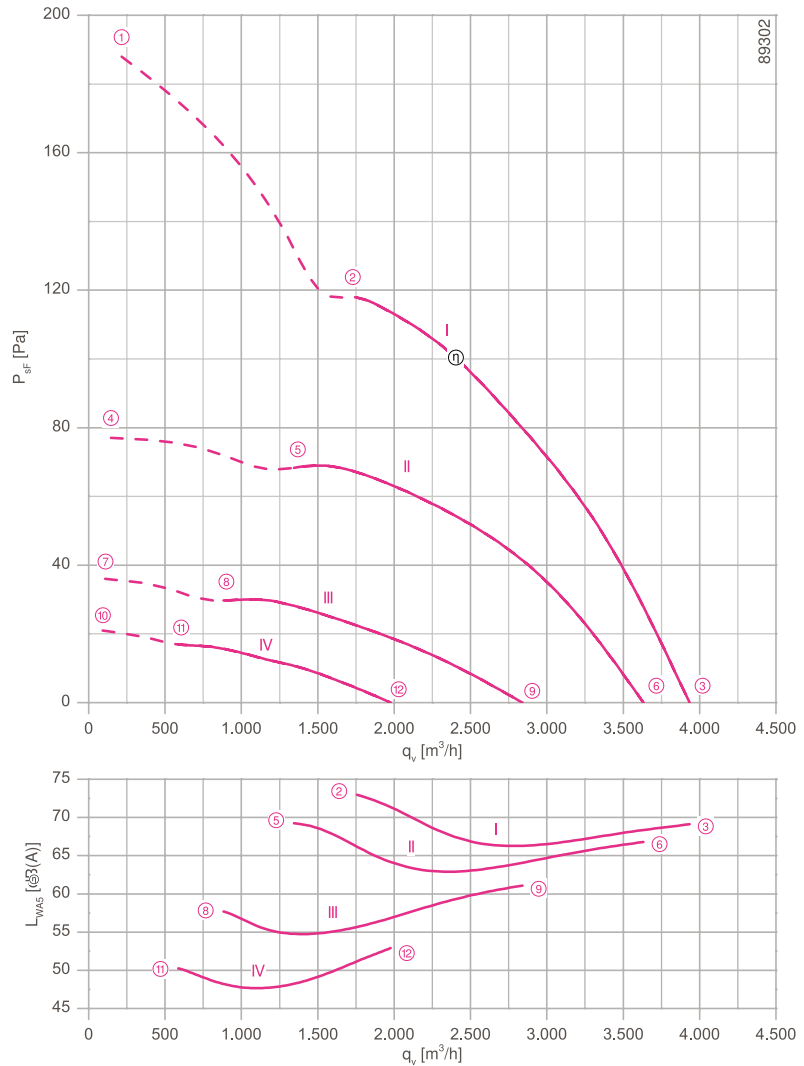
ErP Data

Efficiency η_{statA} : 31.1 %
 Efficiency: $N_{actual} = 41.3 / N_{target} = 40^{**}$
 * Rated data
 **ErP 2015

➤ Connection diagrams Page 608
 for airflow direction V 1360-104XA
 for airflow direction A 1360-104XB

➤ System components Page 524

Characteristic curve

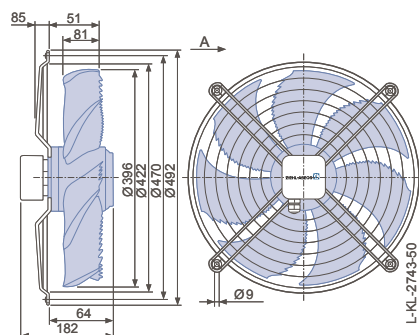


Measured in full bell mouth without guard grille in installation type A according to ISO 5801.

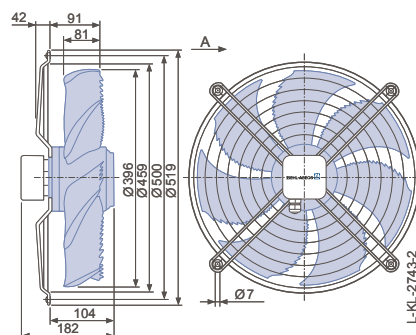
Dimensions [mm]

Airflow direction A

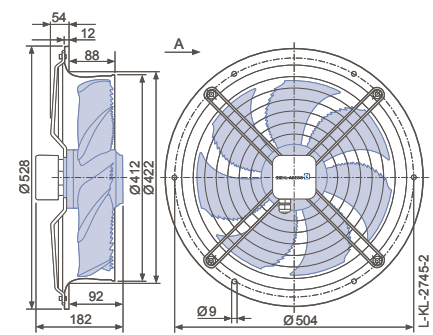
Design W - axial bolted, mounting for short bell mouth E



Design D - axial bolted, suspension for full bell mouth Q and L



Design L - round, full bell mouth



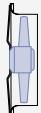

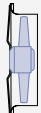



Performance data

Type	Characteristic curve	Voltage	Operating point	Current	Motor input power	Speed	Suction side sound power level
		U [V]		I [A]	P ₁ [W]	n [min ⁻¹]	
FN040-4E_0F_7P1	I	230	①	1.30	300	1260	
		230*	②	1.05*	240*	1340*	73
		230	③	0.80	180	1410	69
	II	170	④	1.35	220	810	
		170	⑤	1.20	200	1030	69
		170	⑥	0.86	150	1310	67
	III	135	⑦	1.10	150	550	
		135	⑧	1.10	140	690	57
		135	⑨	0.96	130	1020	61
	IV	110	⑩	0.94	100	430	
		110	⑪	0.92	95	510	50
		110	⑫	0.88	95	710	53

*rated data

Fan ordering information

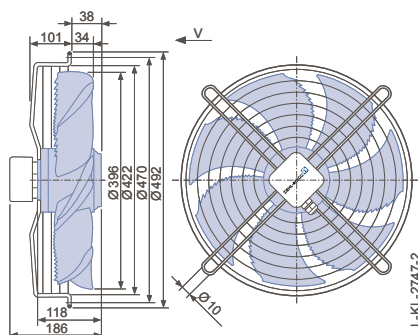
Design	W	D	L	K	H	I
						
Type	FN040-4EW.0F.A7P1	FN040-4ED.0F.A7P1	FN040-4EL.0F.A7P1	FN040-4EK.0F.V7P1	FN040-4EH.0F.V7P1	FN040-4EI.0F.V7P1
Article no.	156650	152722	152723	152728	152727	152726
Weight [kg]	5.60	5.10	7.80	5.50	7.80	5.10

Control technology

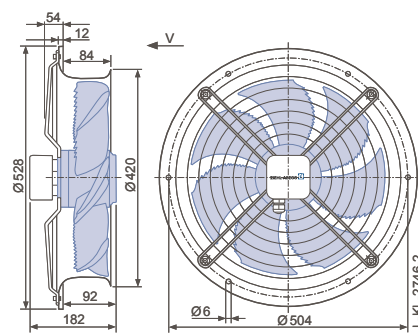
<p>Frequency inverter Fcontrol 1~</p>  <p>➤ Page 552</p>	<p>Motor protection units 1~</p>  <p>➤ Page 596</p>	<p>Transformer-based controllers 1~</p>  <p>➤ Page 587</p>	<p>Electronic voltage controllers 1~</p>  <p>➤ Page 562</p>
---	--	---	--

Airflow direction V

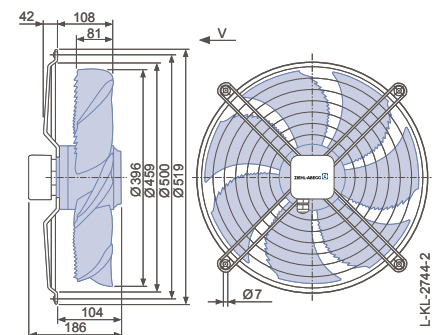
Design K - axial bolted, mounted for short bell mouth E



Design H - pipe sockets with a flange



Design I - axial bolted, mounting for bell mouth flange for pipe socket H or full bell mouth Q or L



FE2owlet

for single phase alternating current, 4 pole

FNO40-4E



Description

Motor technology: AC
 Rated voltage U_N : 1~ 230 V \pm 10 %*
 Rated frequency f_N : 50 Hz*
 Motor input power P_1 : 0.26 kW*
 Rated current I_N : 1.15 A*
 Rated speed n_N : 1320 min⁻¹*
 Current increase ΔI : 10 %
 Service capacitor C_{400V} : 5.0 μ F
 Thermal class: THCL155*
 Min. permitted conveyor temperature $t_{R(min)}$: -25 °C
 Max. permitted conveyor temperature $t_{R(max)}$: 55 °C
 Electrical connection: Terminal box
 Number of blades: 7
 Protection class: IP54
 Motor protection: Thermal contact
 Blades: High Performance Composite Material, uncoated, black
 Rotor: Aluminium, 1 coat paint, black
 Conformity: ErP 2015, CE

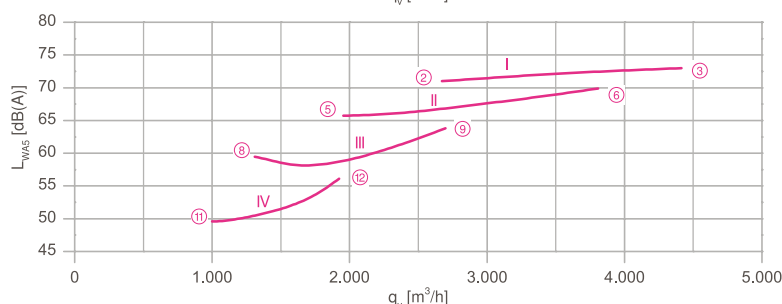
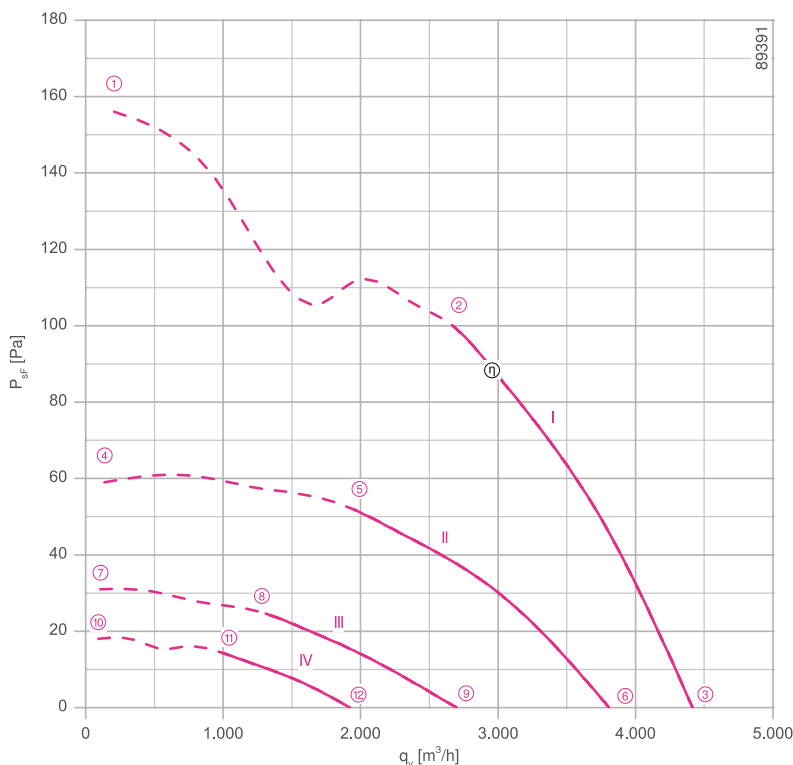
ErP Data

Efficiency η_{statA} : 30.0 %
 Efficiency: $N_{actual} = 40.0 / N_{target} = 40$ **
 * Rated data
 **ErP 2015

➤ Connection diagrams Page 608
 for airflow direction V 1360-104XA
 for airflow direction A 1360-104XB

➤ System components Page 524

Characteristic curve

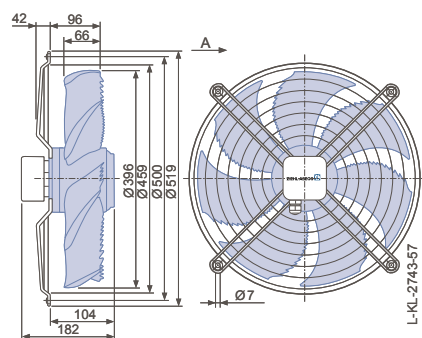


Measured in full bell mouth without guard grille in installation type A according to ISO 5801.

Dimensions [mm]

Airflow direction A

Design D - axial bolted, suspension for full bell mouth Q and L





Performance data

Type	Characteristic curve	Voltage	Operating point	Current	Motor input power	Speed	Suction side sound power level
		U [V]		I [A]	P ₁ [W]	n [min ⁻¹]	
FN040-4E_OF_7P2	I	230	①	1.45	330	1190	
		230*	②	1.15*	260*	1320*	71
		230	③	0.92	210	1380	73
	II	170	④	1.35	220	730	
		170	⑤	1.25	210	960	66
		170	⑥	1.05	180	1200	70
	III	135	⑦	1.10	150	540	
		135	⑧	1.10	140	660	59
		135	⑨	1.05	140	850	64
	IV	110	⑩	0.92	95	420	
		110	⑪	0.92	95	500	50
		110	⑫	0.90	95	610	56

*rated data

Fan ordering information

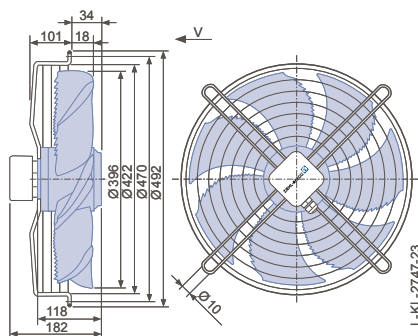
Airflow direction A		Airflow direction V	
Design	D		K
			
Type	FN040-4ED.0F.A7P2		FN040-4EK.0F.V7P2
Article no.	156231		156236
Weight [kg]	5.10		5.70

Control technology

<p>Frequency inverter Fcontrol 1~</p>  <p>➤ Page 552</p>	<p>Motor protection units 1~</p>  <p>➤ Page 596</p>	<p>Transformer-based controllers 1~</p>  <p>➤ Page 587</p>	<p>Electronic voltage controllers 1~</p>  <p>➤ Page 562</p>
---	--	---	---

Airflow direction V

Design K - axial bolted, mounted for short bell mouth E



FE2owlet

for single phase alternating current, 4 pole

FNO40-4E



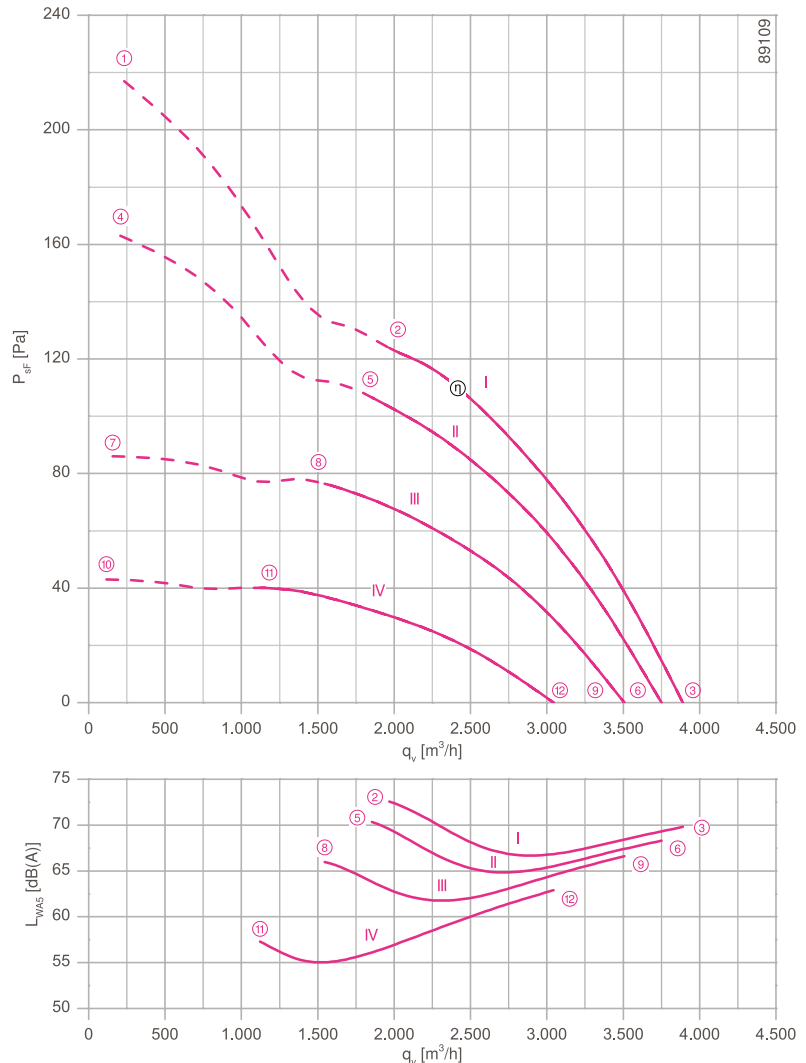
Description

- Motor technology: AC
- Rated voltage U_N : 1~ 230 V \pm 10 %*
- Rated frequency f_N : 50 Hz* (60Hz data available)
- Motor input power P_1 : 0.28 kW*
- Rated current I_N : 1.30 A*
- Rated speed n_N : 1380 min⁻¹*
- Starting current I_s : 4.00 A
- Current increase ΔI : 15 %
- Service capacitor C_{400V} : 7.0 μ F
- Thermal class: **THCL155***
- Min. permitted conveyor temperature $t_{R(min)}$: -25 °C
- Max. permitted conveyor temperature $t_{R(max)}$: 70 °C
- Electrical connection: Terminal box
- Number of blades: 7
- Protection class: IP44
- Motor protection: Thermal contact
- Blades: High Performance Composite Material, uncoated, black
- Rotor: Aluminium, 1 coat paint, black
- Conformity: ErP 2013, CE
- ErP Data**
- Efficiency η_{statA} : 26.7 %
- Efficiency: $N_{actual} = 36.6 / N_{target} = 36^{**}$
- * Rated data
- **ErP 2013

- Connection diagrams Page 608
 - for airflow direction V 1360-104XA
 - for airflow direction A 1360-104XB

- System components Page 524

Characteristic curve



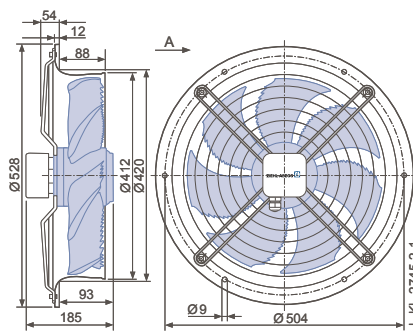
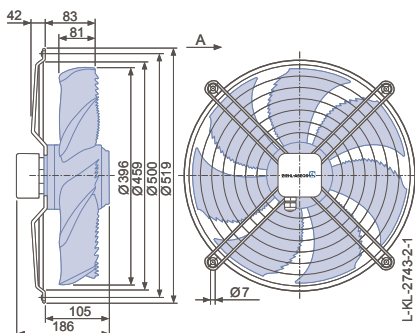
Measured in full bell mouth without guard grille in installation type A according to ISO 5801.

Dimensions [mm]

Airflow direction A

Design D - axial bolted, suspension for full bell mouth Q and L

Design L - round, full bell mouth








Performance data

Type	Characteristic curve	Voltage	Operating point	Current	Motor input power	Speed	Suction side sound power level
		U [V]		I [A]	P ₁ [W]	n [min ⁻¹]	
FN040-4E_2F_7P1	I	230	①	1.50	330	1340	
		230*	②	1.30*	280*	1380*	73
		230	③	1.10	230	1420	70
	II	170	④	1.65	280	1160	
		170	⑤	1.30	220	1280	70
		170	⑥	0.96	160	1370	68
	III	135	⑦	1.75	230	840	
		135	⑧	1.45	190	1080	66
		135	⑨	1.05	140	1280	67
	IV	110	⑩	1.55	160	600	
		110	⑪	1.45	150	790	57
		110	⑫	1.15	120	1110	63

*rated data

Fan ordering information

Airflow direction A		Airflow direction V			
Design	D	L	K	H	I
					
Type	FN040-4ED.2F.A7P1	FN040-4EL.2F.A7P1	FN040-4EK.2F.V7P1	FN040-4EH.2F.V7P1	FN040-4EI.2F.V7P1
Article no.	154295	154296	154300	154299	154298
Weight [kg]	5.80	8.40	6.20	8.40	5.80

Control technology

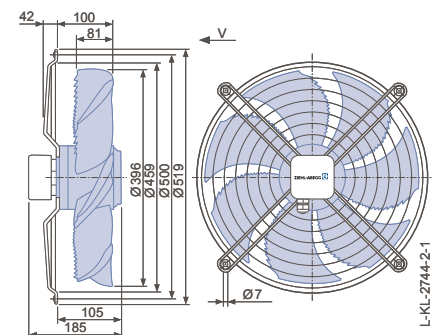
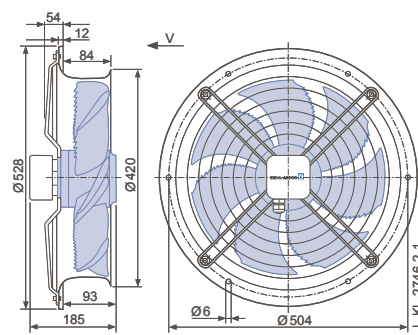
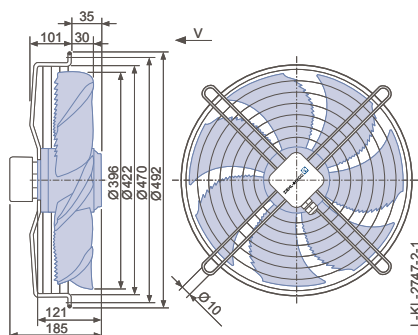
<p>Frequency inverter Fcontrol 1~</p>  <p>Page 552</p>	<p>Motor protection units 1~</p>  <p>Page 596</p>	<p>Transformer-based controllers 1~</p>  <p>Page 587</p>	<p>Electronic voltage controllers 1~</p>  <p>Page 562</p>
---	--	---	--

Airflow direction V

Design K - axial bolted, mounted for short bell mouth E

Design H - pipe sockets with a flange

Design I - axial bolted, mounting for bell mouth flange for pipe socket H or full bell mouth Q or L



FE2owlet

for single phase alternating current, 6 pole

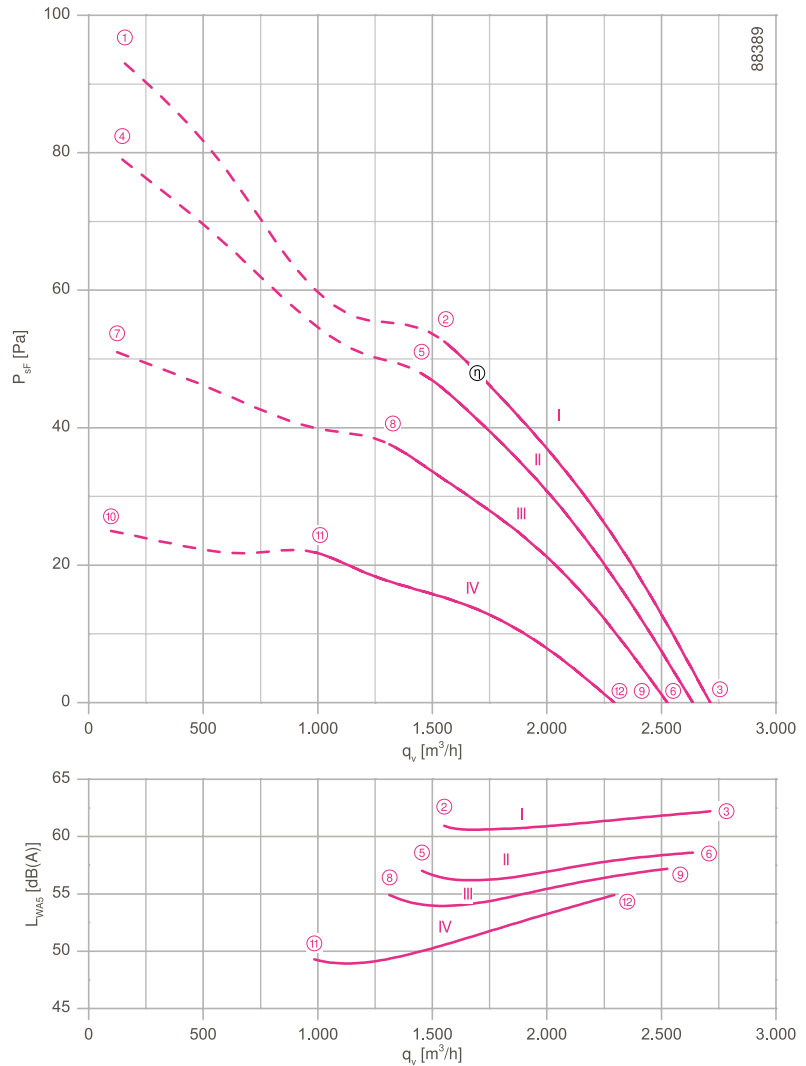
FNO40-6E



Description

Motor technology: AC
 Rated voltage U_N : 1~ 230 V \pm 10 %*
 Rated frequency f_N : 50 Hz* (60Hz data available)
 Motor input power P_1 : 0.13 kW*
 Rated current I_N : 0.60 A*
 Rated speed n_N : 950 min⁻¹*
 Starting current I_s : 1.20 A
 Current increase ΔI : 0 %
 Service capacitor C_{400V} : 5.0 μ F
 Thermal class: **THCL155***
 Min. permitted conveyor temperature $t_{R(min)}$: -25 °C
 Max. permitted conveyor temperature $t_{R(max)}$: 70 °C
 Electrical connection: Terminal box
 Number of blades: 7
 Protection class: IP54
 Motor protection: Thermal contact
 Blades: High Performance Composite Material, uncoated, black
 Rotor: Aluminium, 1 coat paint, black
 Conformity: CE
ErP Data
 Is not subject to the ErP Guidelines ($P_1 < 125$ W)
 * Rated data

Characteristic curve



Measured in full bell mouth without guard grille in installation type A according to ISO 5801.

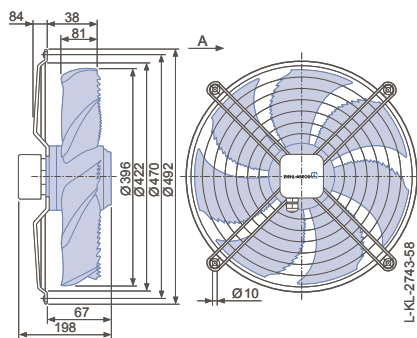
➤ Connection diagrams Page 608
 for airflow direction V 1360-104XA
 for airflow direction A 1360-104XB

➤ System components Page 524

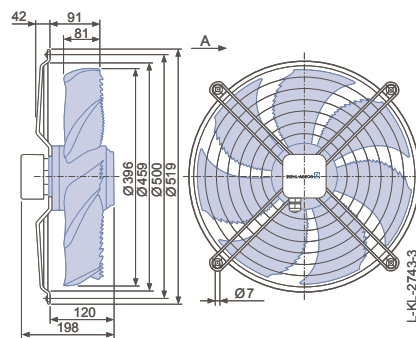
Dimensions [mm]

Airflow direction A

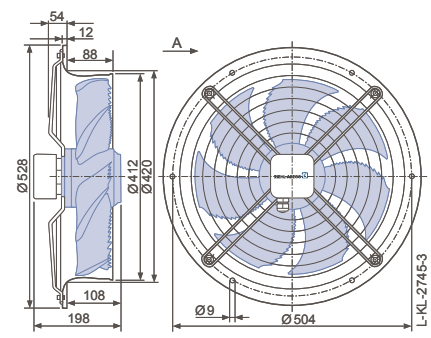
Design W - axial bolted, mounting for short bell mouth E



Design D - axial bolted, suspension for full bell mouth Q and L



Design L - round, full bell mouth



Performance data

Type	Characteristic curve	Voltage	Operating point	Current	Motor input power	Speed	Suction side sound power level L_{WA5} [dB]
		U [V]		I [A]	P_1 [W]	n [min ⁻¹]	
FN040-6E_OF_7P1	I	230	①	0.64	140	930	
		230*	②	0.60*	130*	950*	61
		230	③	0.56	120	970	62
	II	170	④	0.56	95	860	
		170	⑤	0.50	85	900	57
		170	⑥	0.42	70	940	59
	III	135	⑦	0.58	75	690	
		135	⑧	0.50	70	800	55
		135	⑨	0.40	55	900	57
	IV	110	⑩	0.52	55	490	
		110	⑪	0.50	55	610	49
		110	⑫	0.42	46	820	55

*rated data

Fan ordering information

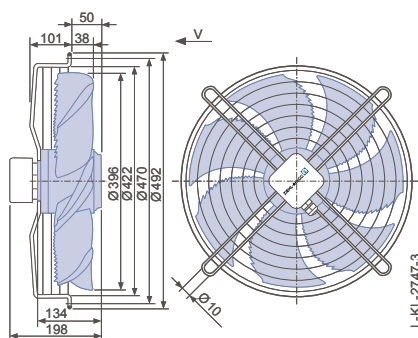
Airflow direction A				Airflow direction V		
Design	W	D	L	K	Q	H
Type	FN040-6EW.0F.A7P1	FN040-6ED.0F.A7P1	FN040-6EL.0F.A7P1	FN040-6EK.0F.V7P1	FN040-6EQ.0F.V7P1	FN040-6EH.0F.V7P1
Article no.	155290	152910	152911	152915	152916	152914
Weight [kg]	5.70	5.10	7.80	5.50	8.70	7.80

Control technology

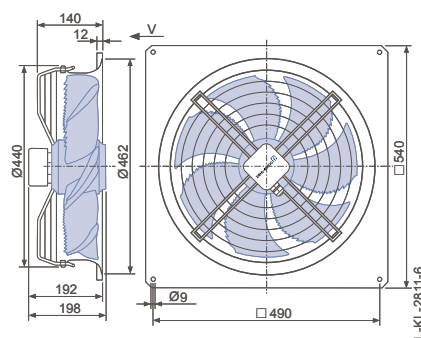
<p>Frequency inverter Fcontrol 1~</p> <p>➤ Page 552</p>	<p>Motor protection units 1~</p> <p>➤ Page 596</p>	<p>Transformer-based controllers 1~</p> <p>➤ Page 587</p>	<p>Electronic voltage controllers 1~</p> <p>➤ Page 562</p>
---	--	---	--

Airflow direction V

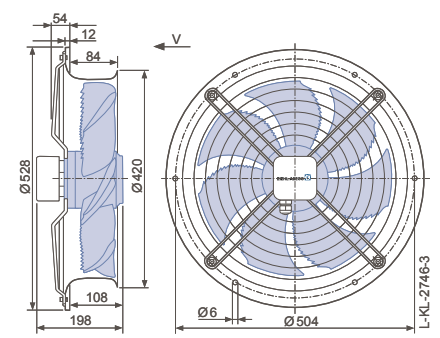
Design K - axial bolted, mounted for short bell mouth E



Design Q - square, full bell mouth



Design H - pipe sockets with a flange



FE2owlet

for three phase alternating current, 4-4 pole

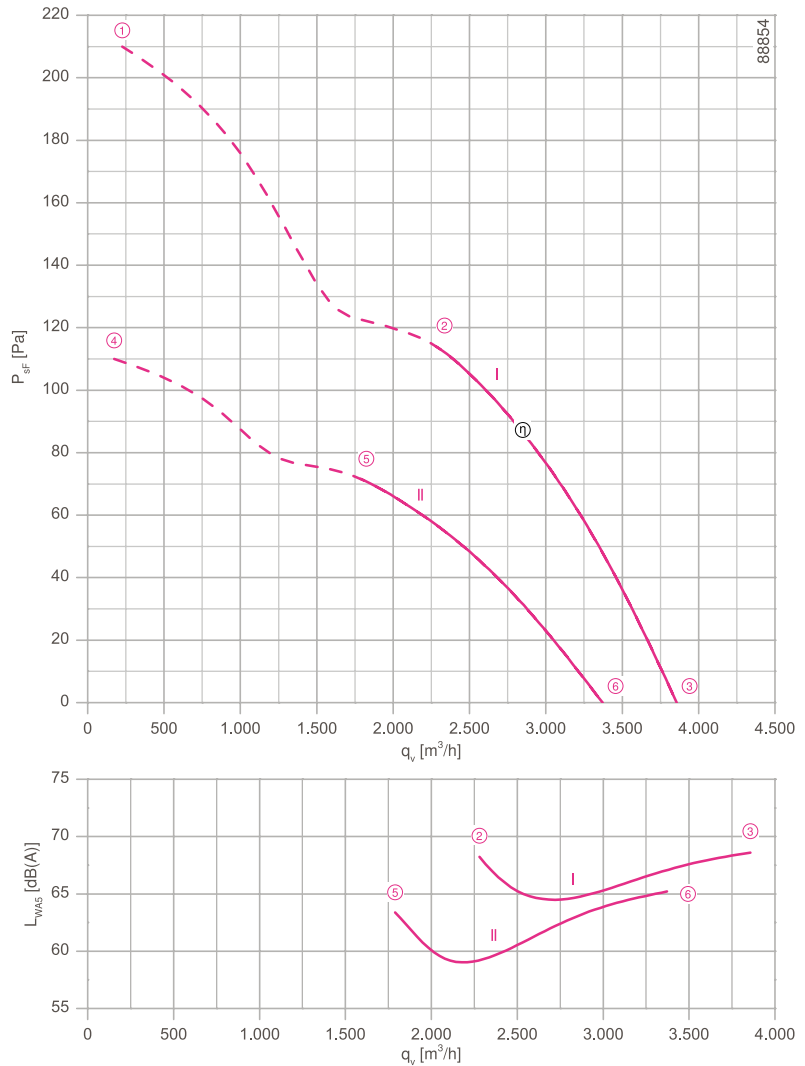
FNO40-VD



Description

Motor technology: AC
 Rated voltage U_N : 3- 400 V (Δ/Y) ± 10 %*
 Rated frequency f_N : 50 Hz* (60Hz data available)
 Motor input power P_1 : 0.23/0.17 kW*
 Rated current I_N : 0.46/0.27 A*
 Rated speed n_N : 1360/1080 min⁻¹*
 Starting current I_s : 1.60 A / 0.55 A
 Current increase ΔI : 0 %
 Thermal class: THCL155*
 Min. permitted conveyor temperature $t_{R(min)}$: -40 °C
 Max. permitted conveyor temperature $t_{R(max)}$: 70 °C
 Electrical connection: Terminal box
 Number of blades: 7
 Protection class: IP54
 Motor protection: Thermal contact
 Blades: High Performance Composite Material, uncoated, black
 Rotor: Aluminium, 1 coat paint, black
 Conformity: ErP 2015, CE
ErP Data
 Efficiency η_{statA} : 32.4 %
 Efficiency: $N_{actual} = 42.7 / N_{target} = 40$ **
 * Rated data
 **ErP 2015

Characteristic curve



Measured in full bell mouth without guard grille in installation type A according to ISO 5801.

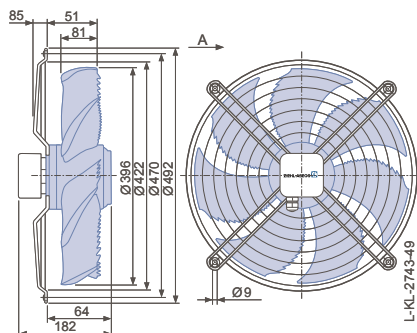
➤ Connection diagrams Page 608
 for airflow direction V 1360-108XA
 for airflow direction A 1360-108XB

➤ System components Page 524

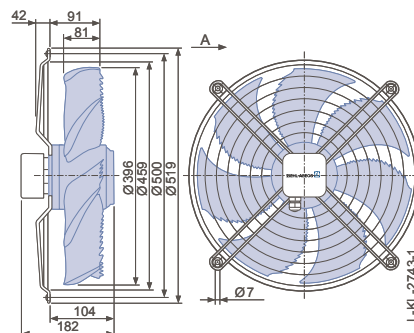
Dimensions [mm]

Airflow direction A

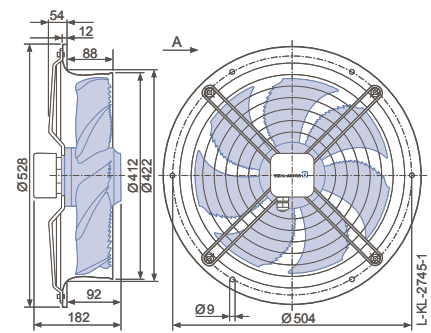
Design W - axial bolted, mounting for short bell mouth E



Design D - axial bolted, suspension for full bell mouth Q and L



Design L - round, full bell mouth









Performance data





Type	Connection	Characteristic curve	Voltage	Operating point	Current	Motor input power	Speed	Suction side sound power level L_{WA5} [dB]
			U [V]		I [A]	P_1 [W]	n [min ⁻¹]	
FN040-VD_OF_7P1	Δ	I	400	①	0.54	300	1310	
			400*	②	0.46*	230*	1360*	69
			400	③	0.40	170	1410	69
	Y	II	400	④	0.31	200	950	
			400*	⑤	0.27*	170*	1080*	64
			400	⑥	0.21	130	1230	65

*rated data

Fan ordering information

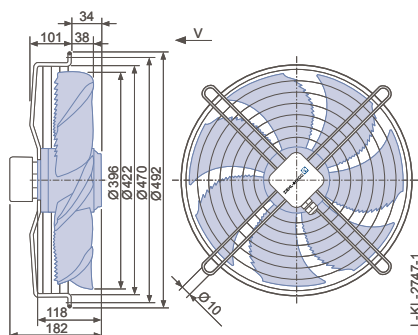
Airflow direction A		Airflow direction V				
Design	W	D	L	K	H	I
						
Type	FN040-VDW.OF.A7P1	FN040-VDD.OF.A7P1	FN040-VDL.OF.A7P1	FN040-VDK.OF.V7P1	FN040-VDH.OF.V7P1	FN040-VDI.OF.V7P1
Article no.	156642	152902	152903	152907	152906	152905
Weight [kg]	5.60	5.10	7.80	5.50	7.80	5.10

Control technology

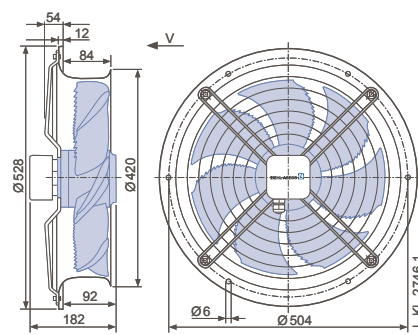
<p>Frequency inverter Fcontrol 3~</p>  <p>➤ Page 558</p>	<p>Motor protection units 3~</p>  <p>➤ Page 596</p>	<p>Transformer-based controllers 3~</p>  <p>➤ Page 591</p>	<p>Electronic voltage controllers 3~</p>  <p>➤ Page 578</p>
--	---	--	---

Airflow direction V

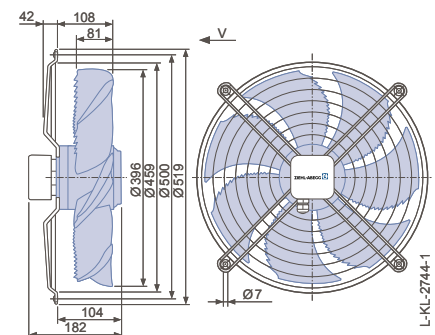
Design K - axial bolted, mounted for short bell mouth E



Design H - pipe sockets with a flange



Design I - axial bolted, mounting for bell mouth flange for pipe socket H or full bell mouth Q or L



FE2owlet

for three phase alternating current, 4-4 pole

FNO40-VD



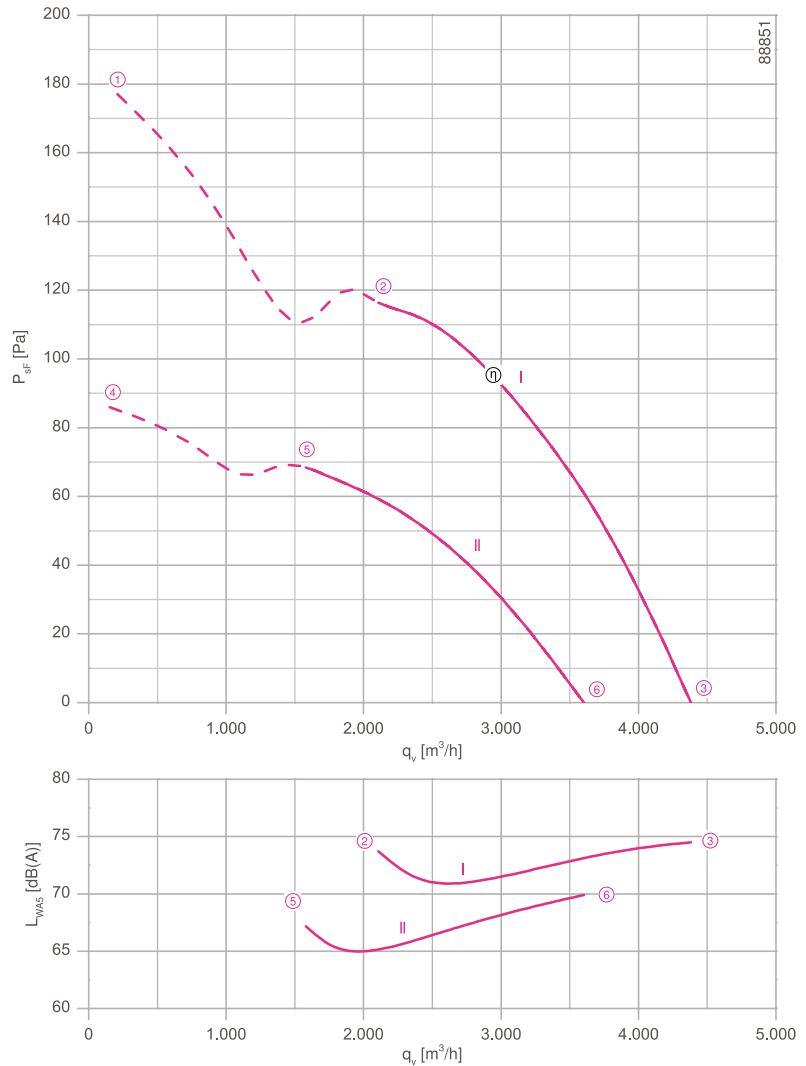
Description

Motor technology: AC
 Rated voltage U_N : 3- 400 V (Δ/Y) ± 10 %*
 Rated frequency f_N : 50 Hz* (60Hz data available)
 Motor input power P_1 : 0.26/0.18 kW*
 Rated current I_N : 0.50/0.29 A*
 Rated speed n_N : 1340/1020 min⁻¹*
 Starting current I_s : 1.60 A / 0.55 A
 Current increase ΔI : 0 %
 Thermal class: THCL155*
 Min. permitted conveyor temperature $t_{R(min)}$: -40 °C
 Max. permitted conveyor temperature $t_{R(max)}$: 70 °C
 Electrical connection: Terminal box
 Number of blades: 7
 Protection class: IP54
 Motor protection: Thermal contact
 Blades: High Performance Composite Material, uncoated, black
 Rotor: Aluminium, 1 coat paint, black
 Conformity: ErP 2015, CE
ErP Data
 Efficiency η_{statA} : 31.9 %
 Efficiency: $N_{actual} = 42.0 / N_{target} = 40$ **
 * Rated data
 **ErP 2015

➤ Connection diagrams Page 608
 for airflow direction V 1360-108XA
 for airflow direction A 1360-108XB

➤ System components Page 524

Characteristic curve

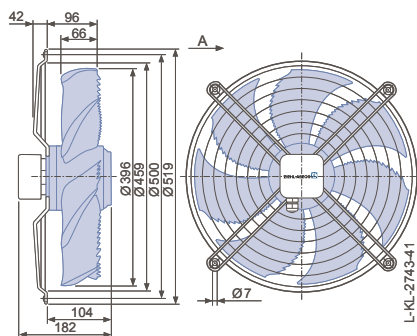


Measured in full bell mouth without guard grille in installation type A according to ISO 5801.

Dimensions [mm]

Airflow direction A

Design D - axial bolted, suspension for full bell mouth Q and L





Performance data




Type	Connection	Characteristic curve	Voltage	Operating point	Current	Motor input power	Speed	Suction side sound power level L_{WA5} [dB]
			U [V]					
FN040-VD_0F_7P2	Δ	I	400	①	0.56	330	1290	
			400*	②	0.50*	260*	1340*	74
			400	③	0.44	200	1390	75
	Y	II	400	④	0.32	200	900	
			400*	⑤	0.29*	180*	1020*	67
			400	⑥	0.24	150	1150	70

*rated data

Fan ordering information

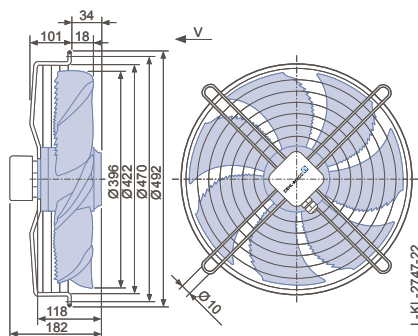
Airflow direction A		Airflow direction V	
Design	D		K
			
Type	FN040-VDD.0F.A7P2		FN040-VDK.0F.V7P2
Article no.	156239		156244
Weight [kg]	5.10		5.70

Control technology

Frequency inverter Fcontrol 3~  Page 558	Motor protection units 3~  Page 596	Transformer-based controllers 3~  Page 591	Electronic voltage controllers 3~  Page 578
---	--	---	--

Airflow direction V

Design K - axial bolted, mounted for short bell mouth E



FE2owlet

for single phase alternating current, 4 pole

FNO42-4E



Description

Motor technology: AC
 Rated voltage U_N : 1~ 230 V±10 %*
 Rated frequency f_N : 50 Hz* (60Hz data available)
 Motor input power P_1 : 0.32 kW*
 Rated current I_N : 1.45 A*
 Rated speed n_N : 1340 min⁻¹*
 Current increase ΔI : 15 %
 Service capacitor C_{400V} : 6.0 µF
 Thermal class: THCL155*
 Min. permitted conveyor temperature $t_{R(min)}$: -25 °C
 Max. permitted conveyor temperature $t_{R(max)}$: 55 °C
 Electrical connection: Terminal box
 Number of blades: 7
 Protection class: IP44
 Motor protection: Thermal contact
 Blades: High Performance Composite Material, uncoated, black
 Rotor: Aluminium, 1 coat paint, black
 Conformity: ErP 2013, CE

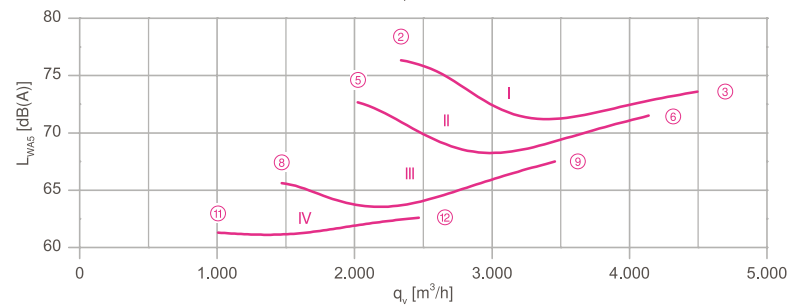
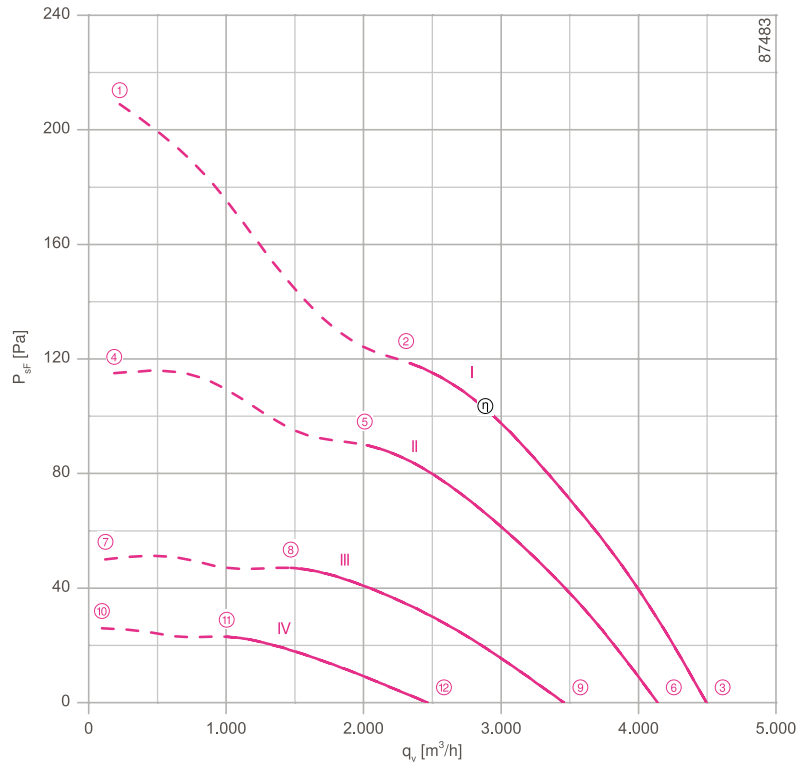
ErP Data

Efficiency η_{statA} : 26.7 %
 Efficiency: $N_{actual} = 36.6 / N_{target} = 36$ **
 * Rated data
 **ErP 2013

➤ Connection diagrams Page 608
 for airflow direction V 1360-104XA
 for airflow direction A 1360-104XB

➤ System components Page 524

Characteristic curve

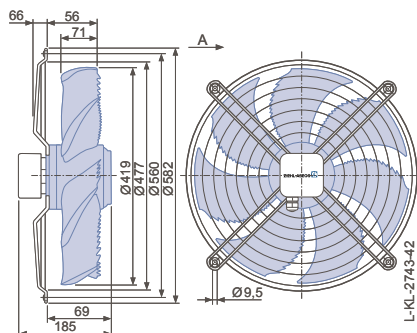


Measured in full bell mouth without guard grille in installation type A according to ISO 5801.

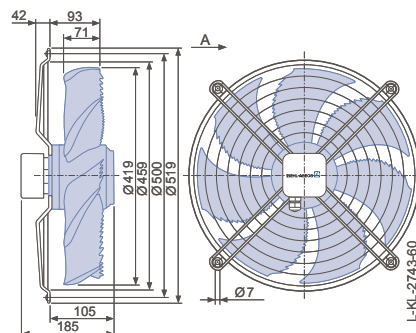
Dimensions [mm]

Airflow direction A

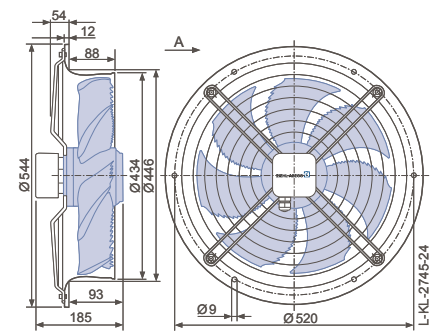
Design W - axial bolted, mounting for short bell mouth E



Design D - axial bolted, suspension for full bell mouth Q and L



Design L - round, full bell mouth



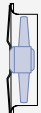
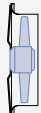



Performance data

Type	Characteristic curve	Voltage	Operating point	Current	Motor input power	Speed	Suction side sound power level L_{WAS} [dB]
		U [V]		I [A]	P_1 [W]	n [min ⁻¹]	
FN042-4E_2F_7P1	I	230	①	1.80	400	1270	
		230*	②	1.45*	320*	1340*	76
		230	③	1.25	260	1390	74
	II	170	④	2.00	330	940	
		170	⑤	1.60	270	1160	73
		170	⑥	1.25	210	1280	72
	III	135	⑦	1.85	240	620	
		135	⑧	1.70	220	840	66
		135	⑨	1.45	190	1080	68
	IV	110	⑩	1.55	160	450	
		110	⑪	1.50	160	590	61
		110	⑫	1.45	150	770	63

*rated data

Fan ordering information

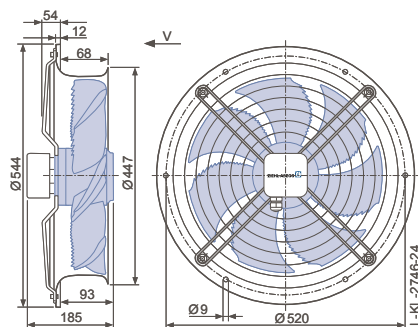
Airflow direction A		Airflow direction V			
Design	W	D	L	H	I
					
Type	FN042-4EW.2F.A7P1	FN042-4ED.2F.A7P1	FN042-4EL.2F.A7P1	FN042-4EH.2F.V7P1	FN042-4EI.2F.V7P1
Article no.	155766	155764	155765	155769	155768
Weight [kg]	6.20	5.90	8.50	8.20	5.90

Control technology

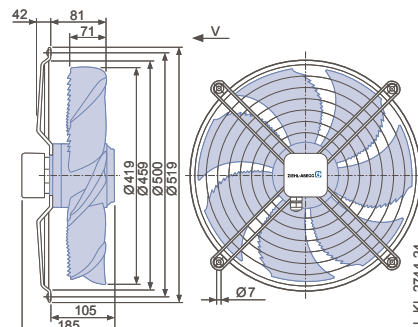
<p>Frequency inverter Fcontrol 1~</p>  <p>➤ Page 552</p>	<p>Motor protection units 1~</p>  <p>➤ Page 596</p>	<p>Transformer-based controllers 1~</p>  <p>➤ Page 587</p>	<p>Electronic voltage controllers 1~</p>  <p>➤ Page 562</p>
---	--	---	---

Airflow direction V

Design H - pipe sockets with a flange



Design I - axial bolted, mounting for bell mouth flange for pipe socket H or full bell mouth Q or L



FE2owlet

for single phase alternating current, 6 pole

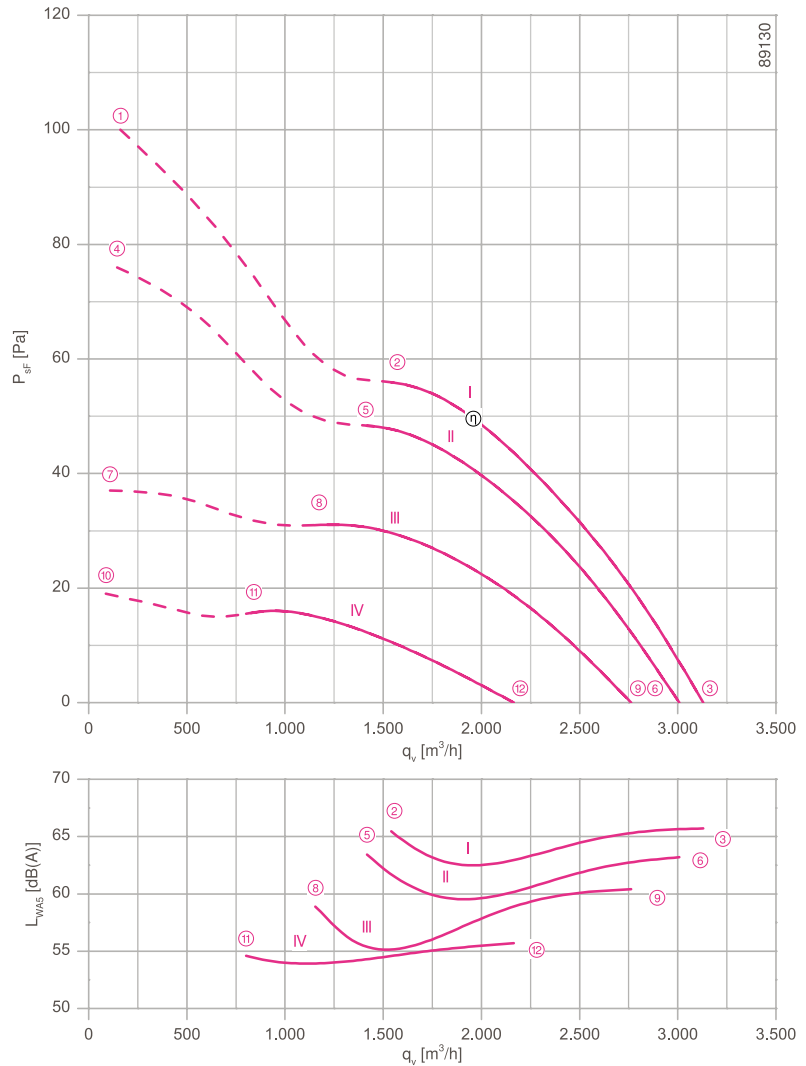
FNO42-6E



Description

Motor technology: AC
 Rated voltage U_N : 1~ 230 V \pm 10 %*
 Rated frequency f_N : 50 Hz* (60Hz data available)
 Motor input power P_1 : 0.14 kW*
 Rated current I_N : 0.62 A*
 Rated speed n_N : 940 min⁻¹*
 Current increase ΔI : 0 %
 Service capacitor C_{400V} : 5.0 μ F
 Thermal class: THCL155*
 Min. permitted conveyor temperature $t_{R(min)}$: -25 °C
 Max. permitted conveyor temperature $t_{R(max)}$: 70 °C
 Electrical connection: Terminal box
 Number of blades: 7
 Protection class: IP54
 Motor protection: Thermal contact
 Blades: High Performance Composite Material, uncoated, black
 Rotor: Aluminium, 1 coat paint, black
 Conformity: CE
ErP Data
 Is not subject to the ErP Guidelines ($P_1 < 125$ W)
 * Rated data

Characteristic curve



Measured in full bell mouth without guard grille in installation type A according to ISO 5801.

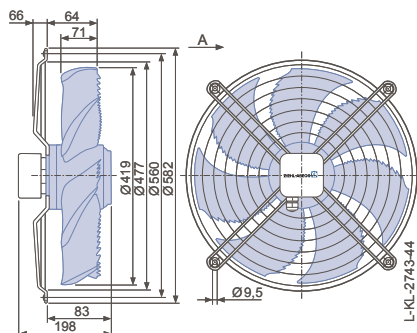
➤ Connection diagrams Page 608
 for airflow direction V 1360-104XA
 for airflow direction A 1360-104XB

➤ System components Page 524

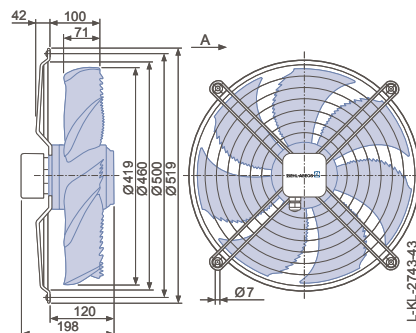
Dimensions [mm]

Airflow direction A

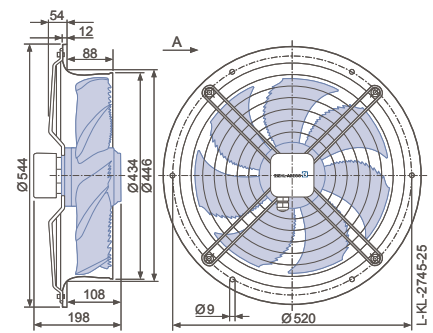
Design W - axial bolted, mounting for short bell mouth E



Design D - axial bolted, suspension for full bell mouth Q and L



Design L - round, full bell mouth



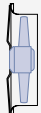
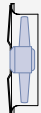



Performance data

Type	Characteristic curve	Voltage	Operating point	Current	Motor input power	Speed	Suction side sound power level
		U [V]		I [A]	P ₁ [W]	n [min ⁻¹]	
FN042-6E_0F_7P1	I	230	①	0.68	150	910	
		230*	②	0.62*	140*	940*	66
		230	③	0.56	130	950	66
	II	170	④	0.66	110	800	
		170	⑤	0.56	95	870	63
		170	⑥	0.48	80	920	63
	III	135	⑦	0.62	85	560	
		135	⑧	0.58	75	700	59
		135	⑨	0.48	65	850	60
	IV	110	⑩	0.54	55	400	
		110	⑪	0.52	55	490	55
		110	⑫	0.48	55	670	56

*rated data

Fan ordering information

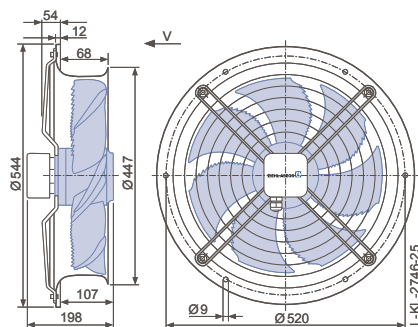
Airflow direction A		Airflow direction V			
Design	W	D	L	H	I
					
Type	FN042-6EW.0F.A7P1	FN042-6ED.0F.A7P1	FN042-6EL.0F.A7P1	FN042-6EH.0F.V7P1	FN042-6EI.0F.V7P1
Article no.	155780	155778	155779	155783	155782
Weight [kg]	5.70	5.30	8.00	7.70	5.30

Control technology

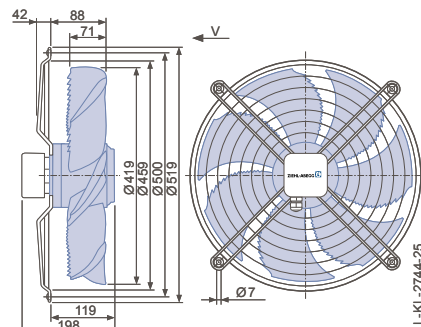
<p>Frequency inverter Fcontrol 1~</p>  <p>➤ Page 552</p>	<p>Motor protection units 1~</p>  <p>➤ Page 596</p>	<p>Transformer-based controllers 1~</p>  <p>➤ Page 587</p>	<p>Electronic voltage controllers 1~</p>  <p>➤ Page 562</p>
---	--	---	---

Airflow direction V

Design H - pipe sockets with a flange



Design I - axial bolted, mounting for bell mouth flange for pipe socket H or full bell mouth Q or L



FE2owlet

for three phase alternating current, 4-4 pole

FNO42-VD



Description

Motor technology: AC
 Rated voltage U_N : 3- 400 V (Δ/Y) ± 10 %*
 Rated frequency f_N : 50 Hz* (60Hz data available)
 Motor input power P_1 : 0.28/0.19 kW*
 Rated current I_N : 0.58/0.31 A*
 Rated speed n_N : 1340/1080 min⁻¹*
 Starting current I_s : 1.90 A / 0.65 A
 Current increase ΔI : 0 %
 Thermal class: THCL155*
 Min. permitted conveyor temperature $t_{R(min)}$: -40 °C
 Max. permitted conveyor temperature $t_{R(max)}$: 70 °C
 Electrical connection: Terminal box
 Number of blades: 7
 Protection class: IP44
 Motor protection: Thermal contact
 Blades: High Performance Composite Material, uncoated, black
 Rotor: Aluminium, 1 coat paint, black
 Conformity: ErP 2015, CE

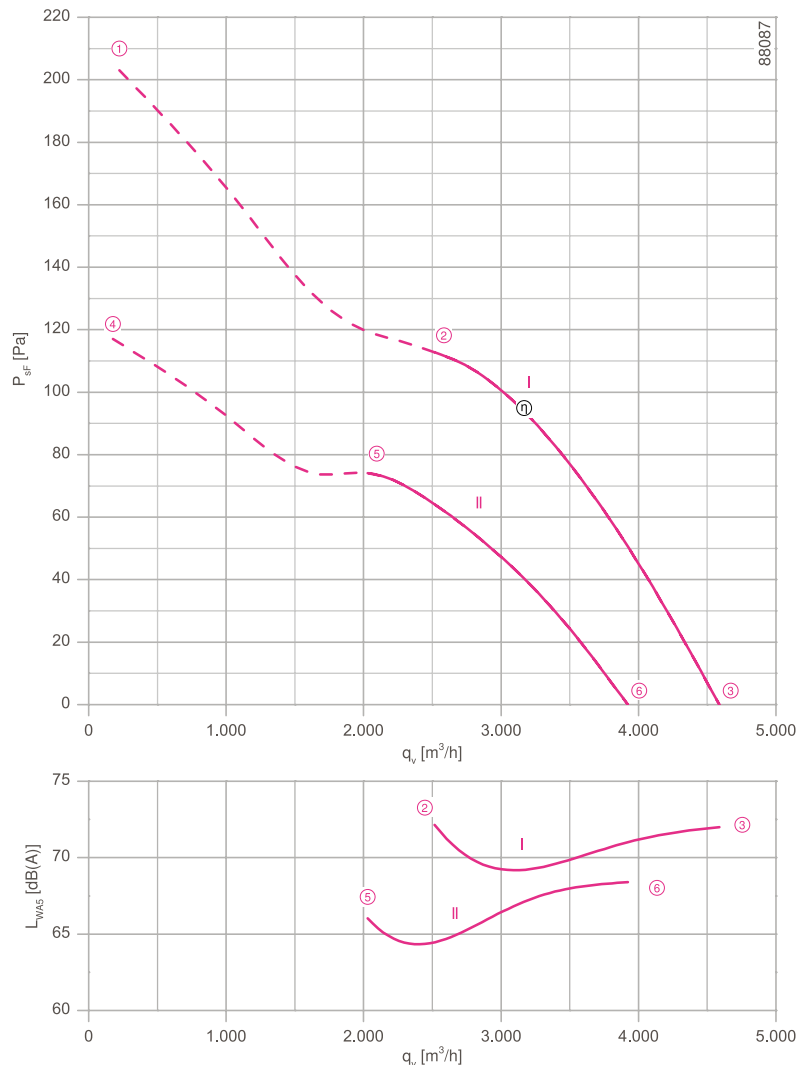
ErP Data

Efficiency η_{statA} : 31.3 %
 Efficiency: $N_{actual} = 41.2 / N_{target} = 40$ **
 * Rated data
 **ErP 2015

➤ Connection diagrams Page 608
 for airflow direction V 1360-108XA
 for airflow direction A 1360-108XB

➤ System components Page 524

Characteristic curve

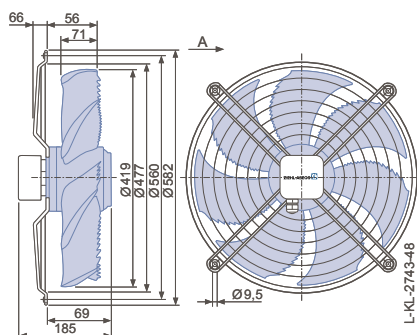


Measured in full bell mouth without guard grille in installation type A according to ISO 5801.

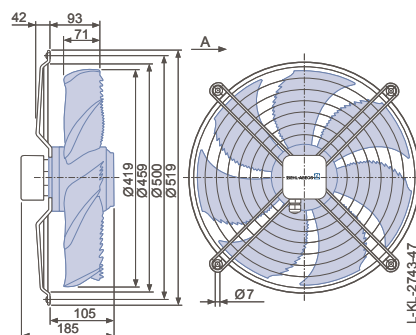
Dimensions [mm]

Airflow direction A

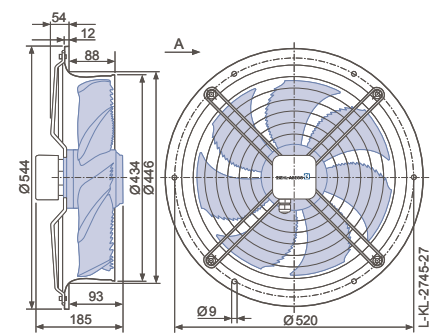
Design W - axial bolted, mounting for short bell mouth E



Design D - axial bolted, suspension for full bell mouth Q and L



Design L - round, full bell mouth








Performance data





Type	Connection	Characteristic curve	Voltage	Operating point	Current	Motor input power	Speed	Suction side sound power level L_{WA5} [dB]
			U [V]					
FN042-VD_2F_7P1	Δ	I	400	①	0.64	350	1290	
			400*	②	0.58*	280*	1340*	72
			400	③	0.52	220	1380	72
	Y	II	400	④	0.36	220	980	
			400*	⑤	0.31*	190*	1080*	66
			400	⑥	0.26	160	1190	68

*rated data

Fan ordering information

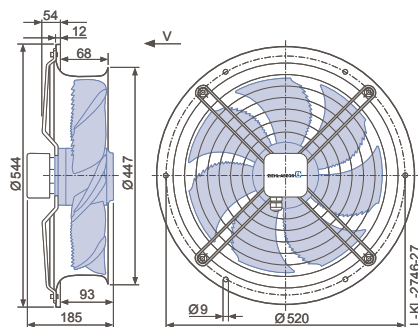
Airflow direction A		Airflow direction V				
Design	W	D	L	H	I	
						
Type	FN042-VDW.2F.A7P1	FN042-VDD.2F.A7P1	FN042-VDL.2F.A7P1	FN042-VDH.2F.V7P1	FN042-VDI.2F.V7P1	
Article no.	155773	155771	155772	155776	155775	
Weight [kg]	6.20	5.90	8.50	8.20	5.90	

Control technology

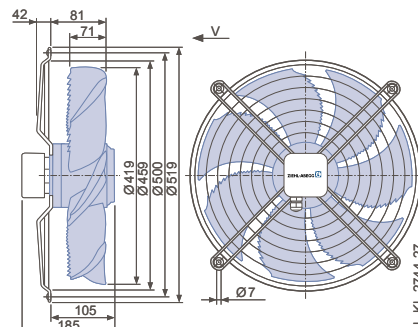
<p>Frequency inverter Fcontrol 3~</p>  <p>➤ Page 558</p>	<p>Motor protection units 3~</p>  <p>➤ Page 596</p>	<p>Transformer-based controllers 3~</p>  <p>➤ Page 591</p>	<p>Electronic voltage controllers 3~</p>  <p>➤ Page 578</p>
--	---	--	---

Airflow direction V

Design H - pipe sockets with a flange



Design I - axial bolted, mounting for bell mouth flange for pipe socket H or full bell mouth Q or L



FE2owlet

for three phase alternating current, 6-6 pole

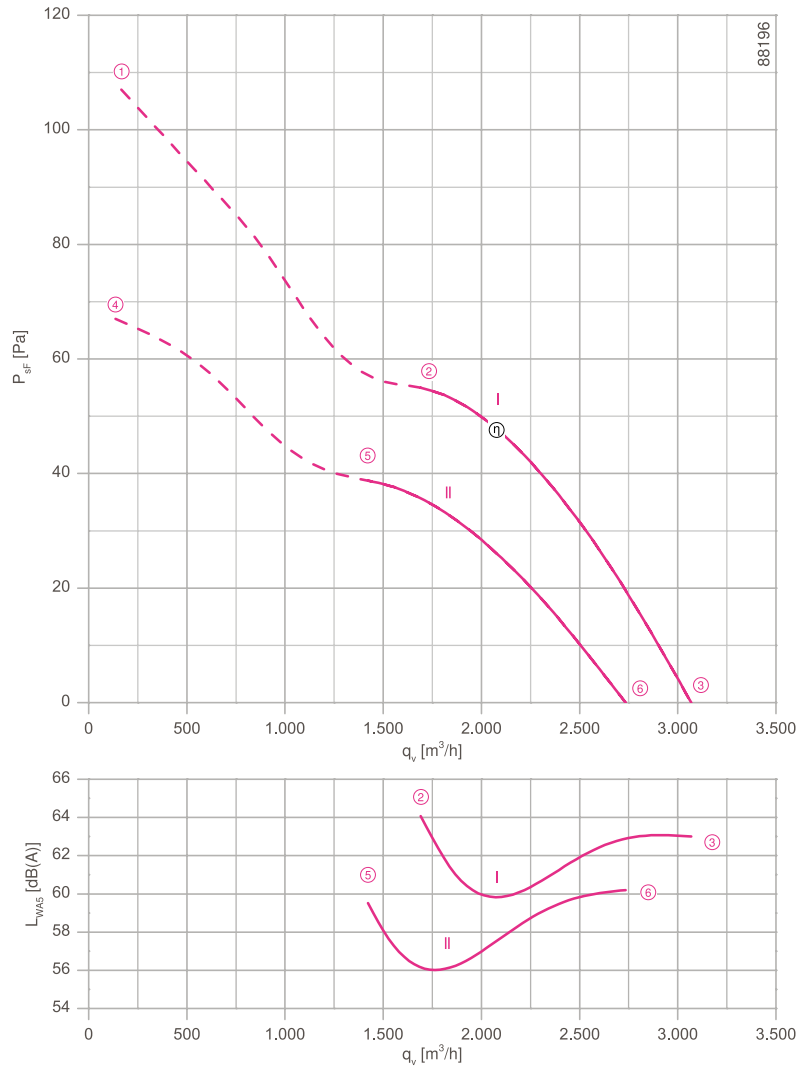
FNO42-SD



Description

Motor technology: AC
 Rated voltage U_N : 3- 400 V (Δ/Y) ± 10 %*
 Rated frequency f_N : 50 Hz* (60Hz data available)
 Motor input power P_1 : 0.13/0.08 kW*
 Rated current I_N : 0.35/0.15 A*
 Rated speed n_N : 920/ 780 min⁻¹*
 Starting current I_s : 0.85 A / 0.26 A
 Current increase ΔI : 0 %
 Thermal class: THCL155*
 Min. permitted conveyor temperature $t_{R(min)}$: -40 °C
 Max. permitted conveyor temperature $t_{R(max)}$: 70 °C
 Electrical connection: Terminal box
 Number of blades: 7
 Protection class: IP44
 Motor protection: Thermal contact
 Blades: High Performance Composite Material, uncoated, black
 Rotor: Aluminium, 1 coat paint, black
 Conformity: CE
ErP Data
 Is not subject to the ErP Guidelines ($P_1 < 125$ W)
 * Rated data

Characteristic curve



Measured in full bell mouth without guard grille in installation type A according to ISO 5801.

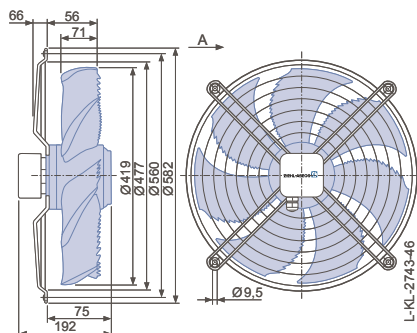
➤ Connection diagrams Page 608
 for airflow direction V 1360-108XA
 for airflow direction A 1360-108XB

➤ System components Page 524

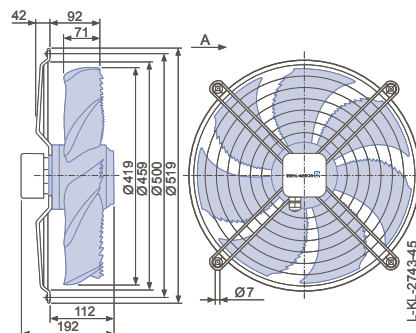
Dimensions [mm]

Airflow direction A

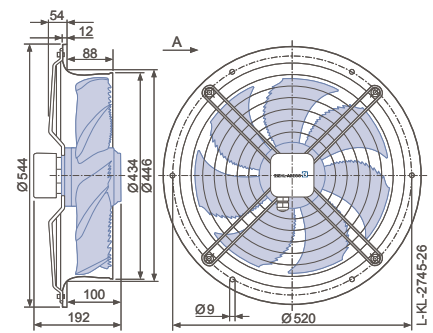
Design W - axial bolted, mounting for short bell mouth E



Design D - axial bolted, suspension for full bell mouth Q and L



Design L - round, full bell mouth








Performance data




Type	Connection	Characteristic curve	Voltage	Operating point	Current	Motor input power	Speed	Suction side sound power level L_{WA5} [dB]
			U [V]					
FN042-SD_2C_7P1	Δ	I	400	①	0.37	150	890	
			400*	②	0.35*	130*	920*	64
			400	③	0.35	100	940	63
	Y	II	400	④	0.17	90	700	
			400*	⑤	0.15*	75*	780*	60
			400	⑥	0.13	60	850	60

*rated data

Fan ordering information

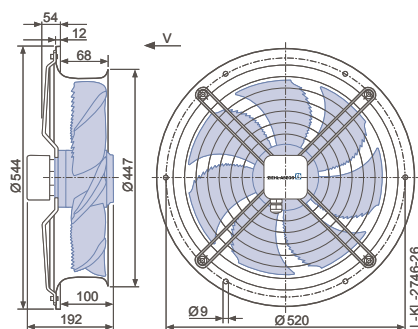
Airflow direction A		Airflow direction V				
Design	W	D	L	H	I	
						
Type	FN042-SDW.2C.A7P1	FN042-SDD.2C.A7P1	FN042-SDL.2C.A7P1	FN042-SDH.2C.V7P1	FN042-SDI.2C.V7P1	
Article no.	155787	155785	155786	155790	155789	
Weight [kg]	5.50	5.10	7.80	7.50	5.10	

Control technology

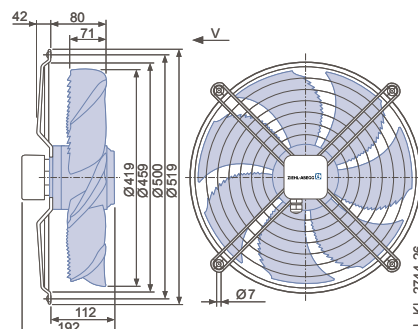
<p>Frequency inverter Fcontrol 3~</p>  <p>➤ Page 558</p>	<p>Motor protection units 3~</p>  <p>➤ Page 596</p>	<p>Transformer-based controllers 3~</p>  <p>➤ Page 591</p>	<p>Electronic voltage controllers 3~</p>  <p>➤ Page 578</p>
--	---	--	---

Airflow direction V

Design H - pipe sockets with a flange



Design I - axial bolted, mounting for bell mouth flange for pipe socket H or full bell mouth Q or L



Performance data

Type	Characteristic curve	Voltage	Operating point	Current	Motor input power	Speed	Suction side sound power level
		U [V]		I [A]	P ₁ [W]	n [min ⁻¹]	
FN045-4E_.4I_.7P1	I	230	①	2.90	660	1260	
		230*	②	2.50*	560*	1320*	73
		230	③	2.20	480	1360	74
	II	170	④	3.00	500	1040	
		170	⑤	2.60	440	1170	70
		170	⑥	2.30	380	1250	72
	III	135	⑦	2.90	360	800	
		135	⑧	2.60	340	960	65
		135	⑨	2.40	310	1090	69
	IV	110	⑩	2.50	250	600	
		110	⑪	2.40	240	720	58
		110	⑫	2.20	230	850	64

*rated data

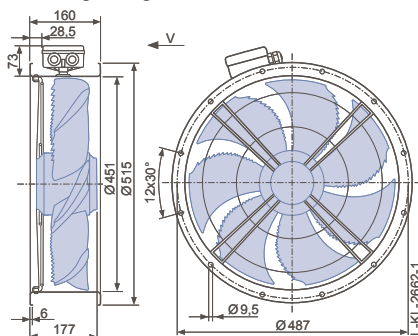
Fan ordering information

Design	Airflow direction A			Airflow direction V		
	W	Q	K	F (without contact protection)	F (with contact protection)	Q
Type	FN045-4EW.4I.A7P1	FN045-4EQ.4I.A7P1	FN045-4EK.4I.V7P1	FN045-4EF.4I.V7P1	FN045-4EF.4I.V7P1	FN045-4EQ.4I.V7P1
Article no.	155525	140107	140111	140119	140539	140115
Weight [kg]	12.60	16.20	12.60	15.70	16.10	16.00

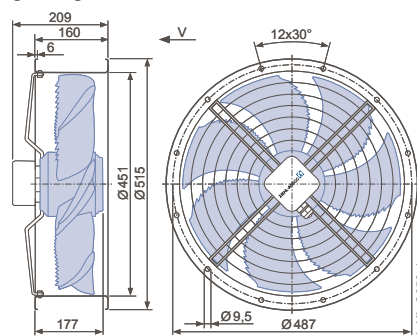
Control technology

<p>Frequency inverter Fcontrol 1~</p> <p>▶ Page 552</p>	<p>Motor protection units 1~</p> <p>▶ Page 596</p>	<p>Transformer-based controllers 1~</p> <p>▶ Page 587</p>	<p>Electronic voltage controllers 1~</p> <p>▶ Page 562</p>
---	--	---	--

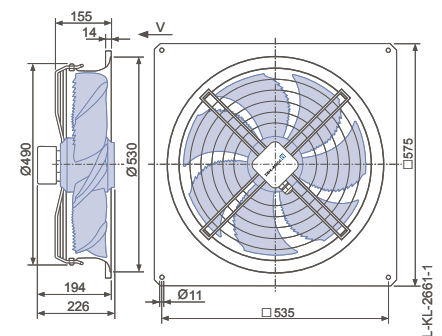
Design F - flange ring with two flanges without guard grille



Design F - flange ring with two flanges and guard grille



Design Q - square, full bell mouth



FE2owlet

for single phase alternating current, 4 pole

FNO45-4E



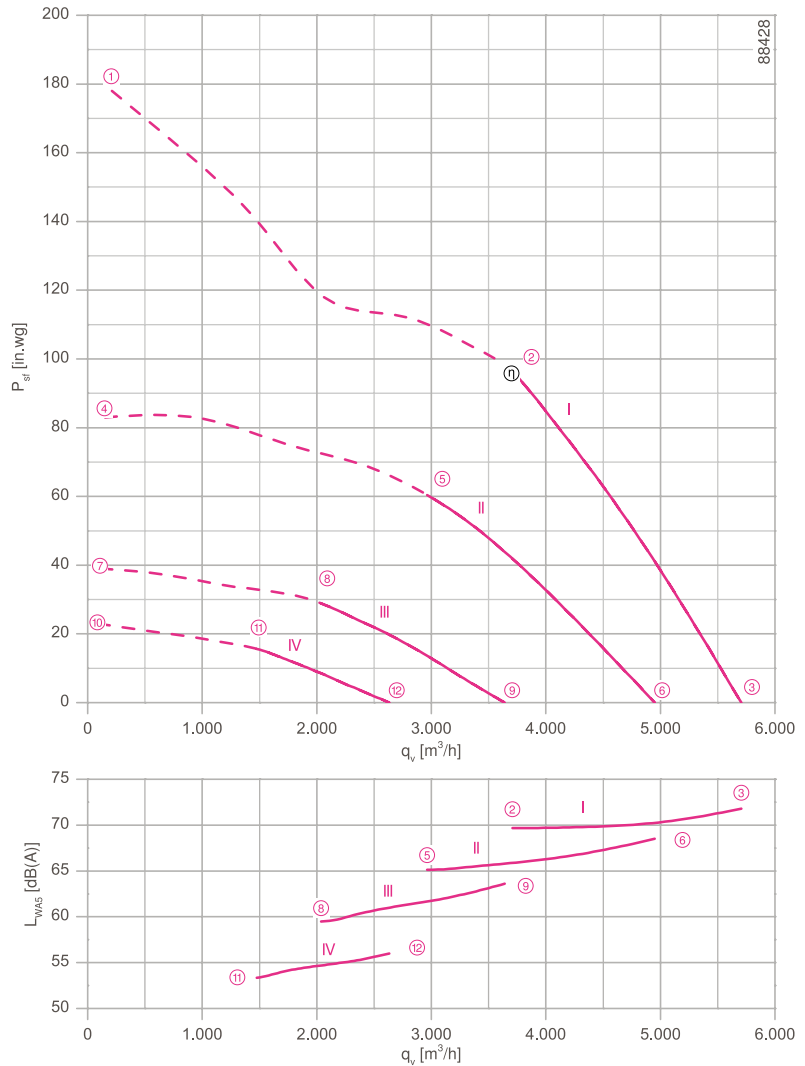
Description

Motor technology: AC
 Rated voltage U_N : 1~ 230 V \pm 10 %*
 Rated frequency f_N : 50 Hz*
 Motor input power P_1 : 0.39 kW*
 Rated current I_N : 1.75 A*
 Rated speed n_N : 1290 min⁻¹*
 Starting current I_s : 3.60 A
 Current increase ΔI : 10 %
 Service capacitor C_{400V} : 7.0 μ F
 Thermal class: **THCL155***
 Min. permitted conveyor temperature $t_{R(min)}$: -25 °C
 Max. permitted conveyor temperature $t_{R(max)}$: 55 °C
 Electrical connection: Terminal box
 Number of blades: 7
 Protection class: IP44
 Motor protection: Thermal contact
 Blades: High Performance Composite Material, uncoated, black
 Rotor: Aluminium, 1 coat paint, black
 Conformity: ErP 2013, CE
ErP Data
 Efficiency η_{statA} : 27.3 %
 Efficiency: $N_{actual} = 36.2 / N_{target} = 36^{**}$
 * Rated data
 **ErP 2013

➤ Connection diagrams Page 608
 for airflow direction V 1360-104XA
 for airflow direction A 1360-104XB

➤ System components Page 524

Characteristic curve

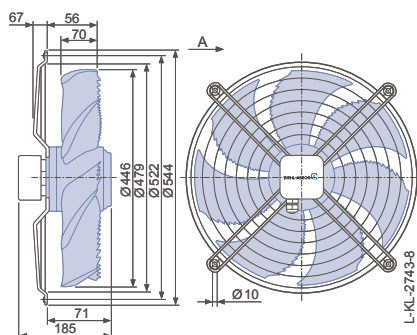


Measured in full bell mouth without guard grille in installation type A according to ISO 5801.

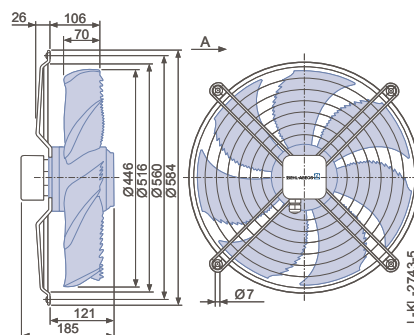
Dimensions [mm]

Airflow direction A

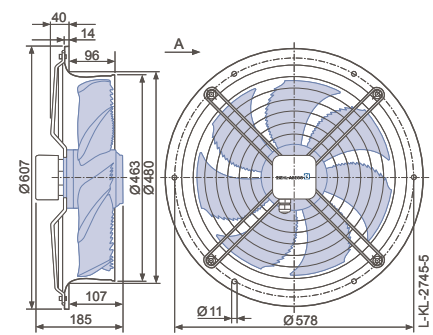
Design W - axial bolted, mounting for short bell mouth E



Design D - axial bolted, suspension for full bell mouth Q and L



Design L - round, full bell mouth



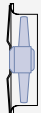

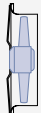



Performance data

Type	Characteristic curve	Voltage	Operating point	Current	Motor input power	Speed	Suction side sound power level
		U [V]		I [A]	P ₁ [W]	n [min ⁻¹]	
FN045-4E_2F_7P2	I	230	①	2.10	480	1180	
		230*	②	1.75*	390*	1290*	70
		230	③	1.50	330	1340	72
	II	170	④	2.20	360	810	
		170	⑤	1.90	320	1030	65
		170	⑥	1.60	270	1170	69
	III	135	⑦	1.85	240	560	
		135	⑧	1.75	230	710	60
		135	⑨	1.65	220	870	64
	IV	110	⑩	1.55	160	430	
		110	⑪	1.55	160	530	53
		110	⑫	1.50	160	630	56

*rated data

Fan ordering information

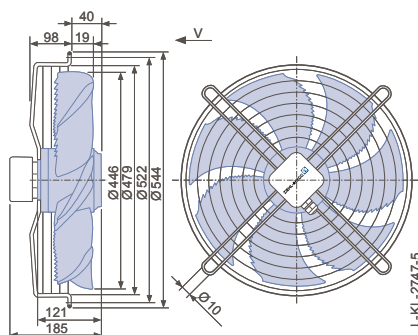
Airflow direction A				Airflow direction V			
Design	W	D	L	K	H	I	
							
Type	FN045-4EW.2F.A7P2	FN045-4ED.2F.A7P2	FN045-4EL.2F.A7P2	FN045-4EK.2F.V7P2	FN045-4EH.2F.V7P2	FN045-4EI.2F.V7P2	
Article no.	141711	141709	141710	141715	141714	141713	
Weight [kg]	6.30	6.10	9.50	6.60	9.50	6.10	

Control technology

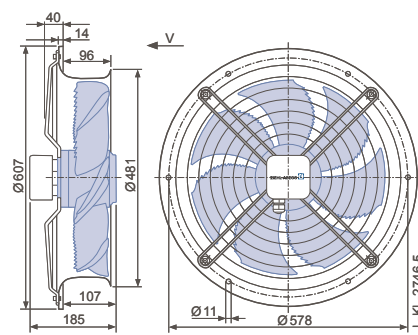
<p>Frequency inverter Fcontrol 1~</p>  <p>➤ Page 552</p>	<p>Motor protection units 1~</p>  <p>➤ Page 596</p>	<p>Transformer-based controllers 1~</p>  <p>➤ Page 587</p>	<p>Electronic voltage controllers 1~</p>  <p>➤ Page 562</p>
---	--	---	--

Airflow direction V

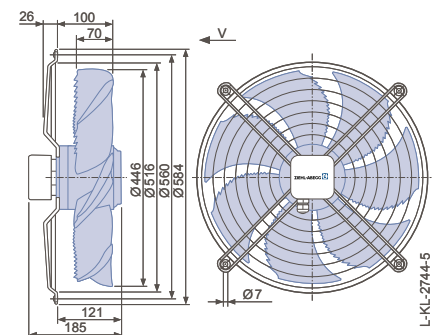
Design K - axial bolted, mounted for short bell mouth E



Design H - pipe sockets with a flange



Design I - axial bolted, mounting for bell mouth flange for pipe socket H or full bell mouth Q or L



FE2owlet

for single phase alternating current, 6 pole

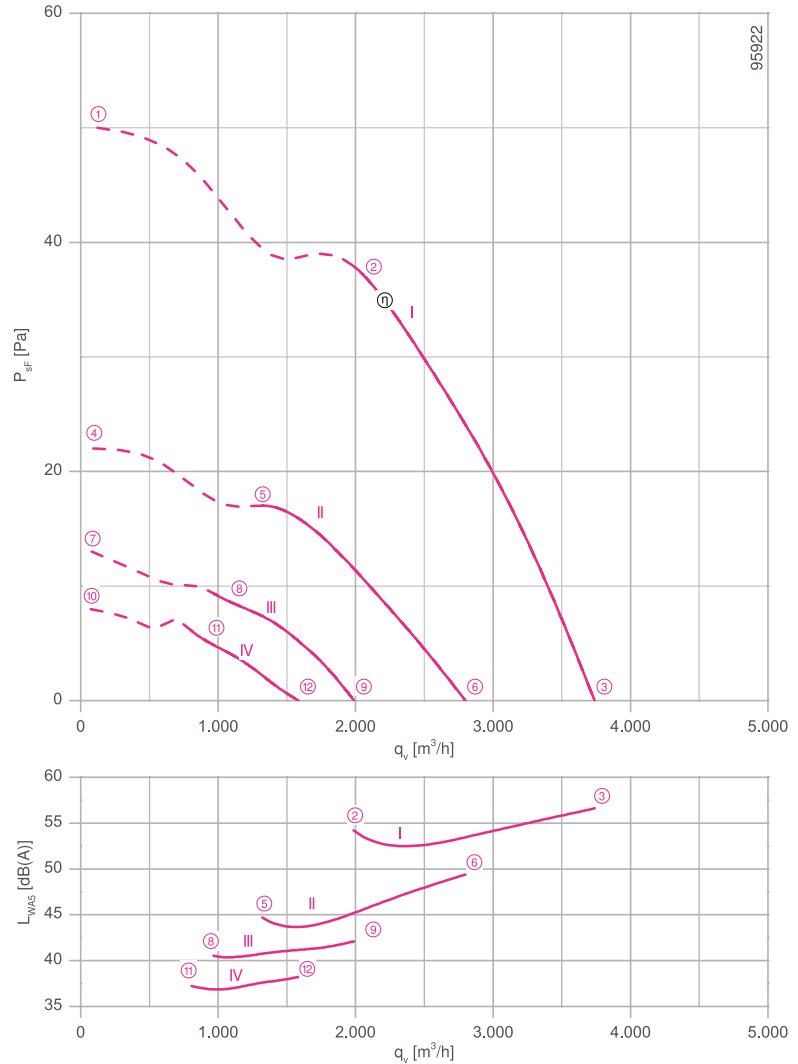
FNO45-6E



Description

Motor technology: AC
 Rated voltage U_N : 1~ 230 V±10 %*
 Rated frequency f_N : 50 Hz* (60Hz data available)
 Motor input power P_1 : 0.12 kW*
 Rated current I_N : 0.50 A*
 Rated speed n_N : 700 min⁻¹*
 Current increase ΔI : 0 %
 Service capacitor C_{400V} : 3.0 µF
 Thermal class: THCL155*
 Min. permitted conveyor temperature $t_{R(min)}$: -25 °C
 Max. permitted conveyor temperature $t_{R(max)}$: 70 °C
 Electrical connection: Terminal box
 Number of blades: 7
 Protection class: IP44
 Motor protection: Thermal contact
 Blades: High Performance Composite Material, uncoated, black
 Rotor: Aluminium, 1 coat paint, black
 Conformity: CE
ErP Data
 Is not subject to the ErP Guidelines ($P_1 < 125$ W)
 * Rated data

Characteristic curve



Measured in full bell mouth without guard grille in installation type A according to ISO 5801.

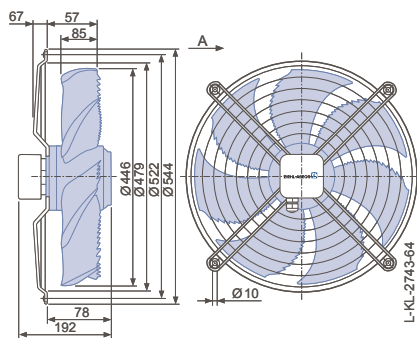
➤ Connection diagrams Page 608
 for airflow direction V 1360-104XA
 for airflow direction A 1360-104XB

➤ System components Page 524

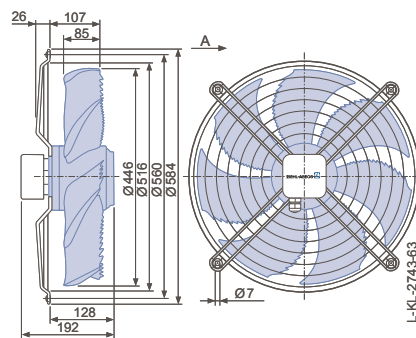
Dimensions [mm]

Airflow direction A

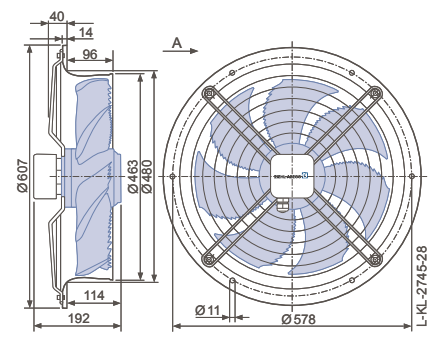
Design W - axial bolted, mounting for short bell mouth E



Design D - axial bolted, suspension for full bell mouth Q and L



Design L - round, full bell mouth



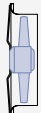





Performance data

Type	Characteristic curve	Voltage	Operating point	Current	Motor input power	Speed	Suction side sound power level
		U [V]		I [A]	P ₁ [W]	n [min ⁻¹]	
FN045-6E_2F_7P3	I	230	①	0.56	130	570	54
		230*	②	0.50*	120*	700*	
		230	③	0.46	100	790	
	II	170	④	0.44	75	380	45
		170	⑤	0.42	75	480	
		170	⑥	0.40	70	590	
	III	135	⑦	0.35	48	280	40
		135	⑧	0.35	46	350	
		135	⑨	0.34	46	430	
	IV	110	⑩	0.29	32	220	37
		110	⑪	0.29	32	270	
		110	⑫	0.29	32	330	

*rated data

Fan ordering information

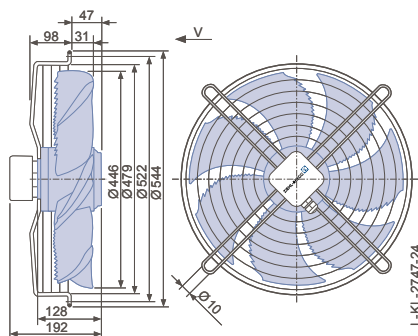
Airflow direction A		Airflow direction V				
Design	W	D	L	K	Q	S
						
Type	FN045-6EW.2F.A7P3	FN045-6ED.2F.A7P3	FN045-6EL.2F.A7P3	FN045-6EK.2F.V7P3	FN045-6EQ.2F.V7P3	FN045-6EH.2F.V7P3
Article no.	160038	160036	160037	160042	160043	160041
Weight [kg]	6.30	6.10	9.50	6.50	10.30	9.50

Control technology

<p>Frequency inverter Fcontrol 1~</p>  <p>➤ Page 552</p>	<p>Motor protection units 1~</p>  <p>➤ Page 596</p>	<p>Transformer-based controllers 1~</p>  <p>➤ Page 587</p>	<p>Electronic voltage controllers 1~</p>  <p>➤ Page 562</p>
---	--	---	---

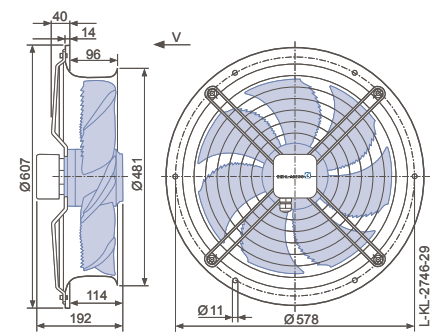
Airflow direction V

Design K - axial bolted, mounted for short bell mouth E



Design Q - square, full bell mouth

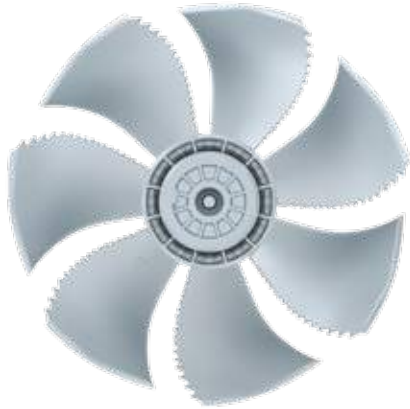
Design S - radially bolted, mounting for full bell mouth Q and L



FE2owlet

for single phase alternating current, 6 pole

FNO45-6E



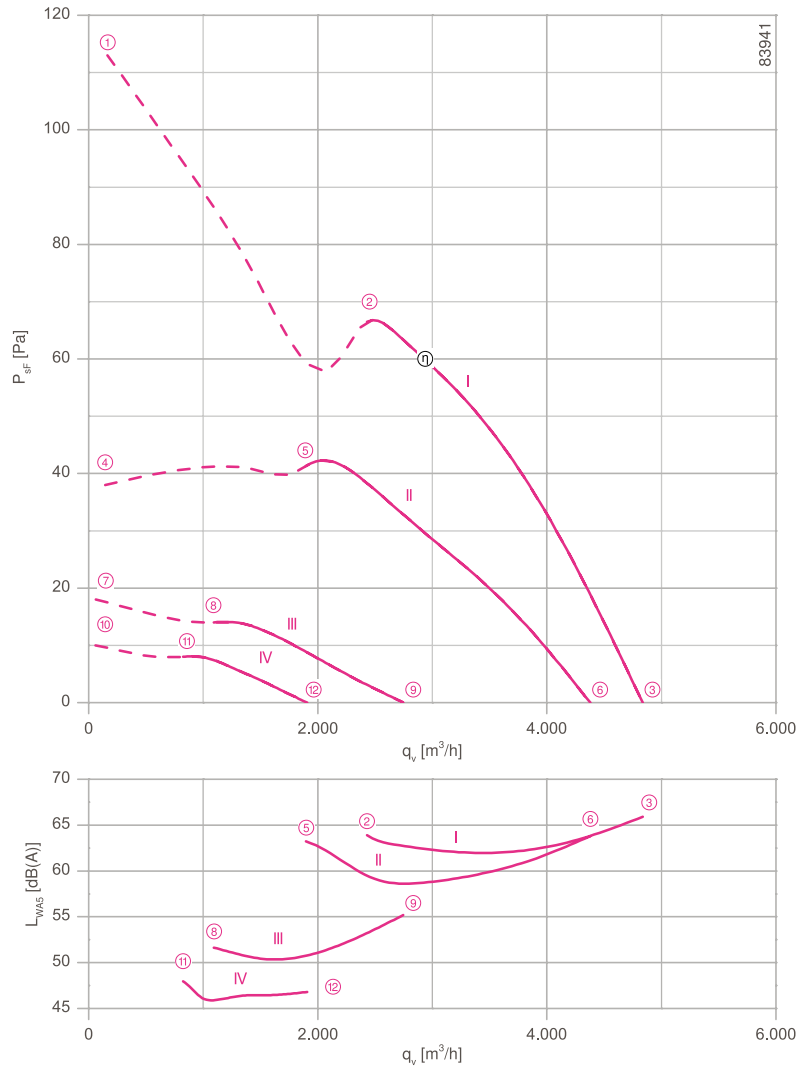
Description

Motor technology: AC
 Rated voltage U_N : 1~ 230 V \pm 10 %*
 Rated frequency f_N : 50 Hz* (60Hz data available)
 Motor input power P_1 : 0.19 kW*
 Rated current I_N : 0.90 A*
 Rated speed n_N : 910 min⁻¹*
 Starting current I_s : 2.00 A
 Current increase ΔI : 20 %
 Service capacitor C_{400V} : 6.0 μ F
 Thermal class: **THCL155***
 Min. permitted conveyor temperature $t_{R(min)}$: -25 °C
 Max. permitted conveyor temperature $t_{R(max)}$: 70 °C
 Electrical connection: Terminal box
 Number of blades: 7
 Protection class: IP54
 Motor protection: Thermal contact
 Blades: Aluminium, uncoated
 Rotor: Aluminium, uncoated
 Conformity: ErP 2015, CE
ErP Data
 Efficiency η_{statA} : 27.5 %
 Efficiency: $N_{actual} = 40.3 / N_{target} = 40$ **
 Frequency inverter required
 * Rated data
 **ErP 2015

➤ Connection diagrams Page 608
 for airflow direction V 1360-104XA
 for airflow direction A 1360-104XB

➤ System components Page 524

Characteristic curve

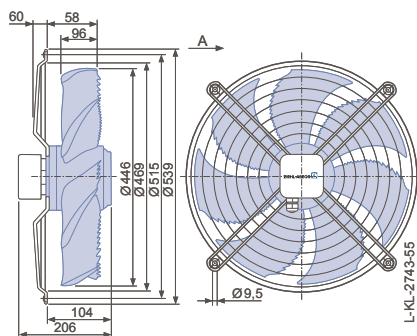


Measured in full bell mouth without guard grille in installation type A according to ISO 5801.

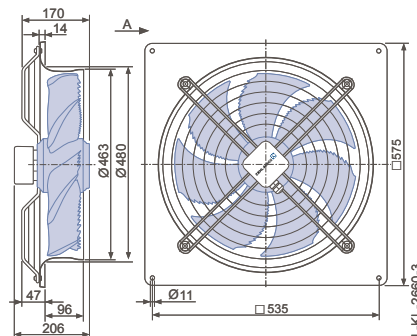
Dimensions [mm]

Airflow direction A

Design W - axial bolted, mounting for short bell mouth E

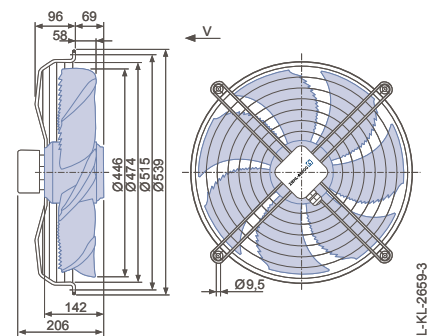


Design Q - square, full bell mouth



Airflow direction V

Design K - axial bolted, mounted for short bell mouth E



Performance data

Type	Characteristic curve	Voltage	Operating point	Current	Motor input power	Speed	Suction side sound power level
		U [V]		I [A]	P ₁ [W]	n [min ⁻¹]	
FN045-6E_.4F_.7P1	I	230	①	1.10	230	860	64
		230*	②	0.90*	190*	910*	
		230	③	0.78	160	930	
	II	170	④	1.20	170	510	63
		170	⑤	0.92	140	810	
		170	⑥	0.84	130	840	
	III	135	⑦	0.98	100	340	52
		135	⑧	0.96	100	470	
		135	⑨	0.94	100	530	
	IV	110	⑩	0.80	70	260	48
		110	⑪	0.78	70	340	
		110	⑫	0.78	70	370	

*rated data

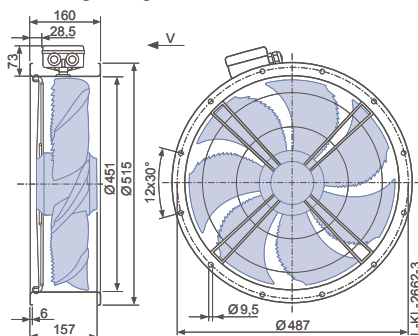
Fan ordering information

Design	Airflow direction A			Airflow direction V		
	W	Q	K	F (without contact protection)	F (with contact protection)	Q
Type	FN045-6EW.4F.A7P1	FN045-6EQ.4F.A7P1	FN045-6EK.4F.V7P1	FN045-6EF.4F.V7P1	FN045-6EF.4F.V7P1	FN045-6EQ.4F.V7P1
Article no.	155291	140109	140113	140537	140541	140117
Weight [kg]	11.00	14.60	11.00	14.20	14.50	14.40

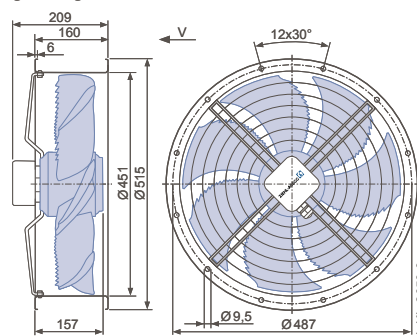
Control technology

<p>Frequency inverter Fcontrol 1~</p> <p>▶ Page 552</p>	<p>Motor protection units 1~</p> <p>▶ Page 596</p>	<p>Transformer-based controllers 1~</p> <p>▶ Page 587</p>	<p>Electronic voltage controllers 1~</p> <p>▶ Page 562</p>
---	--	---	--

Design F - flange ring with two flanges without guard grille



Design F - flange ring with two flanges and guard grille



Design Q - square, full bell mouth

