

iMIX-3 Black

32.8" x 24.1" x 12.6"
(83.3cm x 61.2cm x 32.0cm)



Servers and airpots sold separately

- 4.4gal (16.7L) hot water tank to meet peak serving times
- Alphanumeric display communicates advertising messages, machine status and technical support contact information
- Auger motors with RPM feedback monitoring assure consistent flavors and profits by controlling powder dosing
- Capacity: Three 8lb (3.6kg) hoppers
- Cup clearance at 7.25" (18.4cm) to accommodate popular cup sizes [adjustable to 8.12" (20.6cm)]
- Front of machine access to tank drain, dump valves, auger and whipper motors and control board for easy service set up and calibration
- High speed heavy-duty whipper for complete product mixing
- Low product detection system alerts audibly and with message on display when hoppers are low
- High efficiency LED lighted front graphics for merchandising
- Night mode to prevent pilferage
- Spring-loaded, all metal auger drive system for easy hopper installation

Agency:



Specifications

Product #: 36900.0000

Dispense: Push Button

Water Access: Plumbed

Finish: Black

Hoppers: Three

Door: Side Hinge

Additional Features

BUNNLINK Compatible

Electrical & Capacity

| Volts | Amps | Watts | Cord Attached | Plug Type | 8oz cups/hr 236ml cups/hr | Input H ₂ O Temp. | Phase | # Wires plus Ground | Hertz |
|-------|------|-------|---------------|------------|------------------------------|------------------------------|-------|---------------------|-------|
| 120 | 15 | 1800 | Yes | NEMA 5-15P | 72 | 60°F (15.5°C) | 1 | 2 | 50/60 |

Plumbing Requirements

| PSI | kPa | Fitting Supplied | Water Flow Required (GPM) |
|--------|---------|-------------------------|---------------------------|
| 20-100 | 138-689 | 1/4" Male Flare Fitting | - |

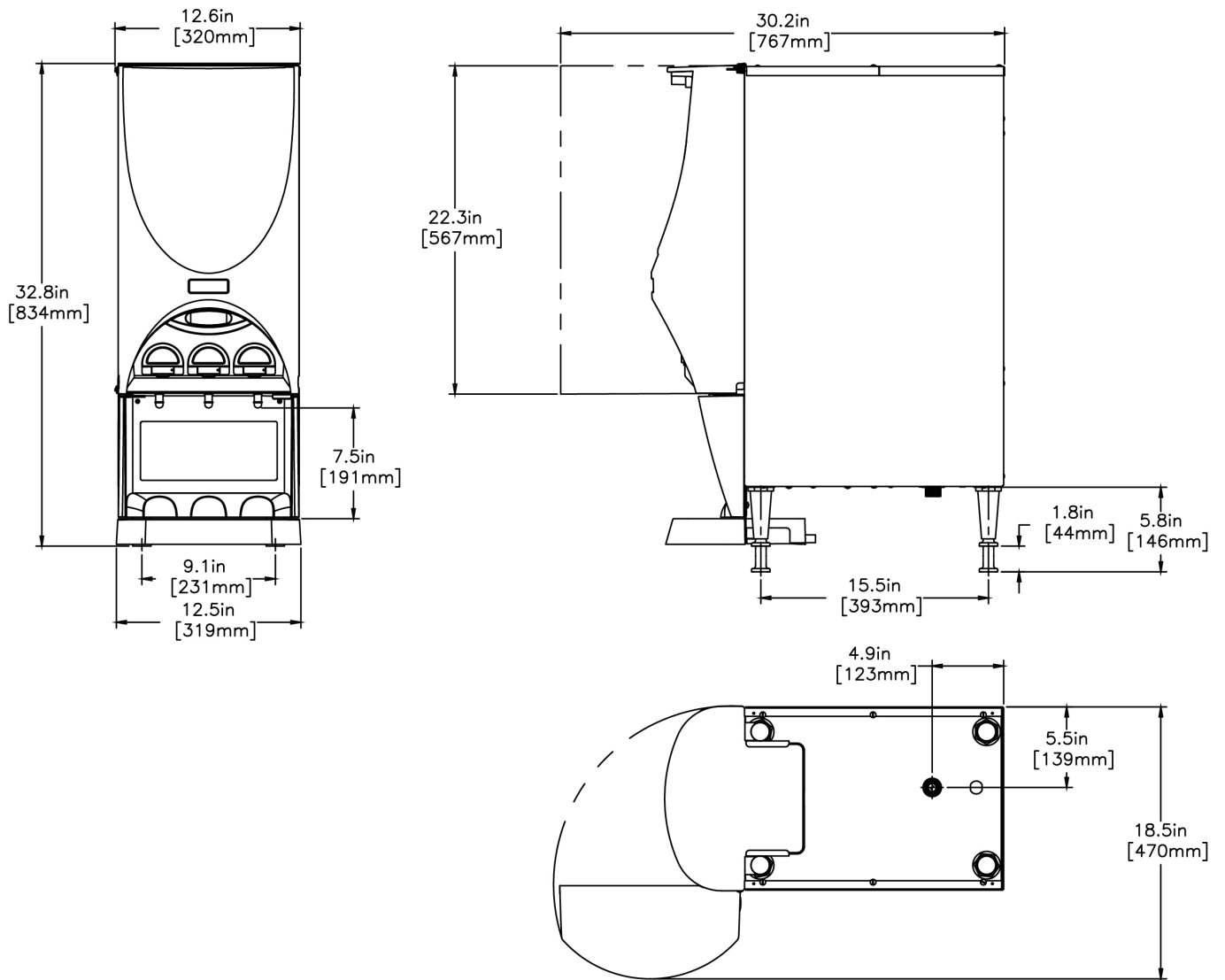
CAD Drawings

| 2D | Revit | KLC |
|----|-------|-----|
| ● | | |



BUNN® reserves the right to change specifications and product design without notice. Such revisions do not entitle the buyer to corresponding changes, improvements, additions or replacements for previously purchased equipment. For most current specifications and other info visit bunn.com.

Created on:
09/14/2017



| | Unit | | | Shipping | | | | |
|---------|----------|----------|----------|----------|--------|-------|-------------|--------|
| | Width | Height | Depth | Width | Height | Depth | Weight | Volume |
| English | 12.6 in. | 32.8 in. | 24.1 in. | - | - | - | 101.810 lbs | - |
| Metric | 32.0 cm | 83.3 cm | 61.2 cm | - | - | - | 46.181 kgs | - |



BUNN® reserves the right to change specifications and product design without notice. Such revisions do not entitle the buyer to corresponding changes, improvements, additions or replacements for previously purchased equipment. For most current specifications and other info visit bunn.com.

Created on:
09/14/2017

Related Products & Accessories:iMIX-3 Black(36900.0000)



DISPLAY GRAPHICS
IMIX-3

Product #: 37457.0000



DIBUJOS

Product #: 37457.0000



DISPLAY, GRAPHICS
CHAI TEA

Product #: 37457.0001



DISPLAY, GRAPHICS
HOT CHOC

Product #: 37457.0002



DISPLAY, GRAPHICS
STEAMERS

Product #: 37457.0003



DISPLAY, GRAPHICS
ICED CAP

Product #: 37457.0006



WATER FILTER,
EQHP-10L

Product #: 39000.0001



WATER FILTER,
EQHP-10

Product #: 39000.0004



BUNN® reserves the right to change specifications and product design without notice. Such revisions do not entitle the buyer to corresponding changes, improvements, additions or replacements for previously purchased equipment. For most current specifications and other info visit bunn.com.

Created on:
09/14/2017