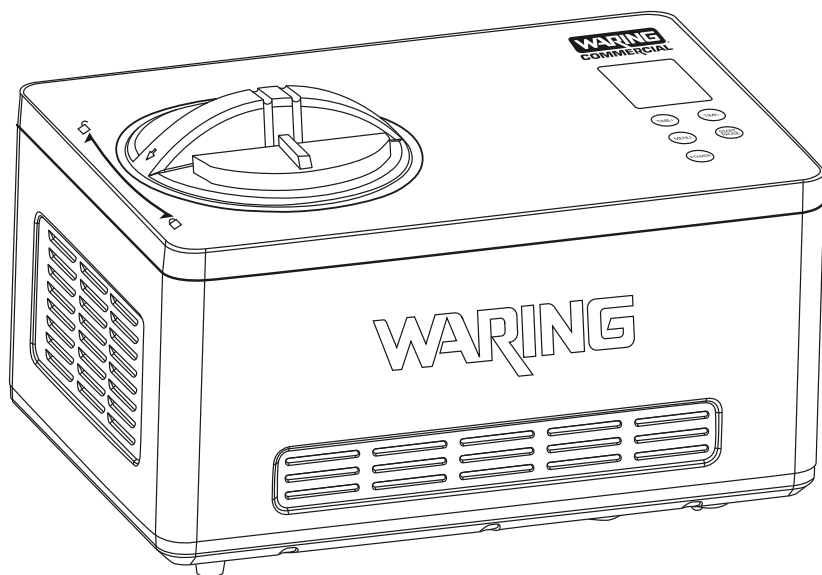


WARING COMMERCIAL[®]

2-Quart Compressor Ice Cream Maker

Máquina para hacer helados
de 1.9 L con compresor

Turbine à glace de 1.9 L



WCIC20

For your safety and continued enjoyment of this product,
always read the instruction book carefully before using.

Para su seguridad y para disfrutar plenamente de este producto, siempre lea
cuidadosamente las instrucciones antes de usarlo.

Afin que votre appareil vous procure en toute sécurité beaucoup de satisfaction,
lire attentivement le mode d'emploi avant de l'utiliser.

IMPORTANT SAFEGUARDS

When using an electrical appliance, basic safety precautions should always be followed to reduce the risk of fire, electric shock, and/or injury, including the following:

1. **READ ALL INSTRUCTIONS BEFORE USING.**

Always unplug from outlet when not in use, before putting on or taking off parts, and before cleaning.

2. Ensure the voltage is compliant with the voltage range stated on the rating label, and ensure the socket is in good condition.
3. If the supply cord is damaged, it must be replaced by the manufacturer or its service agent or a similarly qualified person in order to avoid a hazard.
4. To protect against risk of electric shock, do not pour water on cord, plug or ventilation, immerse the appliance in water or any other liquids.
5. Unplug the appliance after using or before cleaning.
6. Do not use accessories that are not recommended by the manufacturer.
7. This appliance can be used by persons with reduced physical, sensory or mental capabilities or lack of experience and knowledge only if they are supervised or have been instructed on the safe use of the appliance and understand the hazards involved. Cleaning and user maintenance must not be done by any of the persons listed above without supervision.
8. Do not use the appliance close to open flames, hot plates or stoves.
9. Do not press START/PAUSE prior to installing the removable bowl or mixing paddle.
10. Do not remove the removable bowl or paddle when the appliance is on.
11. Do not use outdoors.
12. Never clean any parts with scouring powders or sharp objects.
13. Do not use the removable bowl of this appliance to store processed foods or beverages.
14. This product is intended to be used only in commercial applications.

15. Do not place fingers inside bowl when “Mix In” ingredient lid is removed and unit is running.
16. Do not upend this product or incline it over a 45° angle.
17. Keep the appliance at least 3 inches from other objects to ensure motor ventilation.
18. Do not operate your appliance in an appliance garage or under a wall cabinet.

When storing in an appliance garage always unplug the unit from the electrical outlet. Not doing so could create a risk of fire, especially if the appliance touches the walls of the garage or the door touches the unit as it closes.

19. Keep hands and utensils out of mixing bowl while in use to reduce the risk of injury to persons or to the appliance itself. **DO NOT USE SHARP OBJECTS OR UTENSILS INSIDE THE MIXING BOWL!** Sharp objects will scratch and damage the inside of the bowl. A rubber spatula or wooden spoon may be used when the appliance is in the off position.
20. Do not let cord hang over edge of table or counter, or touch hot surfaces.
21. Avoid contact with moving parts. Keep hands, hair, clothing, as well as spatulas and other utensils away from unit during operation to reduce the risk of injury and/or damage to the appliance.
22. Do not switch on the power button frequently (ensure 5 min. interval at least) to avoid the damage of compressor.
23. Metal sheet or other electric objects are not allowed to be inserted into the appliance to avoid fire and short circuit.
24. When removing the ice cream, be careful to not damage the batch bowl edge.
25. Do not switch the power on prior to installing the batch bowl and paddle.
26. The initial temperature of the ingredients should be between 77°F (25°C) and 41°F (-5°C). Do not place ingredients into the freezer to pre-freeze, as this will increase the chances of ingredients to reach ideal consistency without the appropriate amount of air incorporated.

SAVE THESE INSTRUCTIONS

APPROVED FOR COMMERCIAL USE

SPECIFICATIONS

Model: WCIC20

Capacity: 2 Quarts

Voltage: 120VAC/60Hz

Power Consumption: 180W

Unit Dimensions: 16.7L X 12.2W X 10.3H inches
(42.5 X 30.9 X 26.2cm)

Packing Dimensions: 20.0L X 14.57W X 12.8H inches

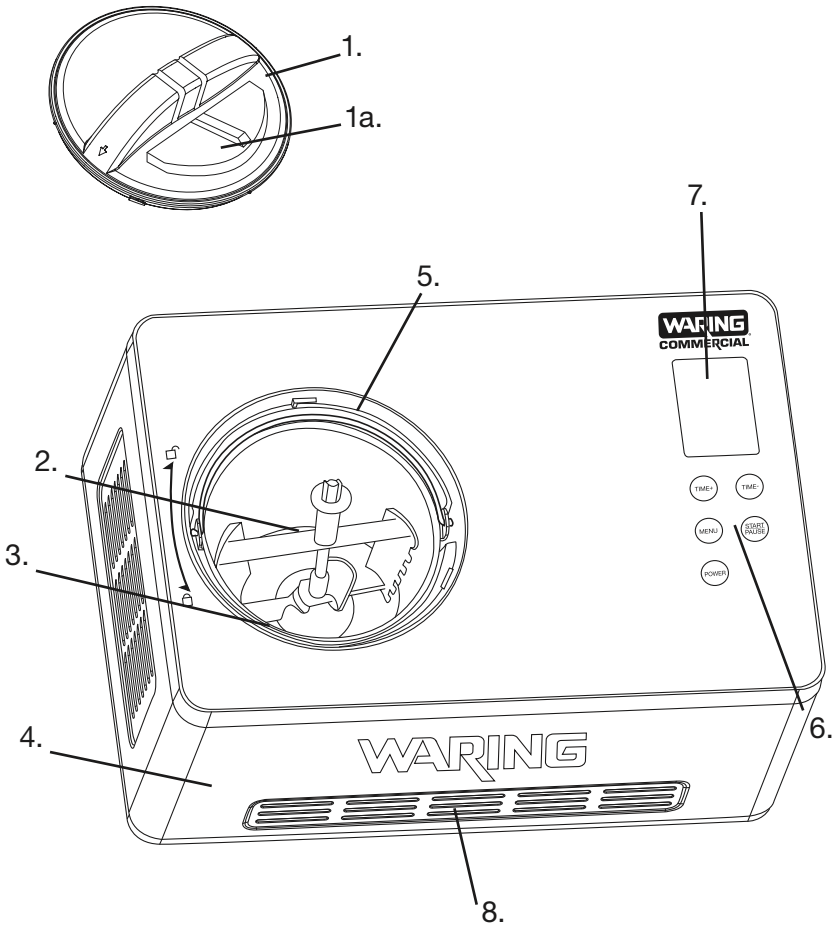
N.W: 26.5 lbs. (12.03kg)

G.W: 30.5 lbs. (13.85kg)

WARNING:

Do not store explosive substances such as aerosol cans with a flammable propellant in this appliance. Keep ventilation openings, in the appliance enclosure or in the built-in structure, clear of obstruction. Do not damage the refrigerant circuit.

PARTS AND ACCESSORIES

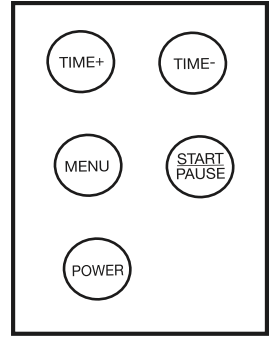


1. Batch Bowl Lid (dishwasher safe)
- 1a. "Mix Ins" ingredient lid (dishwasher safe)
2. Mixing paddle (dishwasher safe)
3. Removable bowl (handwash only)
4. Stainless steel housing
5. Freezing chamber
6. Touch controls
7. LCD display
8. Housing Vents (located on front, side and rear of unit)

TOUCH CONTROLS

POWER Control: After plugging the unit in, the machine will enter Standby mode and the LCD will display 00. Touch the POWER control to enter the programming mode.

MENU Control: By touching this control, the user has 3 modes to choose from: ICE CREAM (which mixes and cools), COOLING ONLY (which mixes intermittently 2-3 times per minute), and MIXING ONLY.



NOTE: To switch to a different mode at any time during the process (except “KEEP COOL” mode), press/hold MENU for 3 seconds.

TIME+ Control: Touch TIME+ control once to increase time by 1 minute. Touching the control for 2 seconds will increase time more rapidly. The maximum run time is 60 minutes.

TIME- Control: Touch TIME- control once to decrease time by 1 minute. Touching the control for 2 seconds will decrease time more rapidly. The minimum run time is 5 minutes.

START/PAUSE Control: After setting the MENU and TIME, touch this control to start operation. Touching this control during operation will pause both operation and the time countdown. All touch control buttons are accessible during processing except MENU. To access the MENU during processing, touch POWER to turn off, touch POWER again to turn back on, then touch MENU.

DISPLAY ICONS



The mixing icon rotates while mixing is in operation.



The snowflake icon changes shape while cooling is in operation.

All touch control buttons are accessible during processing except MENU. To access the MENU during processing, touch POWER to turn off, touch POWER again to turn back on, then touch MENU.

BEFORE FIRST USE

Thoroughly clean and sanitize all parts that will come into contact with ice cream, including the removable bowl, mixing paddle and lids. See Sanitizing instructions.

Warning: Be sure the power cord is unplugged during this process.

Important: Always place the Ice Cream Maker upright on a flat and level surface for 24 hours prior to use to ensure the compressor provides optimum performance.

GENERAL OPERATION

When the Ice Cream, Sorbet, or Gelato is ready and has reached ideal consistency for dispensing from the mixing bowl the dasher paddle will stop to avoid over churning but it will continue to chill for the duration of the timer setting chosen.

Plug in the unit. The LCD will flash 00. The unit is now in standby mode.

Touch POWER. The LCD will show 3 programming mode choices. When you touch MENU, you can select the mode you prefer: ICE CREAM, COOLING ONLY or MIXING ONLY. Once you've made your selection, the default processing time for that mode will display, along with the appropriate icon for mixing and/or cooling. At this point and during processing, you can adjust your processing time by touching TIME+ or TIME-.

When processing is complete, 00:00 will appear in the display and 3 audible alert will beep.

The unit will enter the COOL mode if no control has been touched within 10 minutes following the completion of processing. This ensures the product in the removable bowl stays cool. In the COOL mode, all touchpad controls except POWER will become inactive. After an additional 10 minutes, if no other function has been selected, the unit will go into standby mode (LCD displays 00).

For optimum consistency, chill all mixtures for a minimum of 2 hours, or up to 3 days. Always re-whisk the mixture after chilling to be sure all ingredients are well combined. While chilling the mixture is not required, this step will prevent any "ice" or "fat" crystals from forming during the freezing process for resting it in a chilled environment helps bind the ingredients together.

If a firmer consistency is desired, transfer to an airtight container and place in freezer for about 2 hours. Remove from freezer about 15 minutes before serving.

Motor Protection Function

To help protect the machine's motor from overheating or damage, the unit will stop mixing when the motor temperature reaches about 115°C/239°F. The unit will automatically reset itself once the motor temperature drops below 115°C/239°F. You are not required to unplug or turn off the machine.

COMPRESSOR PROTECTION FUNCTION

If Cooling mode is paused or turned off, there will be a 3 minute delay for the compressor to turn back on and begin cooling again. The cooling icon will still be displayed but no cooling will be taking place. This delay protects the compressor from damage and ensures optimum performance..

Controlling the Volume of the Ingredients

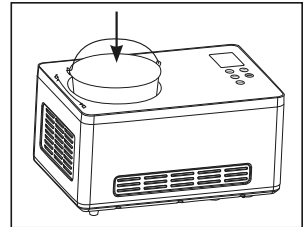
To avoid overflow and waste, keep ingredients about ¼" under the top of the mixing paddle. Ice cream expands to different degrees depending on the recipe as it's processing.

The Differences Among the Three Working Modes

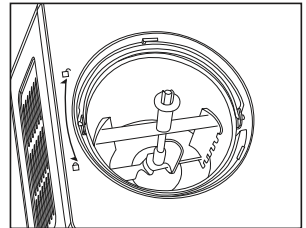
1. **ICE CREAM MODE:** The default working time is 45 minutes. In this mode, ice cream, sorbet and frozen yogurt are processed via mixing and cooling.
2. **COOLING ONLY MODE:** The default working time is 30 minutes. In this mode, the unit keeps the contents cold, with intermittent mixing. (2-3 times per minute)
3. **MIXING ONLY MODE:** The default working time is 10 minutes. This mode is used to mix ingredients, with no cooling.

MAKING ICE CREAM

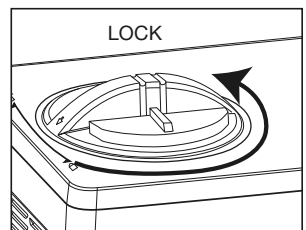
Step 1. Prepare ingredients using your favorite recipe. Note: You do not need to freeze the removable bowl in advance. This machine has a **BUILT-IN COMPRESSOR** that freezes the ingredients for you.



Step 2. Place the removable bowl into the freezing chamber, and press down firmly.



Step 3. Place the mixing paddle into the removable bowl, being sure to engage the bottom hole in the mixing paddle with the motor axis.



Step 4. Pour the ingredients into the removable bowl. Keep ingredients about ¼" under the top of the mixing paddle. Place the lid onto the machine and turn it counterclockwise to lock into place.

Step 5. Touch **POWER** to turn unit on.

Step 6. Touch **MENU** to choose the desired mode.

Step 7. Touch **TIME+** or **TIME-** to set the processing time.

Step 8. Touch **START/PAUSE** to start processing.

Step 9. Remove Ingredient Lid to add ingredients and replace lid when done.

Step 10. When processing is complete, an alert will beep. Turn off the machine by touching **POWER**, remove lid, then lift out the removable bowl.

Step 11. Remove the mixing paddle and use a plastic scoop or wooden spoon to remove finished ice cream and place it in another container for storage. Do not use a metal scoop, which could scratch the inside of the removable bowl.

Step 12. If a firmer consistency is desired, transfer to an airtight container and place in freezer for about 2 hours. Remove from freezer about 15 minutes before serving.

CLEANING AND SANITIZING

CAUTION: THE POWER CORD MUST BE UNPLUGGED BEFORE PROCEEDING TO AVOID ELECTRIC SHOCK.

TO CLEAN AND SANITIZE REMOVABLE BOWL, PADDLE AND LIDS

The removable bowl, mixing paddle, and lid must be cleaned and sanitized before initial use and after each use, unless unit is going to be used again within one hour. Failure to do so may allow residue of processed material to collect on the internal seals of the drive assembly, rendering them ineffective.

NOTE: In repetitive batch-processing applications, cleaning the removable bowl between batches will prolong the life of the drive assembly.

WASH

Use only low-foaming powdered detergents formulated for cleaning dishware and cooking utensils. These products can be purchased from restaurant and commercial food service suppliers. Follow the detergent manufacturer's instructions.

1. Remove lids, removable bowl and paddle from unit.
2. Hand-wash the removable bowl with detergent. Do not put removable bowl in the dishwasher.
3. The lids and mixing paddle can be washed by hand or in a commercial dishwasher. Use the brush to clean inside the bottom hole of the mixing paddle before placing in the dishwasher.
4. Pre-clean stubborn food deposits with brush and presoak in the detergent solution if necessary.

Any other servicing should be performed by an authorized service representative.

RINSE

Use only water to rinse.

SANITIZE

Use regular, unscented bleach diluted with water between 50°F and 120°F. The sanitizing dilutions are based on the hypochlorite concentration of the bleach. The dilutes for 2 commonly available bleach concentrations are:

- Hypochlorite: 5.25%–3 teaspoons bleach per gallon of water
 - Hypochlorite 8.25%–2 teaspoons bleach per gallon of water
1. Wet a soft cloth or sponge with a bleach dilution listed above.
 2. Wipe down interior and exterior of lids, removable bowl and mixing paddle.
 3. Place removable bowl into freezing chamber, install paddle and fill with sanitizing solution to above the mixing paddle. Cover with lids (to prevent splashing) and run on MIXING ONLY for 2 minutes. Empty removable bowl.
 4. Immerse lids in sanitizing solution and soak for 2 minutes.

AIR-DRY

Do not rinse after sanitizing is completed. Drain sanitizing solution and allow parts to air-dry.

TO CLEAN AND SANITIZE HOUSING BASE AND FREEZING CHAMBER

The housing base and freezing chamber must be cleaned and sanitized before first use, and whenever unit has come into contact with food. Remove the vent cover on the rear of the unit.

1. To clean: Wipe down exterior housing and freezing chamber with wet cloth. Remove and clean under the vent cover if necessary.
2. To sanitize; Wipe entire exterior housing and freezing chamber with a soft cloth or sponge that has been dampened with sanitizing solution* and wrung out to avoid any excess solution running into housing vents in base. **DO NOT IMMERSER HOUSING BASE IN WASHING SOLUTION, RINSE WATER OR SANITIZING SOLUTION.**
3. Allow to air-dry.
4. Reinstall the vent cover on the rear of the unit.

*Use only sanitizing solutions recommended above.

LIMITED ONE YEAR WARRANTY

Waring warrants every new Waring® Commercial Ice Cream Maker to be free from defects in material and workmanship for a period of one year from the date of purchase when used with foodstuffs, nonabrasive liquids (other than detergents) and nonabrasive semiliquids, provided it has not been subject to loads in excess of the indicated rating. In addition, the motor in this appliance has a full three-year warranty. Under this warranty, the Waring Commercial Division will repair or replace any part that, upon our examination, is defective in materials or workmanship, provided the product is delivered prepaid to the Waring Service Center at: 314 Ella T. Grasso Ave., Torrington, CT 06790, or any Factory Approved Service Center.

This warranty does not: a) apply to any product that has become worn, defective, damaged or broken due to use or due to repairs

or servicing by other than the Waring Service Center or a Factory Approved Service Center, or due to abuse, misuse, overloading or tampering; or b) cover incidental or consequential damages of any kind.

The one-year warranty is applicable only to appliances used in the United States or Canada; this supersedes all other express product warranty or warranty statements. For Waring products sold outside of the U.S. and Canada, the warranty is the responsibility of the local importer or distributor. This warranty may vary according to local regulations. Warning: This warranty is void if appliance is used on Direct Current (DC).

SERVICE

Should service on this product in USA or Canada be required at any time, call or write to:

Waring Service Center • P.O. Box 3201 • 314 Ella T. Grasso Ave.
• Torrington, CT 06790

Tel. 1-800-492-7464 • FAX (860) 496-9017 or nearest Authorized Service Center replacement parts for Waring out-of-warranty repairs are obtainable at the above address.

MEDIDAS DE SEGURIDAD IMPORTANTES

Al usar aparatos eléctricos, siempre debe tomar precauciones básicas de seguridad para reducir el riesgo de incendio, electrocución o heridas, incluso las siguientes:

1. **LEA TODAS LAS INSTRUCCIONES ANTES DE USARLO.**

Desconecte el aparato cuando no está en uso, antes de instalar/sacar piezas y antes de limpiarlo.

2. Cerciórese de que el voltaje y la frecuencia de la toma de corriente coincidan con el voltaje y la frecuencia indicados en la placa de especificaciones técnicas del aparato y de que la toma de corriente esté en buen estado.
3. Para su seguridad, el cable debe ser reemplazado por el fabricante, un centro de servicio autorizado u otra persona calificada.
4. Para reducir el riesgo de electrocución, no moje el cable, la clavija ni las ventilaciones, ni sumerja el cuerpo del aparato en agua u otro líquido.
5. Siempre desconecte el aparato después del uso y antes de limpiarlo.
6. Solo use los accesorios/aditamentos recomendados por el fabricante.
7. Este aparato puede ser usado por personas que carecen de la experiencia o de los conocimientos necesarios para manipularlo, o personas cuyas capacidades físicas, sensoriales o mentales están limitadas, siempre que una persona responsable por su seguridad le haya explicado el funcionamiento y los riesgos o supervise el uso del aparato. La limpieza y el mantenimiento no deben ser llevados a cabo por aquellas personas nombradas anteriormente, a menos que sean supervisadas.
8. No utilice el aparato cerca de llamas, hornillos o estufas.
9. No presione el botón START/PAUSE a menos que el bol y la paleta mezcladora estén debidamente instalados.
10. No retire el bol removible ni la paleta mezcladora durante el funcionamiento.
11. No lo utilice en exteriores.

12. Nunca limpie el aparato con productos/materiales abrasivos o utensilios punzantes/afilados.
13. No guarde alimentos o líquidos en el bol.
14. Este aparato ha sido diseñado para uso comercial.
15. No meta los dedos en el bol ni en la boca de llenado durante el funcionamiento.
16. No vuelque ni incline el aparato a un ángulo superior a 45°.
17. Mantenga el aparato a una distancia mínima de 3 pulgadas (8 cm) de otros objetos para asegurar una ventilación adecuada del motor.
18. No haga funcionar el aparato debajo o dentro de un armario/gabinete.
Siempre desconecte el aparato antes de guardarlo en un armario/gabinete. Dejar el aparato conectado presenta un riesgo de incendio, especialmente si este toca las paredes o la puerta del armario/gabinete cuando cierra.
19. Para reducir el riesgo de heridas o daños a la máquina, mantenga las manos y utensilios lejos del tazón durante el funcionamiento. ¡NUNCA INTRODUZCA OBJETOS O UTENSILIOS PUNZANTES EN EL BOL! Estos podrían rayar y dañarlo. Puede utilizar una espátula de goma o una cuchara de madera, siempre que la máquina esté apagada.
20. No permita que el cable cuelgue del borde de la encimera o de la mesa, ni que haga contacto con superficies calientes.
21. Evite el contacto con las piezas móviles. Para evitar el riesgo de heridas y/o daños a la máquina, mantenga los dedos, cabello, ropa, espátulas y otros utensilios lejos del aparato durante el funcionamiento.
22. Después de apagar el aparato, espere por 5 minutos antes de encenderlo otra vez para evitar los daños al compresor.
23. Para evitar el riesgo de incendio o cortocircuito, no introduzca objetos de metálicos o eléctricos en el aparato.
24. Tenga cuidado de no dañar el bol al sacar el helado del mismo.
25. No encienda la máquina antes de haber instalado el bol y la paleta mezcladora.
26. La temperatura inicial de los alimentos debe estar entre 77°F (25°C) y 41°F (-5°C). No congele los alimentos antes de la preparación; esto puede bloquear la paleta mezcladora y afectar el resultado.

GUARDE ESTAS INSTRUCCIONES

APROBADO PARA

USO COMERCIAL

ESPECIFICACIONES TÉCNICAS

Modelo: WCIC20

Capacidad: 2 cuartos de galón (1.9 L)

Voltaje: 120 V AC, 60 Hz

Consumo de energía: 180 W

Dimensiones de la unidad: 16.7 x 12.2 x 10.3 pulgadas

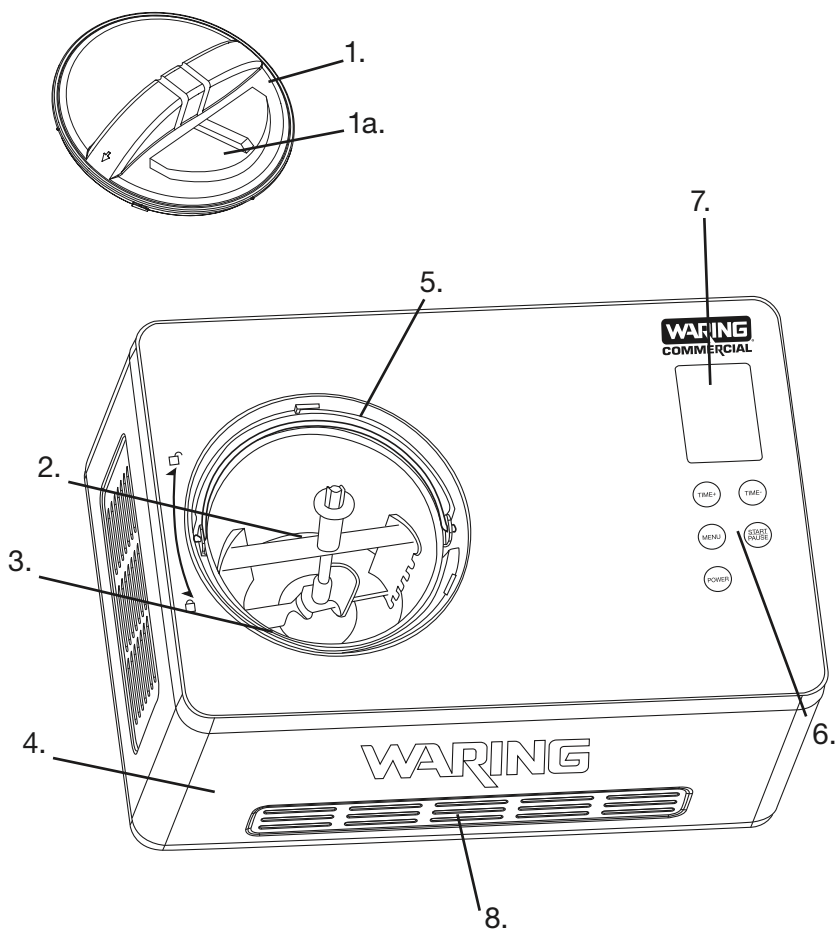
Dimensiones de la caja:

Peso neto: 26.5 lb. (12 kg)

Peso bruto: 30.5 lb. (13.85 kg)

ADVERTENCIA: no guarde sustancias explosivas, tales como latas de aerosol que contengan un agente propulsor inflamable, en este aparato. Mantenga las ventilaciones de aire internas y externas libres de obstrucciones. No utilice ningún dispositivo mecánico u otros medios, excepto los recomendados por el fabricante, para acelerar el proceso de descongelación. No dañe el circuito refrigerante. No utilice ningún aparato eléctrico dentro del tazón, a menos que sean aparatos recomendados por el fabricante.

PIEZAS Y CARACTERÍSTICAS



1. Tapa del bol (apta para lavavajillas)
- 1a. Tapa de la boca de llenado (apta para lavavajillas)
2. Paleta mezcladora (apta para lavavajillas)
3. Bol removible (lavable a mano solamente)
4. Carcasa de acero inoxidable
5. Cámara de enfriamiento
6. Panel de control electrónico
7. Pantalla LCD
8. Ventilaciones (en frente, en el costado y en la parte trasera)

PANEL DE CONTROL ELECTRÓNICO

Botón POWER: después de conectar el cable a la toma de corriente, la máquina ingresará automáticamente al modo de espera y “00” aparecerá en la pantalla. Presione el botón POWER para poner el aparato bajo tensión.

Botón MENU: permite elegir entre 3 programas:

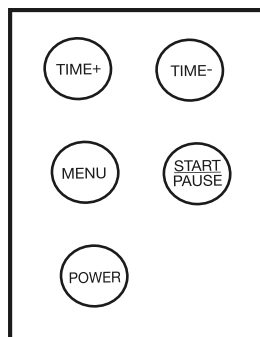
- ICE CREAM (helado), que mezcla y enfría
- COOLING ONLY (enfriamiento), que enfría y mezcla 2–3 veces por minuto
- MIXING ONLY (mezcla), que mezcla solamente

NOTA: para cambiar el programa durante el ciclo de preparación, mantenga oprimido el botón MENU por 3 segundos.

Botón TIME+: presiónelo para aumentar el tiempo en incrementos de 1 minuto. Manténgalo oprimido para aumentar el tiempo más rápido. El tiempo máximo es de 60 minutos.

Botón TIME-: presiónelo para disminuir el tiempo en incrementos de 1 minuto. Manténgalo oprimido para disminuir el tiempo más rápido. El tiempo mínimo es de 5 minutos.

Botón START/PAUSE: empieza el ciclo de preparación después de haber elegido el programa y programado el tiempo. También permite apagar el aparato y el temporizador. Nota: todos los botones están operacionales durante el funcionamiento, excepto el botón MENU. Para acceder al menú una vez empezado el ciclo de preparación, deberá apagar y volver a encender la unidad (presionando el botón POWER), y luego presionar el botón MENU.



ICONOS



Este icono indica que el modo “mezcla” está activo.



Este icono indica que el modo “enfriamiento” está activo.

Nota: todos los botones están operacionales durante el funcionamiento, excepto el botón MENU. Para acceder al menú una vez empezado el ciclo de preparación, deberá apagar y volver a encender la unidad (presionando el botón POWER), y luego presionar el botón MENU.

ANTES DEL PRIMER USO

Lave y sanee el bol removible, la paleta mezcladora y las tapas (véase la sección “Limpieza y desinfección”).

Advertencia: asegúrese de que el aparato esté desconectado.

Importante: deje la máquina sobre una superficie llana y estable por 24 horas antes de enchufar el aparato para asegurar el buen funcionamiento del compresor.

FUNCIONAMIENTO BÁSICO

Nota: cuando el helado, el sorbete o el helado haya alcanzado su consistencia final, la paleta mezcladora dejará de girar pero el ciclo de enfriamiento continuará hasta el final tiempo programado.

1. Conecte el cable a una toma de corriente. “00” aparecerá en la pantalla, lo que significa que la unidad está en el modo de espera.
2. Presione el botón POWER. Los tres programas aparecerán en la pantalla.
3. Presione el botón MENU para elegir el programa deseado: ICE CREAM (helado), COOLING ONLY (enfriamiento) o MIXING ONLY (mezcla). El tiempo por defecto del programa y el icono correspondiente aparecerán en la pantalla.
4. Presione el botón TIME+ o TIME– para aumentar/disminuir el tiempo si desea.

Al final del ciclo de preparación “00:00” aparecerá en la pantalla y la unidad emitirá 3 pitidos.

Después de 10 minutos sin presionar ningún botón, el modo “enfriamiento” se activará automáticamente para conservar la consistencia del producto. Cuando la unidad esté en el modo de enfriamiento, todos los botones están operacionales excepto el botón POWER. Después de 10 minutos más sin presionar ningún botón, la unidad regresará al modo de espera y la pantalla mostrará “00”.

Para obtener una consistencia óptima, congele la mezcla durante 2 horas o más (hasta 3 días) antes de empezar la preparación. Siempre revuelva la mezcla antes de empezar la preparación. Nota: aunque congelar la mezcla antes de la preparación no es necesario, esto ayuda a mantener los ingredientes unidos, lo que evita la formación de cristales de hielo o de grasa durante la preparación.

Si desea que el helado sea más firme, póngalo en un recipiente hermético y congelélo por aproximadamente 2 horas. Retírelo del congelador 15 minutos antes de servir.

Protección antisobrecalentamiento

El aparato está equipado con un dispositivo de protección antisobrecalentamiento que apaga el motor si este alcanza 115 °C (239 °F). La unidad se reiniciará automáticamente cuando la temperatura del motor baje bajo 115 °C (239 °F). No es necesario desenchufar el aparato.

FUNCIÓN DE PROTECCIÓN DEL COMPRESOR

Después de pausar o apagar el modo de enfriamiento, el compresor demorará 3 minutos antes de volver a ponerse en marcha. El icono del modo de enfriamiento permanecerá en la pantalla, pero el compresor no empezará a refrigerar antes del final de la pausa. Esta pausa de seguridad protege el compresor de los daños y asegura un rendimiento óptimo.

Capacidad máxima

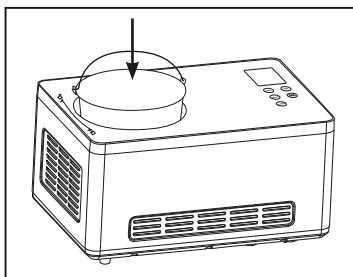
Para evitar los derrames, no llene el bol hasta más allá de ¼ de pulgada (0.5 cm) de la parte superior de la paleta mezcladora. Los ingredientes se dilatan durante la preparación; el volumen final varía según la receta.

Diferencias entre los programas

1. **ICE CREAM (helado):** el tiempo por defecto del ciclo de preparación es de 45 minutos. El modo “mezcla” y el modo “enfriamiento” están activados.
2. **COOLING ONLY (enfriamiento):** el tiempo por defecto del ciclo de preparación es de 30 minutos. el modo “enfriamiento” está activado y el modo “mezcla” se activa por intermitencia, a intervalos de 2–3 veces por minuto.
3. **MIXING ONLY (mezcla):** el tiempo por defecto del ciclo de preparación es de 10 minutos. Solamente el modo “mezcla” está activado.

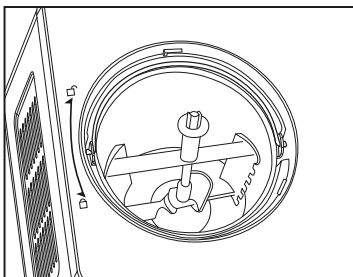
MODO DE EMPLEO

Paso 1. Preparar los ingredientes de la receta. Nota: no es necesario congelar el bol. La máquina está equipada con un COMPRESOR INTEGRADO que congela los ingredientes.

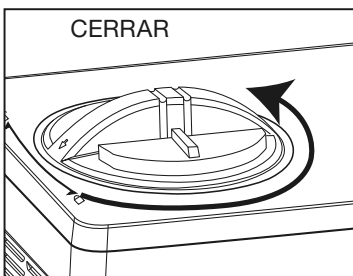


Paso 2. Coloque el bol en la cámara de enfriamiento, presionando firmemente.

Paso 3. Instale la paleta mezcladora en el bol, cerciorándose de introducirla sobre el eje del motor.



Paso 4. Eche los ingredientes en el bol removible, cerciorándose de no llenar este hasta más allá de $\frac{1}{4}$ de pulgada (0.5 cm) de la parte superior de la paleta mezcladora. Cierre la tapa, girando en sentido antihorario para sujetarla.



Paso 5. Presione el botón **POWER** para poner el aparato bajo tensión.

Paso 6. Presione el botón **MENU** y elija el programa deseado.

Paso 7. Presione el botón **TIME+** o **TIME-** para aumentar/disminuir el tiempo si desea.

Paso 8. Presione el botón **START/PAUSE** para encender la máquina.

Paso 9. Para agregar ingredientes durante la preparación, retire la tapa de la boca de llenado; vuelva a cerrarla inmediatamente.

Paso 10. Al final del tiempo, la unidad emitirá un pitido. Presione el botón **POWER** para apagar, saque la tapa y retire el bol removible.

Paso 11. Retire la paleta mezcladora del bol, saque el helado con una cuchara de plástico o de madera y póngalo en otro recipiente. No utilice utensilios de metal; esto puede rayar el bol.

Paso 12. Si desea que el helado sea más firme, ponerlo en un recipiente hermético y congelarlo por aproximadamente 2 horas. Retirarlo del congelador 15 minutos antes de servir.

LIMPIEZA Y DESINFECCIÓN

PRECAUCIÓN: PARA REDUCIR EL RIESGO DE ELECTROCUCIÓN, SIEMPRE DESCONECTE EL APARATO ANTES DE LIMPIARLO/ DESINFECTARLO.

LIMPIEZA Y DESINFECCIÓN DEL BOL REMOVIBLE, DE LA PALETA MEZCLADORA Y DE LAS TAPAS

Lave el bol removible, la paleta mezcladora y las tapas antes del primer uso y después de cada uso, a menos que vuelva a utilizarlo dentro de la hora siguiente. El incumplimiento de estas instrucciones puede causar una acumulación de residuos sobre el mecanismo interno, perjudicando su buen funcionamiento.

NOTA: limpiar el bol frecuentemente incrementará la vida útil del mecanismo interno.

PARA LAVAR

Utilice solamente detergentes en polvo bajos en espuma y especialmente formulados para lavar la vajilla y los utensilios de cocina (disponibles en los proveedores de material para restaurantes y otros establecimientos de comida). Siga las instrucciones del fabricante.

1. Retire las tapas, el bol removible y la paleta mezcladora de la unidad.
2. Lave el bol removible a mano. No lo meta al lavavajillas.
3. Lave las tapas y la paleta mezcladora a mano o en el lavavajillas. Use un cepillo para limpiar el orificio abajo de la paleta mezcladora antes de meterla al lavavajillas.
4. Si es necesario, restriegue los residuos difíciles y deje remojar las piezas antes de lavarlas.

Cualquier otro servicio debe ser realizado por un técnico autorizado.

PARA ENJUAGAR

Solamente use agua para enjuagar.

PARA SANEAR

Utilice cloro regular, diluido en agua entre 50°F (10°C) y 120°F (50°C). La proporción exacta de agua/cloro dependerá de la concentración de hipoclorito en el cloro. Proporciones para los productos más comunes:

- 5.25 % de hipoclorito: 3 cucharaditas (15 ml) de cloro por galón (3.8 L) de agua
- 8.25 % de hipoclorito: 2 cucharaditas (10 ml) de cloro por galón (3.8 L) de agua

1. Empape un paño suave o una esponja en solución desinfectante.
2. Limpie el interior y el exterior de las tapas, del bol removible y de la paleta mezcladora.
3. Coloque el bol removible en la cámara de enfriamiento, instale la paleta mezcladora y llene el bol hasta arriba de la paleta con solución desinfectante. Cierre las tapas y encienda la máquina por 2 minutos, usando el programa MIXING ONLY. Vacíe el bol removible.
4. Remoje las tapas en la solución desinfectante por 2 minutos.

PARA SECAR

No enjuague las piezas después de haberlas desinfectadas. Escurra las piezas y permita que se sequen al aire libre.

LIMPIEZA Y DESINFECCIÓN DE LA BASE Y DE LA CÁMARA DE ENFRIAMIENTO

Limpie la base y la cámara de enfriamiento antes del primer uso y después de cada uso. Quite la tapa de ventilación trasera.

1. Para limpiar: limpie el exterior de la carcasa y el interior de la cámara de enfriamiento con un paño humedecido. Retire y limpie las ventilaciones si es necesario.
2. Para sanear: limpie el exterior de la carcasa y el interior de la cámara de enfriamiento con un paño suave o una esponja humedecidos en solución desinfectante* (estruje el paño/la esponja para evitar que líquido penetre en las ventilaciones). **NO SUMERJA LA CARCASA EN SOLUCIÓN LIMPIADORA, AGUA O SOLUCIÓN DESINFECTANTE.**
3. Permita que se seque al aire libre.
4. Vuelva a instalar la tapa de ventilación trasera.

*Utilice solamente las soluciones desinfectantes recomendadas más arriba.

GARANTÍA LIMITADA DE UN AÑO

Waring garantiza toda nueva malteadora Waring® Commercial contra todo defecto de materiales o fabricación durante un año a partir de la fecha de compra, siempre que haya sido usada con alimentos, líquidos no abrasivos (a excepción de detergentes) y semi-líquidos no abrasivos, y que no haya sido sujeta a cargas que excedan su máxima capacidad. Por otra parte, el motor de este aparato tiene una garantía completa de tres años. Bajo esta garantía, Waring Commercial reparará o reemplazará toda pieza que, tras estar inspeccionada por nuestro servicio posventa, demuestre defectos de materiales o fabricación, siempre que el producto se entregue con franqueo pagado a: 314 Ella T. Grasso Ave., Torrington, CT 06790, o a cualquier centro de servicio aprobado.

Esta garantía: a) no se aplica a ningún producto desgastado, defectuoso, dañado o roto debido a uso, reparaciones/servicio realizados por personas no autorizadas, o abuso, mal uso, sobrecarga o daños intencionales; b) no cubre daños incidentales o consecuentes de ningún tipo.

Esta garantía es válida solamente para los aparatos comprados en los Estados Unidos y el Canadá y reemplaza todas las demás declaraciones expresas de garantía. La garantía de los productos Waring adquiridos fuera de los Estados Unidos y del Canadá es la responsabilidad del importador/distribuidor local. Los derechos de garantía pueden variar según las regulaciones locales. Advertencia: utilizar este aparato con corriente continua (C.C./DC) invalidará la garantía.

SERVICIO POSTVENTA

Para servicio en los Estados Unidos o Canadá, comuníquese con:

Waring Service Center
P.O. Box 3201
314 Ella T. Grasso Ave.
Torrington, CT 06790

Tel.: 1-800-492-7464 • Fax: (860) 496-9017

Piezas de repuesto para reparaciones “fuera de garantía” están disponibles en la misma dirección.

IMPORTANTES CONSIGNES DE SÉCURITÉ

L'utilisation d'appareils électriques requiert la prise de précautions élémentaires afin de réduire le risque de brûlures, d'électrocution, d'incendie ou de blessures, parmi lesquelles les suivantes :

1. **LIRE TOUTES LES INSTRUCTIONS AVANT D'UTILISER L'APPAREIL.**

Toujours débrancher l'appareil après usage et avant toute manipulation ou entretien.

2. Veiller à brancher l'appareil dans une prise électrique correspondant aux spécifications électriques indiquées sur sa plaque signalétique et vérifier que la prise de courant est en bon état.
3. En cas de dommage, le cordon électrique ne doit être remplacé que par le fabricant, un technicien autorisé ou un électricien professionnel.
4. Afin de réduire le risque d'électrocution, ne pas mouiller le cordon d'alimentation, la fiche électrique ou les événements, et ne pas submerger le boîtier dans l'eau ou tout autre liquide.
5. Débrancher l'appareil après utilisation et avant de le nettoyer.
6. Utiliser uniquement les accessoires recommandés par le fabricant.
7. Cet appareil ne devrait pas être utilisé par des personnes atteintes de certains handicaps physiques, mentaux ou sensoriels, ou qui ne disposent pas des connaissances ou de l'expérience nécessaires, à moins qu'une personne responsable de leur sécurité leur en ait expliqué le fonctionnement et les risques, ou bien les encadre. Le nettoyage et l'entretien ne devraient pas être effectués par les personnes mentionnées ci-dessus, à moins qu'elles ne soient encadrées.
8. Ne pas utiliser l'appareil à proximités de flammes nues, de plaques électriques ou de cuisinières.
9. N'appuyer sur le bouton START/PAUSE qu'une fois que le bol et l'agitateur sont en place.
10. Ne pas retirer le bol ni l'agitateur alors que l'appareil est allumé.
11. Ne pas utiliser l'appareil à l'air libre.
12. Ne pas utiliser de poudre à récurer ou d'objets pointus/tranchants pour nettoyer l'appareil.

13. Ne pas garder d'aliments ou de liquides dans la cuve.
14. Cet appareil est à usage commercial.
15. Ne pas introduire les doigts dans la cuve ni dans l'ouverture d'alimentation pendant le fonctionnement.
16. Ne pas mettre l'appareil à l'envers ou l'incliner à un angle supérieur à 45 degrés.
17. Placer l'appareil à une distance d'au moins 3 po. (8 cm) de tout autre objet afin d'assurer la ventilation adéquate du moteur.
18. Ne pas faire fonctionner l'appareil sous ou à l'intérieur d'un placard.
Veiller à débrancher l'appareil avant de le ranger dans un placard. Laisser l'appareil branché pourrait présenter un risque d'incendie, surtout si l'appareil touche les murs du placard ou que la porte du placard touche l'appareil en se refermant.
19. Garder les mains et les ustensiles éloignés de la cuve pendant l'utilisation afin d'éviter tout risque de blessure ou de dommages. **NE PAS INTRODUIRE D'OBJETS OU D'USTENSILES TRANCHANTS DANS LA CUVE !** Cela peut rayer ou endommager l'intérieur de la cuve. Une fois l'appareil éteint, utiliser une spatule en caoutchouc ou en bois uniquement.
20. Ne pas laisser le cordon pendre au bord d'une table ou d'un plan de travail, ni entrer en contact avec des surfaces chaudes.
21. Éviter tout contact avec les éléments en mouvement. Afin d'éviter tout risque de blessure ou de dommage, garder les mains, les cheveux, les vêtements et les ustensiles éloignés de l'appareil pendant l'utilisation.
22. Une fois l'appareil éteint, attendre 5 minutes avant de le rallumer afin d'éviter les dommages au compresseur.
23. Afin d'éviter les risques d'incendie ou de court-circuit, ne pas introduire d'objets en métal ou électriques dans l'appareil.
24. Faire attention de ne pas abîmer la cuve en retirant la glace de celle-ci.
25. Ne pas allumer l'appareil avant d'avoir installé la cuve et le mélangeur.
26. La température initiale des ingrédients devrait être entre 77°F (25°C) et 41°F (-5°C).. Ne pas congeler les ingrédients avant la préparation ; cela risquerait de bloquer le mélangeur et d'affecter le résultat.

GARDER CES INSTRUCTIONS USAGE COMMERCIAL AUTORISÉ

SPÉCIFICATIONS TECHNIQUES

Modèle : WCIC20

Capacité : 1.9 L

Tension : 120 V AC/60 Hz

Consommation : 180 W

Dimensions du produit : 16,7 po. x 12,2 po. x 10.3 po.

Dimensions de l'emballage : 20 po. x 14,57 po. x 12,8 po.

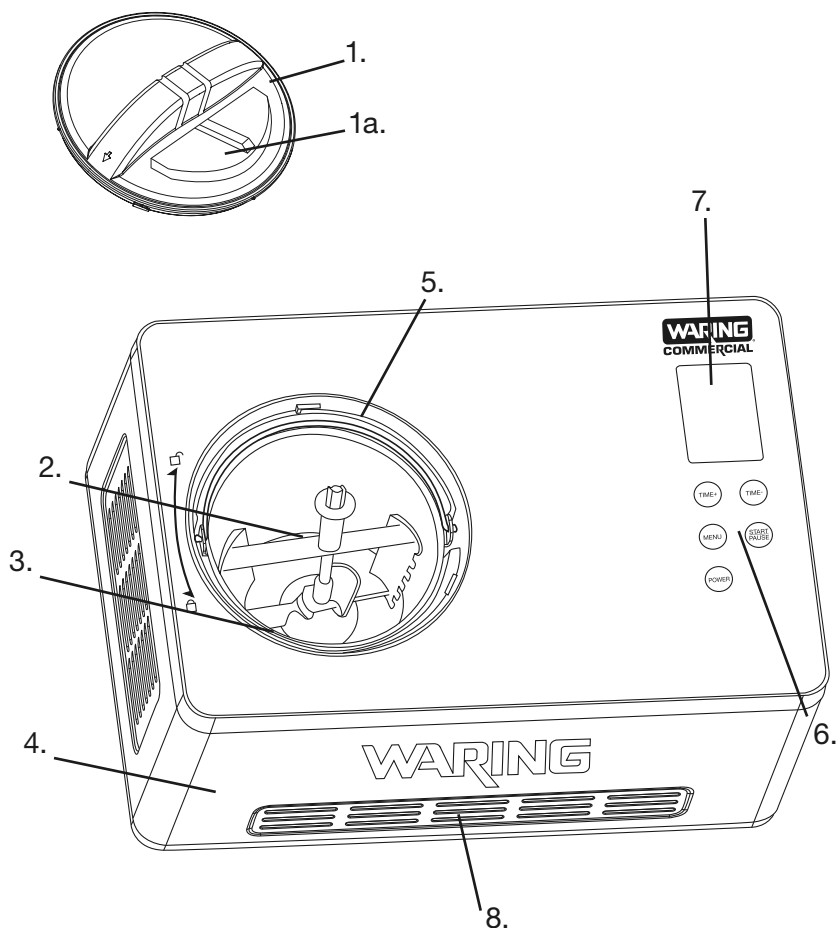
Poids net : 26,5 lb. (12 kg)

Poids brut : 30.5 lb. (13,85 kg)

AVERTISSEMENT :

Ne pas stocker de substances explosives, telles que des bombes aérosol contenant un agent propulseur inflammable, dans cet appareil. Maintenir les ouvertures de ventilation internes et externes libres de toute obstruction. Ne pas utiliser de dispositifs mécaniques ou autres moyens pour accélérer le processus de dégivrage, autres que ceux recommandés par le fabricant. Ne pas endommager le circuit frigorifique. Ne pas utiliser d'appareils électriques à l'intérieur de la cuve, à moins que ceux-ci ne soient recommandés par le fabricant.

PIÈCES ET CARACTÉRISTIQUES



1. Couvercle de la cuve (lavable au lave-vaisselle)
- 1a. Couvercle de l'ouverture d'alimentation (lavable au lave-vaisselle)
2. Mélangeur (lavable au lave-vaisselle)
3. Cuve amovible (lavable à la main uniquement)
4. Boîtier en acier inoxydable
5. Chambre de refroidissement
6. Panneau de contrôle électronique
7. Écran LCD
8. Évents (à l'avant, sur le côté et à l'arrière du boîtier)

PANEAU DE CONTRÔLE ÉLECTRONIQUE

Touche POWER : une fois branché, l'appareil se met automatiquement en mode veille et l'écran affiche "00". Presser la touche POWER mettre l'appareil sous tension.

Touche MENU : permet de choisir entre trois programmes :

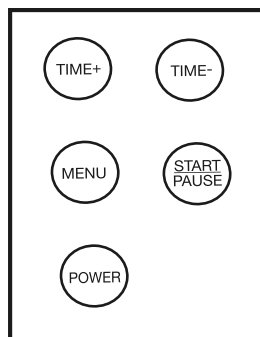
- ICE CREAM (crème glacée), qui mélange et refroidit
- COOLING ONLY (réfrigération), qui refroidit et mélange 2–3 fois par minute
- MIXING ONLY (mélange), qui ne fait que mélanger

REMARQUE : pour changer de programme pendant le cycle de préparation, appuyer sur la touche MENU pendant 3 secondes.

Touche TIME+ : permet d'augmenter le temps en incréments d'une minute. Garder appuyée pour augmenter le temps plus rapidement. La durée maximum est de 60 minutes.

Touche TIME- : permet de diminuer le temps en incréments d'une minute. Garder appuyée pour diminuer le temps plus rapidement. La durée minimum est de 5 minutes.

Touche START/PAUSE : commence le cycle de préparation une fois le programme choisi et le temps programmé. Permet également d'arrêter l'appareil et la minuterie. Remarque : toutes les touches sont opérationnelles pendant le fonctionnement, sauf la touche MENU. Pour accéder au menu une fois le cycle de préparation commencé, il vous faudra éteindre et rallumer l'appareil (en appuyant deux fois de suite sur la touche POWER), puis appuyer sur la touche MENU.



ICÔNES



Cet icône indique que le mélange est en cours.



Cet icône indique que la réfrigération est en cours.

Remarque : toutes les touches sont opérationnelles pendant le fonctionnement, sauf la touche MENU. Pour accéder au menu une fois le cycle de préparation commencé, il vous faudra éteindre, puis rallumer l'appareil (en appuyant encore une fois sur la touche POWER), et appuyer sur la touche MENU.

AVANT LA PREMIÈRE UTILISATION

Laver et désinfecter la cuve, le mélangeur et les couvercles (voir la section “Nettoyage et désinfection”).

Avertissement : veiller à débrancher l'appareil avant de le nettoyer.

Important : laisser l'appareil sur une surface plate et stable pendant 24 heures avant de le brancher afin d'assurer le bon fonctionnement du compresseur.

FONCTIONNEMENT DE BASE

Remarque : une fois que la crème glacée, le sorbet ou le gelato aura atteint sa consistance finale, le mélangeur s'arrêtera automatiquement de tourner mais le cycle de refroidissement continuera jusqu'à la fin du temps programmé.

1. Brancher l'appareil dans une prise de courant. “00” clignotera sur l'écran, ce qui signifie que l'appareil est en mode veille.
2. Appuyer sur la touche POWER. Les trois programmes apparaîtront sur l'écran.
3. Appuyer sur la touche MENU pour choisir le programme voulu : ICE CREAM (crème glacée), COOLING ONLY (réfrigération) ou MIXING ONLY (mélange). La durée par défaut du programme et l'icône correspondant apparaîtront sur l'écran.
4. Appuyer sur la touche TIME+ ou TIME- pour augmenter/diminuer le temps au besoin.

À la fin du cycle de préparation, “00:00” apparaîtra sur l'écran et l'appareil sonnera trois fois.

Au bout de 10 minutes sans activité, l'appareil se mettra automatiquement en mode refroidissement pour préserver la consistance de la crème glacée. Lorsque l'appareil est en mode de refroidissement, aucune touche n'est opérationnelle, sauf la touche POWER. Après 10 minutes de plus sans activité, l'appareil se mettra en mode veille et l'écran affichera “00”.

Pour une consistance optimale, réfrigérer le mélange pendant 2 heures ou plus (jusqu'à 3 jours) avant la préparation. Toujours fouetter le mélange avant la préparation. Remarque : réfrigérer le mélange avant la préparation n'est pas obligatoire, mais cela lie les ingrédients, ce qui évite que des cristaux de glace ou de graisse ne se forment pendant la préparation.

Si vous souhaitez que la glace ait une consistance plus ferme, la transvaser dans un récipient hermétique et la congeler pendant environ 2 heures. La sortir du congélateur environ 15 minutes avant de servir.

Protection anti-surchauffe

L'appareil est équipé d'un dispositif de protection anti-surchauffe qui arrête automatiquement le moteur si sa température atteint 115°C (239°F). L'appareil se réinitialisera automatiquement une fois la température du moteur descendue en dessous de 115°C (239°F) ; il n'est pas nécessaire de le débrancher.

FONCTION DE PROTECTION DU COMPRESSEUR

Après avoir arrêté ou éteint le mode “réfrigération”, le compresseur marquera une pause de 3 minutes avant de se remettre en marche. L'icône du mode “réfrigération” restera sur l'écran, mais le compresseur ne commencera pas le refroidissement avant la fin de la pause. Cette pause protège le compresseur des dommages et assure un rendement optimal.

Capacité maximale

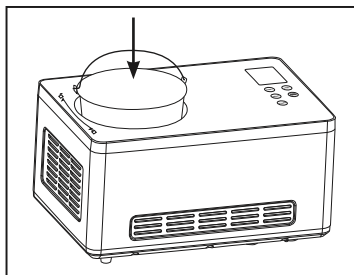
Afin d'éviter les débordements, ne pas remplir la cuve plus d'un quart de pouce (0.5 cm) au-delà du haut du mélangeur. Les ingrédients se dilatent pendant la préparation ; le volume final varie suivant les recettes.

Différences entre les programmes

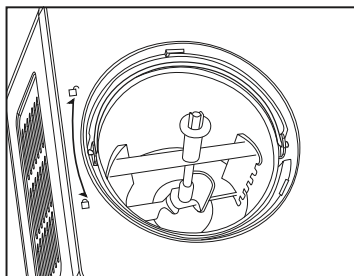
1. **ICE CREAM (crème glacée)** : la durée par défaut du cycle de préparation est de 45 minutes. Les modes “mélange” et “réfrigération” sont tous les deux activés.
2. **COOLING ONLY (réfrigération)** : la durée par défaut du cycle de préparation est de 30 minutes. Le mode “réfrigération” est activé et le mode “mélange” s'active par intermittence, à intervalle de 2–3 fois/minute.
3. **MIXING ONLY (mélange)** : la durée par défaut du cycle de préparation est de 10 minutes. Seul le mode “mélange” est activé.

MODE D'EMPLOI

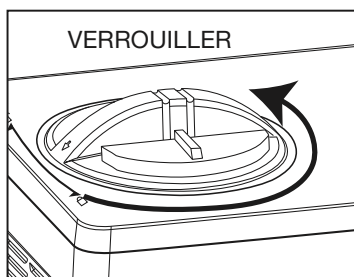
Étape 1. Préparer les ingrédients de la recette. Remarque : il n'est pas nécessaire de congeler la cuve amovible. L'appareil est équipé d'un COMPRESSEUR INTÉGRÉ qui congèle les ingrédients.



Étape 2. Placer la cuve amovible dans la chambre de refroidissement, en appuyant fermement.



Étape 3. Installer le mélangeur dans la cuve, en vous assurant de l'introduire sur l'axe du moteur.



Étape 4. Verser les ingrédients dans la cuve amovible, en veillant à ne pas remplir cette-dernière plus d'un quart de pouce (0.5 cm) au-delà du haut du mélangeur. Fermer le couvercle et tourner dans le sens inverse des aiguilles d'une montre pour bloquer.

Étape 5. Appuyer sur la touche **POWER** pour mettre l'appareil sous tension.

Étape 6. Appuyer sur la touche **MENU** et choisir le programme voulu.

Étape 7. Appuyer sur la touche **TIME+** ou **TIME-** pour modifier le temps si désiré.

Étape 8. Appuyer sur la touche **START/PAUSE** pour mettre l'appareil en marche.

Étape 9. Pour ajouter des ingrédients pendant la préparation, retirer le couvercle de l'ouverture d'alimentation ; le refermer aussitôt terminé.

Étape 10. À la fin du cycle de préparation, l'appareil sonnera. Appuyer sur la touche POWER pour éteindre, ouvrir le couvercle et retirer la cuve amovible.

Étape 11. Retirer le mélangeur de la cuve, vider la glace à l'aide d'une cuillère/spatule en plastique ou en bois et la conserver dans un autre récipient. Ne pas utiliser d'ustensiles en métal ; cela pourrait rayer la cuve.

Étape 12. Si vous souhaitez que la glace ait une consistance plus ferme, la transvaser dans un récipient hermétique et la congeler pendant environ 2 heures. La sortir du congélateur environ 15 minutes avant de servir.

NETTOYAGE ET DÉSINFECTION

ATTENTION : AFIN D'ÉVITER LES RISQUES D'ÉLECTROCUTION, TOUJOURS DÉBRANCHER L'APPAREIL AVANT DE LE NETTOYER/ DÉSINFECTER.

NETTOYAGE ET DÉSINFECTION DE LA CUVE AMOVIBLE, DU MÉLANGEUR ET DES COUVERCLES

Laver et désinfecter la cuve amovible, le mélangeur et les couvercles avant la première utilisation et après chaque utilisation, à moins que vous ne réutilisez l'appareil dans l'heure qui suit. Le non-respect de ces instructions peut entraîner une accumulation de résidus sur le mécanisme d'entraînement, nuisant à son bon fonctionnement.

REMARQUE : le nettoyage régulier de la cuve amovible augmentera la durée de vie du mécanisme d'entraînement.

LAVAGE

Utiliser uniquement des détergents en poudre peu moussant spécialement formulés pour laver la vaisselle et les ustensiles de cuisine (disponibles auprès des fournisseurs de restaurants et autres établissements de cuisine). Suivre les consignes du fabricant.

1. Retirer les couvercles, la cuve amovible et le mélangeur de l'appareil.
2. Laver la cuve à la main. Ne pas mettre la cuve amovible au lave-vaisselle.

3. Laver les couvercles et le mélangeur à la main ou au lave-vaisselle. Nettoyer l'orifice en bas du mélangeur à l'aide d'une brosse avant de le mettre au lave-vaisselle.
4. Si nécessaire, éliminer les résidus tenaces à la brosse et laisser tremper avant de laver.

Toute autre opération d'entretien ou de réparation doit être effectuée par un service après-vente autorisé.

RINÇAGE

Rincer à l'eau uniquement.

DÉSINFECTION

Utiliser de l'eau de javel ordinaire, diluée dans de l'eau entre 50°F (10°C) et 120°F (50°C). La proportion exacte d'eau/eau de javel dépendra de la concentration d'hypochlorite dans l'eau de javel.

Proportions pour les produits les plus courants :

- 5.25 % d'hypochlorite : 3 c. à thé (15 ml) d'eau de javel par gallon (3.8 L) d'eau.
- 8.25 % d'hypochlorite : 2 c. à thé (10 ml) d'eau de javel par gallon (3.8 L) d'eau.

1. Imprégner un linge doux ou une éponge de solution désinfectante.
2. Essuyer l'intérieur et l'extérieur des couvercles, de la cuve amovible et du mélangeur.
3. Mettre la cuve amovible dans la chambre de refroidissement, installer le mélangeur et remplir la cuve de solution désinfectante jusqu'au-dessus du mélangeur. Fermer le couvercle et faire fonctionner l'appareil en mode MIXING ONLY pendant 2 minutes. Vider la cuve amovible.
4. Plonger les couvercles dans la solution désinfectante pendant 2 minutes.

SÉCHAGE

Ne pas rincer les pièces après les avoir désinfectées. Égoutter les pièces et les laisser sécher à l'air libre.

NETTOYAGE ET DÉSINFECTATION DU BOÎTIER ET DE LA CHAMBRE DE REFROIDISSEMENT

Nettoyer et désinfecter le boîtier et la chambre de refroidissement avant la première utilisation et après chaque utilisation. Retirer le couvercle de ventilation arrière.

1. Nettoyage : essuyer l'extérieur du boîtier et l'intérieur de la chambre de refroidissement à l'aide d'un linge humide. Retirer les grilles de ventilation et nettoyer en dessous si nécessaire.
2. Désinfection : essuyer l'extérieur du boîtier et l'intérieur de la chambre de refroidissement à l'aide d'un linge doux ou d'une éponge imprégnée de solution désinfectante* (essorer le linge/ l'éponge afin d'éviter que le liquide ne pénètre dans les événements). **NE PAS SUBMERGER LE BOÎTIER DANS LA SOLUTION DE NETTOYAGE, L'EAU OU LA SOLUTION DÉSINFECTANTE.**
3. Laisser sécher à l'air libre.
4. Remettre le couvercle de ventilation arrière.

*N'utiliser que les solutions désinfectantes recommandées ci-dessus.

GARANTIE LIMITÉE D'UN AN

Waring garantit tout nouvel appareil Waring® Commercial contre tout vice de matière ou de fabrication pendant une période d'un an suivant sa date d'achat, à condition qu'il ait été utilisé uniquement avec des produits alimentaires, des liquides non-abrasifs (autres que des détergents) et des semi-liquides non-abrasifs, à condition que l'appareil n'ait pas été soumis à des charges excédant sa capacité maximale. Le moteur de l'appareil est sous garantie totale pendant une période de trois ans. Au titre de cette garantie, la division Waring Commercial réparera ou remplacera toute pièce nous paraissant afficher un vice de matière ou de fabrication. Pour un service au titre de cette garantie, envoyez l'appareil, port payé, à : 314 Ella T. Grasso Ave., Torrington, CT 06790 ou à n'importe quel centre de réparation agréé.

Cette garantie a) n'est pas valable si l'appareil est endommagé, cassé, détérioré ou s'il affiche un vice ou défaut résultant de l'utilisation, de l'entretien ou de la réparation par des personnes non autorisées, ou consécutif à l'usage abusif ou inapproprié, à la surcharge ou à la modification de l'appareil ; b) ne couvre aucun dommage accessoire ou indirect.

Cette garantie d'un an n'est valable que sur les appareils utilisés aux États-Unis et au Canada et abroge toute autre garantie formelle ou tout autre accord de garantie. La garantie des produits Waring vendus en dehors des États-Unis et du Canada est à la charge de l'importateur ou du distributeur local. Les droits de garantie peuvent varier d'un pays ou d'une région à l'autre. Avertissement : Brancher cet appareil sur courant continu (C.C./DC) annulera la garantie.

SERVICE APRÈS-VENTE :

Afin de faire réparer ou de remplacer cet appareil aux États-Unis ou au Canada, contactez :

Waring Service Center
P.O. Box 3201
314 Ella T. Grasso Ave.
Torrington, CT 06790

Tel. : 1-800-492-7464 • Fax : (860) 496-9017

Les pièces détachées pour réparations "hors garantie" sont également disponibles à l'adresse ci-dessus.

Trademarks or service marks of third parties used herein are the trademarks or service marks of their respective owners.

Todas las marcas registradas, comerciales o de servicio mencionadas en este documento pertenecen a sus titulares respectivos.

Toutes les marques déposées, commerciales ou de service ci-inclues appartiennent à leurs propriétaires respectifs.

©2016 Waring Commercial
314 Ella T. Grasso Ave.
Torrington, CT 06790

www.waringcommercialproducts.com

Printed in China
Impreso en China
Imprimé en Chine
WCIC20 IB
16WC020325

IB-13430