



BEVERAGE-AIR

| | |
|-----------------|------------|
| Project: _____ | AIA# _____ |
| Item: _____ | SIS# _____ |
| Location: _____ | |
| Approved: _____ | |

WTR41AHC SIDE MOUNT WORKTOP REFRIGERATOR

SIDE MOUNT WORKTOP WTR41AHC Solid Door Refrigerator Hydrocarbon Series

MODEL:
WTR41AHC



3 Year Parts/Labor Warranty
Additional 4 Year Compressor Warranty

CABINET CONSTRUCTION

- Stainless steel front, sides, door and grille (galvanized back & bottom)
- Interior liner is made of corrosion resistant aluminum
- Stainless steel top for added durability
- Full electronic control
- Interior thermometer
- 4" Integrated backsplash
- Self-closing door with 120° stay-open feature
- Magnetic gasket attached to each door for positive seal
- 6" Casters, two (2) with brakes standard
- Two (2) epoxy-coated steel wire shelves
- Field-reversible door

OPTIONS & ACCESSORIES

- Stainless steel back
- Stainless steel interior
- 16 Gauge stainless steel top
- Additional shelves
- Shelf clips
- Right or left hinged door
- Door lock
- Wire shelf divider
- 3" Casters
- 6" Legs (stainless steel, black or seismic/flange)
- Low profile casters
- Roller kit
- 4" Foamed-in-place backsplash (-FIP)
- Flat-top with no backsplash (-FLT)
- Remote option* (see note on back on page)

REFRIGERATION SYSTEM

- Uses environmentally friendly, energy efficient R290 refrigerant, and meets all regulatory requirements for CARB, SNAP, DOE & more
- Adaptive defrost
- Epoxy coated evaporator coil
- Refrigerators capable of maintaining product temperature between 36°F and 38°F



Please verify qualifying units by visiting:
www.energystar.gov/cfs

3779 Champion Blvd., Winston-Salem, NC 27105
1-888-845-9800 Fax: 1-336-245-6453
Beverage-Air.com Sales@bevair.com



BEVERAGE-AIR

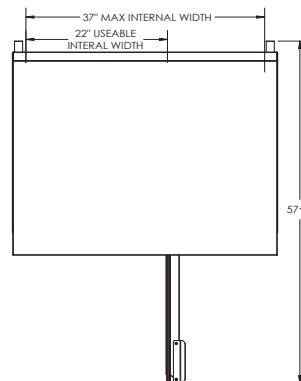
| MODEL | WTR41AHC |
|------------------------------------|-------------------|
| EXTERNAL DIMENSIONAL DATA | |
| Width Overall | 41" |
| Depth Overall with Handle & Bumper | 35 3/4" |
| Height Overall with 6" Casters | 39 1/2" |
| Number of Doors | 1 |
| Depth with Door Open 90° | 57 1/8" |
| Door Opening | 21 5/8" x 23 1/2" |
| INTERNAL DIMENSIONAL DATA | |
| NET Capacity (cubic ft.) | 7.94 |
| Internal Width Overall (in) | 37" |
| Internal Depth Overall (in) | 26" |
| Internal Height Overall (in) | 25" |
| Number of Shelves | 2 |
| ELECTRICAL DATA | |
| Full Load Amperes | 2.0 |
| REFRIGERATION DATA | |
| Horsepower | 1/6 |
| Capacity (BTU/Hr) | 1350 |
| Heat Rejection (BTU/Hr) | 2025 |
| Charge (lbs/grams) | 0.243/110 |
| SHIPPING DATA | |
| Gross Weight - Crated | 290 lbs |
| Height - Crated | 44" |
| Width - Crated | 44" |
| Depth - Crated | 35" |

*NOTE: Remote units are field wired and come with 6" legs.
Refrigerant must be specified at time of order.

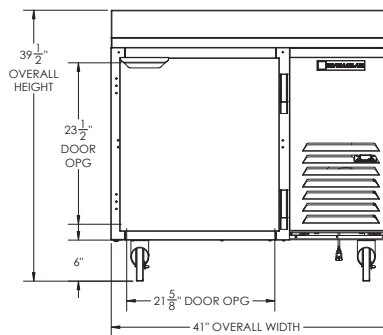
Worktop Refrigerator - Side Mount Model: WTR41AHC

Model Views

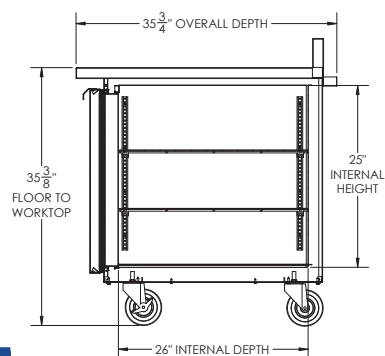
Required Clearance: 3 3/16" bottom & 2" rear



PLAN VIEW



ELEVATION VIEW



SIDE VIEW

ELECTRICAL CONNECTION



115/60/1
NEMA 5-15P

Unit pre-wired at
factory and include 8'
long cord and plug set.



3779 Champion Blvd., Winston-Salem, NC 27105 1-888-845-9800 Fax: 1-336-245-6453 Beverage-Air.com Sales@bevoir.com

an Ali Group Company



The Spirit of Excellence