

EQUIPMENT STAND FOR IBEX OVEN



Stackable Cart *IBEXASK1*



Workstation Cart *IBEXAWS1 (Cart) + IBEXAPSKIT1 (Storage)*

MODELS

- IBEXASK1** Stackable Cart
- IBEXAWS1 + IBEXAPSKIT1** Workstation Cart
Tray Storage for Workstation Cart

STANDARD FEATURES

- Stainless steel construction
- (4) 360° swivel wheels
- Brushed aluminum handles

IBEXASK1 Stackable Cart:

- Accommodates 2 IBEX Ovens, vertically oriented

IBEXAWS1+IBEXAPSKIT1 Workstation Cart:

- Accommodates 1 IBEX Oven
- (12) shelf pan storage + 2 accessory storage compartments
- Removable shelves for cleaning and operational flexibility

EQUIPMENT STAND FOR IBEX OVEN

SPECIFIER STATEMENT

Constructed of stainless steel for strength and corrosion resistance, both carts are easily movable anywhere with (4) 360° swivel wheels and ergonomic, brushed aluminum handles. IBEX Model IBEXASK1 (workstation cart) accommodates 2 IBEX Ovens vertically oriented. IBEX Model IBEXAWS1 (stackable cart) + IBEXAPSKIT1 accommodates 1 IBEX Oven and tray storage for production.

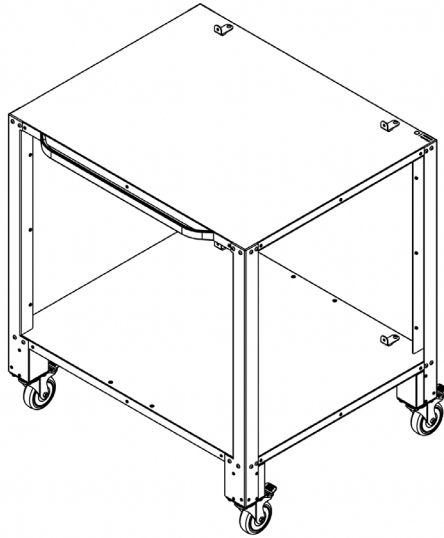
Overall Dimensions:

Stackable Cart: 35.6" W x 30.4" D x 39.9" H
 Workstation Cart: 35.6" W x 30.4" D x 35.6" H

Approved by _____ Date _____ Approved by _____ Date _____

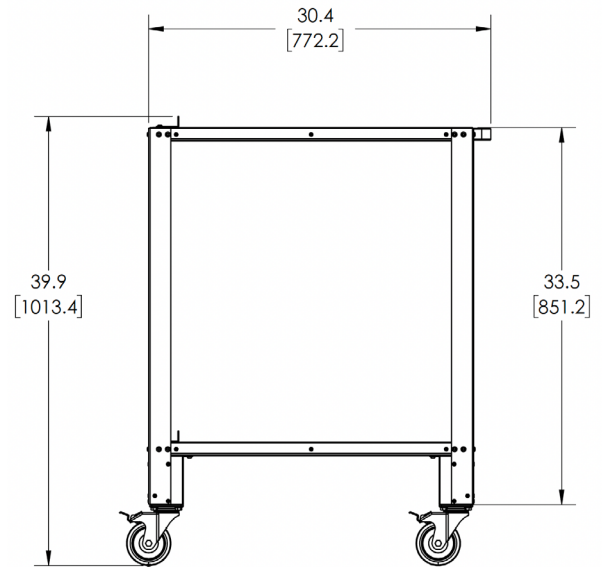
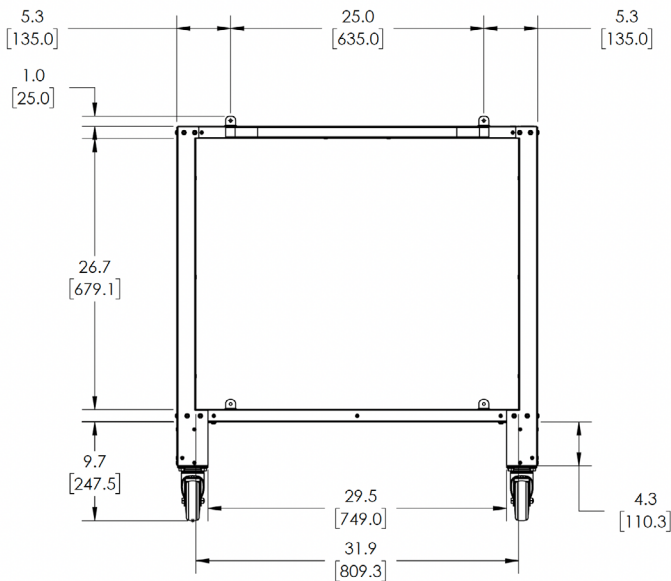
DETAILS

STACKABLE CART — IBEXASK1



WALL CLEARANCE

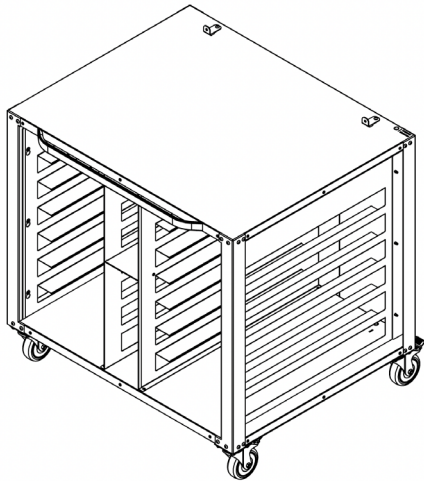
Rear 2" (51mm)



Location	Width	Depth	Height	Weight	
				without crate	with box
STACKABLE CART IBEXASK1	35.6" [904 mm]	30.4" with handle 28.9" without handle [772/734 mm]	39.9" with brackets 38.9" without brackets [988/1013 mm]	77.5 lbs [35 kg]	82.5 lbs [37 kg]
Bottom Shelf	31.9" [810 mm]	28.9" [729 mm]	26.7" [678mm]	Cart parts packaged in one cardboard box; 36"L x 30"W x 10"H	

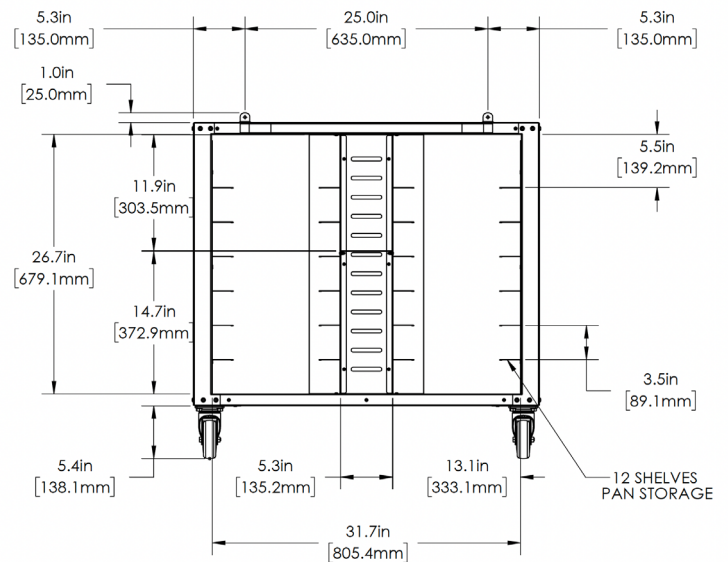
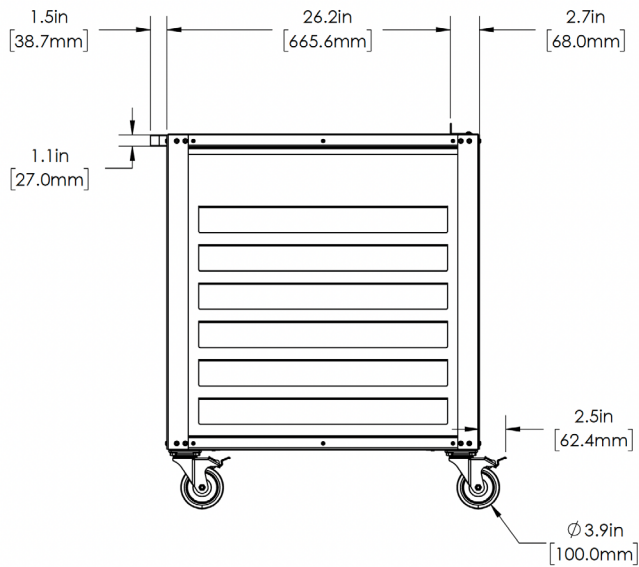
DETAILS

WORKSTATION CART — IBEXAPSKIT1 + IBEXAWS1



WALL CLEARANCE

Rear 2" (51mm)



Location	Width	Depth	Height	Weight	
				without crate	with box
WORKSTATION CART IBEXAWS1	35.6" [904 mm]	30.4" with handle 28.9" without handle [772/734 mm]	35.6" with brackets 34.6" without brackets [904/878mm]	117 lbs [53 kg]	127 lbs [58 kg]
Pan Storage (left and right)	13.1" [333 mm]	28.9" [734 mm]	26.7" [678mm]	Cart parts packaged in two cardboard boxes; 36" L x 30" W x 10" H and 30" L x 30" W x 7" H	
Accessory Storage (center)	5.3" [333 mm]	28.9" [734 mm]	11.9" (top) 14.7" (bottom) [302/373mm]		

As continued product improvement is a policy of IBEX, specifications are subject to change without notice.

