



DONE TO PERFECTION.

INSTALLATION & OPERATIONAL MANUAL

English and French



1GR45M Shown

GRM SERIES GAS FRYERS

MODELS:

1GR35M
1GR45M
1GR65M
1GR85M

ML-136407
ML-136408
ML-136409
ML-136410

For additional information on Vulcan-Hart or to locate an authorized parts and service provider in your area, visit our website at www.vulcanequipment.com

IMPORTANT FOR YOUR SAFETY

THIS MANUAL HAS BEEN PREPARED FOR PERSONNEL QUALIFIED TO INSTALL GAS EQUIPMENT, WHO SHOULD PERFORM THE INITIAL FIELD START-UP AND ADJUSTMENTS OF THE EQUIPMENT COVERED BY THIS MANUAL.

POST IN A PROMINENT LOCATION THE INSTRUCTIONS TO BE FOLLOWED IN THE EVENT THE SMELL OF GAS IS DETECTED. THIS INFORMATION CAN BE OBTAINED FROM THE LOCAL GAS SUPPLIER.

IMPORTANT

IN THE EVENT A GAS ODOR IS DETECTED, SHUT DOWN UNITS AT THE MAIN SHUTOFF VALVE AND CONTACT THE LOCAL GAS COMPANY OR GAS SUPPLIER FOR SERVICE.

FOR YOUR SAFETY

DO NOT STORE OR USE GASOLINE OR OTHER FLAMMABLE VAPORS OR LIQUIDS IN THE VICINITY OF THIS OR ANY OTHER APPLIANCE.

WARNING

**Improper installation, adjustment, alteration, service or maintenance can cause property damage, injury or death.
Read the installation, operating and maintenance instructions thoroughly before installing or servicing this equipment.**

TABLE OF CONTENTS

IMPORTANT FOR YOUR SAFETY.....	2
INTRODUCTION.....	4
GENERAL.....	4
ORDERING PARTS.....	4
FRYER CAPACITIES.....	4
UNPACKING.....	4
INSTALLATION.....	5
Clearances.....	5
Location.....	6
CODES AND STANDARDS.....	6
ASSEMBLY.....	7
FLUE CONNECTION.....	7
GAS CONNECTION.....	8
Quick-Disconnect for Units on Casters.....	8
GAS PRESSURE.....	8
TEST GAS SUPPLY.....	8
FRYERS WITH CASTERS.....	8
LEVELING THE FRYER.....	9
OPERATION.....	9
OVER-TEMPERATURE SHUTDOWN.....	10
BEFORE FIRST USE.....	10
Cleaning.....	10
FILLING TANK WITH SHORTENING.....	10
LIGHTING THE PILOT.....	11
TURNING ON THE FRYER.....	12
TURNING OFF THE FRYER.....	12
EXTENDED SHUTDOWN.....	12
BASIC FRYING INSTRUCTIONS.....	12
Fry Basket Guidelines.....	13
EXTENDED SHORTENING LIFE.....	13
DRAINING THE TANK.....	14
DAILY FILTERING-ALL MODELS.....	14
CLEANING.....	15
Daily.....	15
BOIL OUT PROCEDURE.....	15
MAINTENANCE.....	15
FLUE VENT INSPECTION.....	15
Service in the US and Canada.....	15
TROUBLESHOOTING.....	16
Troubleshooting Chart.....	16
WARRANTY.....	17

INTRODUCTION

GENERAL

Vulcan Fryers are produced with quality workmanship and material. Proper installation, usage and maintenance will result in years of satisfactory performance.

Before installing the fryer, thoroughly read this manual and carefully follow all instructions.

This manual is applicable to model listed on the cover page. Procedures in this manual will apply to all models unless specified. Pictures and illustrations can be of any model unless the picture or illustration needs to be model specific.

ORDERING PARTS

Customers may order parts directly from their local authorized service center. If not known, call Vulcan Customer Service at 800-814-7028.

To speed up your order, provide the model number, serial number, gas type, part needed, item part number (if known) and quantity needed.

FRYER CAPACITY				
MODEL	# of Heat Tubes Each Fry Tank	BTU / Hour Each Fry Tank	Width Inch (cm) Total System	Shortening lbs. (kg) Each Fry Tank
1GR35M	3	90,000	15.5" (39)	35-40 (16-18)
1GR45M	4	120,000	15.5" (39)	45-50 (21-23)
1GR65M	5	150,000	21.0" (53)	65-70 (29-32)
1GR85M	5	150,000	21.0" (53)	85-90 (39-41)

UNPACKING

This fryer was inspected before leaving the factory. The carrier assumes full responsibility for the safe delivery upon acceptance of the shipment. Check for possible shipping damage immediately after receipt.

If the fryer is found to be damaged, complete the following steps:

1. Carrier must be notified within 5 business days of receipt.
2. Carrier's local terminal must be notified immediately upon discovery (note time, date, and who was spoken to), and follow up and confirm with written or electronic communication.
3. All original packing materials must be kept for inspection purposes.
4. The fryer cannot have been moved, installed, or modified.
5. Notify Vulcan Customer Service immediately at 800-814-2028.

Check that the following have been included:

- ◆ Crumb Rack
- ◆ Basket Hanger
- ◆ Twin Fry Baskets (2)
- ◆ Tank Brush

GRM SERIES GAS FRYERS

- ◆ Adjustable Casters (4) two locking, two non-locking for freestanding fryers.
- ◆ Drain Pipe Extension for freestanding fryers only.
- ◆ Twin Fry Basket (2) per fry tank.
- ◆ Cleanout Rod
- ◆ Crumb Scoop
- ◆ Manual and Warranty – Retain for future reference.
- ◆

INSTALLATION

Do not use the door or its handle to lift the fryer.

Before installing the fryer, verify that the type of gas (natural or propane) agrees with the specifications on the fryer data plate, which is located on the inside of the door panel. Make sure the fryer is configured for the proper elevation.

Record your fryer model, device, and serial numbers for future reference in the space provided below. This information can be found on the fryer data plate.

Fryer Model No: _____

Device: _____

Serial No: _____

Clearances

- ◆ Minimum clearance from combustible construction:
 - 6" (15 cm) from the sides of the fryer
 - 6" (15 cm) from the back of the fryer
 - The fryer may be installed on combustible floors
- ◆ Minimum clearance from noncombustible construction:
 - 0" from the sides of the fryer
 - 0" from the back of the fryer
- ◆ Between the fryer and any open-top flame units: 16" (41 cm)
- ◆ Allow space for servicing and operation.

Location

- ◆ Install fryer in an area with sufficient air supply for gas combustion at fryer burners.
- ◆ Do not obstruct the flow of combustion and ventilation air.
- ◆ Provide adequate clearance for air openings into the combustion chamber.
- ◆ Do not permit fans to blow directly onto fryer.

GRM SERIES GAS FRYERS

- ◆ Avoid wall-type fans, which create cross-currents within a room. Avoid open windows next to sides or back.

CODES AND STANDARDS

The fryer must be installed in accordance with:

In the United States:

- ◆ State and local codes, or in the absence of local codes, with:
- ◆ National Fuel Gas Code, ANSI-Z223.1/NFPA #54 (latest edition). Copies may be obtained from The American Gas Association Accredited Standards Committee Z223, @ 400 N. Capital St. NW, Washington, DC 20001 or the Secretary Standards Council, NFPA, 1 Batterymarch Park Quincy, MA 02169-7471.
- ◆ NFPA Standard #96 Vapor Removal from Cooking Equipment, latest edition, available from the National Fire Protection Association, Batterymarch Park, Quincy, MA.
- ◆ National Electrical Code, ANSI/NFPA-70 (latest edition). Copies may be obtained from The National Fire Protection Association, Batterymarch Park, Quincy, MA. 02169-7471.
- ◆ In the commonwealth of Massachusetts all gas appliances vented through a ventilation hood or exhaust system with a damper or with a power means of exhaust shall comply with 248 CMR.

In Canada:

- ◆ Local codes
- ◆ CAN/CSA-B149.1 Natural Gas and Propane Installation Code (latest edition), available from the Canadian Standards Association, 155 Queen Street, Suite 1300, Ottawa, Ontario Canada K1P 6L1.
- ◆ CSA C22.1 Canadian Electric Code (latest edition), available from the Canadian Standards Association, 155 Queen Street, Suite 1300, Ottawa, Ontario Canada K1P 6L1.

ASSEMBLY

The fryer must be restrained to prevent tipping and the splashing of hot liquid. The means of restraint may be the manner of installation, such as connection to a battery of appliances, installing the fryer in an alcove, or by separate means such as adequate ties.

FLUE CONNECTION

Make the flue connection as follows:

- ◆ Comply with *Vapor Removal from Cooking Equipment*, ANSI-NFPA Standard #96 (latest edition), available from the National Fire Protection Association, Batterymarch Park, Quincy, MA 02269.

- ◆ Locate the fryer under a hood with adequate connection to an exhaust duct. The hood must extend 6" (15 cm) beyond fryer on both sides.
- ◆ Clearance above the fryer should be adequate for combustion byproducts to be removed efficiently.
- ◆ An 18" (46 cm) minimum clearance should be maintained between the flue vent and the filters of the hood venting system.
- ◆ Never make flue connections directly to the fryer.
- ◆ Do not obstruct the flow of the gases from the appliance. Proper air balance should be maintained in the room.
- ◆ Ensure that your ventilation system does not cause a down draft at the fryer's flue opening. Down draft will not allow the fryer to exhaust properly and will cause overheating which may cause permanent damage. Damage caused by down draft will not be covered under equipment warranty. Never allow anything to obstruct the flue or ventilation exiting from the fryer flue. Do not put anything on top of flue area.

GAS CONNECTION

⚠ WARNING All gas supply connections and any pipe joint compound must be resistant to the action of propane gases.

The gas inlet is located on the lower rear of the fryer. Codes require that a gas shutoff valve be installed in the gas line ahead of the fryer.

The gas supply line must be at least the equivalent of ½" (12.7 mm) iron pipe. If using the optional quick-disconnect flex hose, ¾" (19 mm) iron pipe.

Make sure the pipes are clean and free of obstructions, dirt, and piping compound. A battery requires one or two connections of appropriate size for the gas requirement.

⚠ WARNING Prior to lighting, check all joints in the gas supply line for leaks. Use soap and water solution. Do not use an open flame.

After piping has been checked for leaks, fully purge gas pipes to remove air.

GAS PRESSURES (ALL MODELS):

The gas pressure should be set at 4" W.C. (Water Column) (0.8 kPa) for natural gas and 10" W.C. (2.75 kPa) for propane gas. If incoming pressure exceeds ½ PSI (3.45 kPa), an additional pressure regulator must be installed.

TESTING THE GAS SUPPLY PIPING SYSTEM:

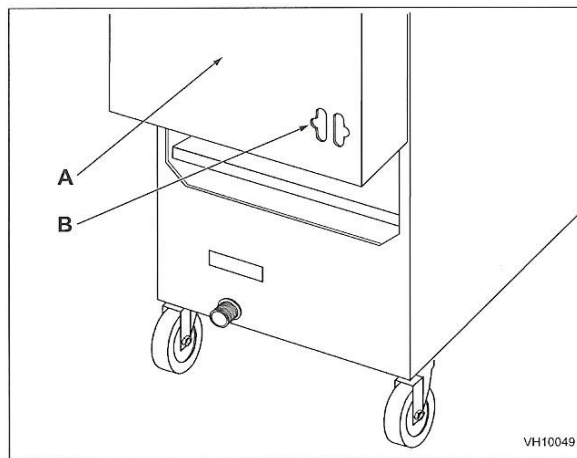
When test pressures exceed ½ PSI (3.45 kPa), the fryer and its individual shutoff valve must be disconnected from the gas supply piping system.

When test pressures are ½ PSI (3.45 kPa) or less, the fryer must be isolated from the gas supply piping system by closing its individual shutoff valve.

Fryers with Casters:

Separate instructions for installing casters are included with the casters:

- ◆ The installation shall be made with a connector that complies with the Standard for Connectors for Movable Gas Appliances, ANSI Z21.69, CAN/CGA-6.16, and a quick-disconnect device that complies with the Standard for Quick-Disconnect Devices for Use with Gas Fuel, ANSI z21.41 CSA 6.9 or Quick-Disconnect Devices for Use with Gas Fuel,
- ◆ When installing a quick disconnect you must also install a means for limiting the movement of the fryer. This device will prevent the gas line or quick disconnect from being strained. The restraining device should be attached to the cutout on the back panel. See illustration for location.



A Rear of Fryer
B Strain Relief Chain Connection
(Chain supplied by others)

- ◆ The fryer must be installed with a connector (not supplied by Vulcan) complying with the above codes.
- ◆ The fryer must be installed with restraining means to guard against transmission of strain to the connector. See illustration.
- ◆ The fryer must be installed with the casters provided.

- ◆ If the restraint is ever to be disconnected, first turn the gas supply off. If disconnection of the restraint is necessary, to reconnect this restraint after the fryer has been returned to its originally installed position.

LEVELING THE FRYER

Check the level of the fryer by placing a level on top of the fryer after gas connections have been made.

Ensure that the fryer is level front-to-back and side-to-side in the final installed position.

Lock the wheels after unit is level.

OPERATION

▲ WARNING Hot oil and parts can cause burns. Use care when operating, cleaning and servicing the fryer.

▲ WARNING Spilling hot frying compound can cause severe burns. Do not move fryer without draining all frying compound from the tank.

▲ WARNING Fryer is not to be used during a power outage

OVER-TEMPERATURE SHUTDOWN

If the shortening becomes overheated, a high-temperature shutoff device will turn the gas valve off and extinguish the pilot.

If the fryer shuts down due to overheating, DO NOT relight the pilot until the shortening temperature is below 300 F (149 C).

If an overheating situation persists, contact your local Vulcan-Hart authorized service office.

BEFORE FIRST USE

Cleaning

New units are wiped down at the factory to remove any visible signs of dirt, oil, grease, etc. remaining from the manufacturing process.

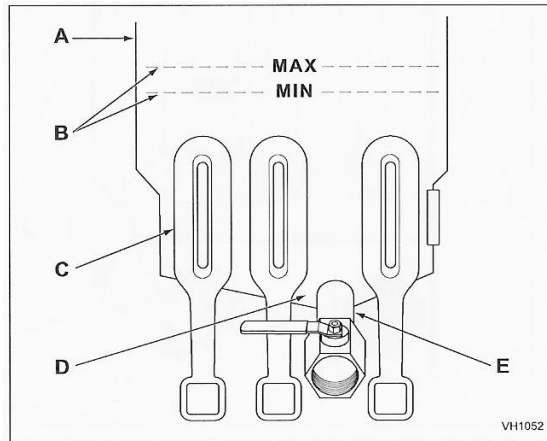
Before any food preparation, thoroughly wash the protective oil from all surface parts and the tank interior with hot soapy water to remove any film residue and dust or debris.

NOTICE Do not use chlorine or sulfate/sulfide cleaners.

- ◆ Wash any accessories shipped with unit.
- ◆ Rinse fryer and accessories thoroughly and drain the fryer.
- ◆ Wipe tank completely dry with a soft, clean cloth.

FILLING TANK WITH SHORTENING

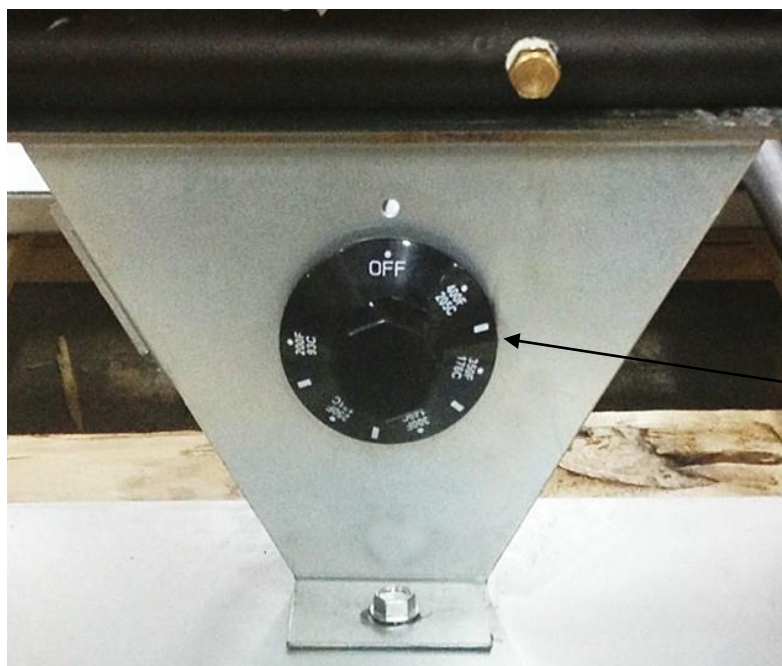
NOTICE Solid shortening must NOT be used with GRM fryers. Melting solid shortening will damage the tank and void your warranty.



- A Fryer Tank
- B MIN and MAX Fill Level Lines
- C Heat Pipes
- D Cold Zone
- E Drain Pipe

- ◆ Close the drain valve.
- ◆ Fill the fryer tank with liquid shortening.
- ◆ Shortening level should be between the min and max lines in the fryer tank.
- ◆ Shortening will expand when heated. Do not fill the fryer tank past the MAX line.
- ◆ Add fresh shortening as needed to maintain oil level.

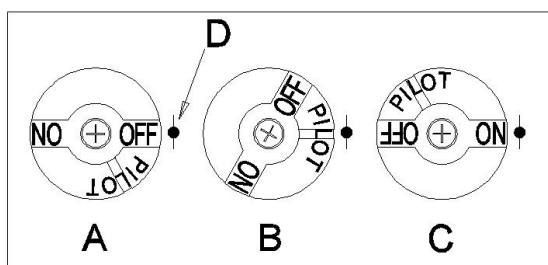
LIGHTING THE PILOT



Thermostat

GRM SERIES GAS FRYERS

1. Open the door.
2. Make sure that thermostat is set to OFF. The thermostat is located behind the door.
3. Push the gas control valve knob and turn to OFF (see figure below, view A). Wait 5 minutes for unburned gas to vent.
4. Push and turn gas control valve knob to the “L” in PILOT (see figure below, view B).
5. While still holding the knob in, light the pilot with a lit flame. Continue to depress the knob until pilot remains lit when knob is released. If the pilot does not remain lit, repeat step 3 through 5.
6. Depress and turn gas control knob to ON (See figure below, view C).
7. If gas supply is interrupted, repeat steps 2 through 6.



- A Gas Valve Knob, View A
- B Gas Valve Knob, View B
- C Gas Valve Knob, View C
- D Indicator Point, All Views

TURNING ON THE FRYER

- ◆ Set the temperature knob to desired temperature.
- ◆ After the set temperature has been reached, the thermostat shuts off the gas flow to burners.
- ◆ The pilot remains lit. The burners will cycle on and off, maintaining the set temperature.

TURNING OFF THE FRYER

1. Turn the thermostat OFF.
2. To keep the pilot lit, turn the gas valve to “L” in Pilot.
3. To shut off all gas to the system, including the pilot, turn the gas valve knob to the OFF position.

EXTENDED SHUTDOWN

1. Turn the thermostat knob to OFF.
2. Push in the pilot knob and turn to OFF.
3. Thoroughly drain the fryer. Refer to DRAINING THE FRYER.
4. Clean the fryer according to CLEANING.
5. Turn off the main gas shutoff valve.

BASIC FRYING INSTRUCTION

- ◆ Set the desired temperature and allow shortening to heat up to that temperature.
- ◆ Fry items that are the same size to ensure equal doneness.
- ◆ Drain or wipe dry raw or wet foods to minimize splatter when lowering into hot shortening.
- ◆ Add fresh shortening as needed.

Fry Basket Guidelines

- ◆ Do not overfill baskets. (See table for recommended basket capacities below) Carefully lower basket into oil.
- ◆ When frying doughnuts and fritters, turn product only once during frying.
- ◆ When cooking French fries or onion rings, shake the basket several times.
- ◆ Batter-covered foods should be dropped carefully, one by one, into shortening or basket. If you use the basket, first dip the basket into the shortening to reduce batter-build up on basket surfaces.
- ◆ When frying is completed, remove basket or product. Hang basket on rear hanger.

Fry Basket Capacity:

1GR35M: Recommended pounds per basket are 1.5 lbs. (0.7 kg).

1GR45M: Recommended pounds per basket are 2.5 lbs. (1.1 kg).

1GR65M: Recommended pounds per basket are 3.0 lbs. (1.4 kg).

1GR85M: Recommended pounds per basket are 3.5 lbs. (1.6 kg).

EXTENDING SHORTENING LIFE

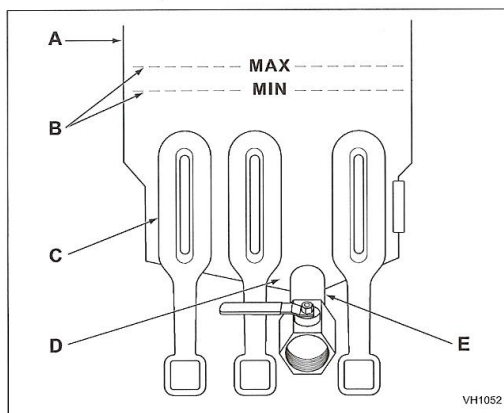
Shortening life can be extended by the following guidelines:

- ◆ Do not salt foods over the fryer.
- ◆ Use good-quality shortening.
- ◆ Filter shortening daily (at a minimum).
- ◆ Replace shortening if it becomes poorly flavored.
 - ◆ Keep equipment and surrounding clean. Use tank covers when not in use. (accessory).
- ◆ Set thermostat correctly.
- ◆ Remove excess moisture and particles from food products before placing on fryer.
- ◆ Use a fitted tank cover (accessory) to keep oil covered from light and oxygen

DRAINING THE OIL

▲ WARNING Hot oil and hot parts can cause burns. Use care when operating, cleaning, and servicing the fryer.

1. Turn the thermostat knob to the OFF position. .
2. Insert the drain extension into the drain valve. Tighten only hand tight.
3. Direct the drain extension into the mobile filtering device that you want to use.
4. Slowly open the drain valve to allow oil to flow from the fry tank to the filter pan. Then open the drain valve all the way.
5. When fry tank is empty use the tank brush to remove any additional debris.
6. Close the drain valve.
7. Fill tank with new shortening. Fill to a minimum of the MIN level but no higher than halfway between MIN and MAX. Oil will expand as it is heated.
8. After the fry tank is filled with new oil, turn the thermostat knob to the desired set temperature. The burners will come on and will heat the oil.



- A Fryer Tank
- B MIN and MAX Fill Level Lines
- C Heat Pipes
- D Cold Zone
- E Drain Pipe

CLEANING

⚠ WARNING Hot oil and hot parts can cause burns. Use care when operating, cleaning, and servicing the fryer.

Daily

Clean your fryer regularly with the tank brush along with a damp cloth, and polish with a soft dry cloth. If regular cleaning is neglected, grease will be burned on and discolorations may form.

Fingerprints are sometimes a problem on highly polished surfaces of stainless steel. They can be minimized by applying a cleaner that will leave a thin oily or waxy film.

- ◆ Clean all exterior surfaces of your fryer at least once daily.
- ◆ Use a damp cloth with warm water and a mild soap or detergent.

NOTICE Do not use chlorine or sulfate/sulfide cleaners.

- ◆ Rinse thoroughly, and then polish with a soft dry cloth.
- ◆ Keep the fryer exterior clean and free of accumulated grease to prevent stubborn stains from forming. If regular cleaning is neglected, grease will be burned on and discolorations may form.
- ◆ Remove discolorations by washing with any detergent or soap and water.
- ◆ Use a self-soaping, non-metallic scouring pad for particularly stubborn discolorations.
- ◆ Always rub with the grain of the stainless steel.
- ◆ Do not use a metallic scoring pad or harsh cleaners.

BOIL OUT PROCEDURE

Weekly or as required:

1. Drain the tank as described under DRAINING THE TANK.
2. Once the shortening has been drained, flush out scraps and sediment using the provided tank brush.
3. Close the drain valve and fill tank water. Use a low foaming cleaner/degreaser to clean the fry tank. Follow the instructions on the side of the package.

NOTICE Do not use chlorine or sulfate/sulfide cleaners.

4. Solution level must be between the MIN and MAX levels on the fryer tank.
5. Set the temperature knob to 200°F or for the recommended solution being used. Allow solution to simmer for about 15 to 20 minutes.
6. Drain the cleaning solution from the tank.
7. Close the drain valve and refill the tank with water. Add 1 cup (1/4 L) of vinegar to neutralize alkaline left by the cleaner. Solution level must be between the MIN and MAX level on the fryer tank.
8. Bring the solution to a simmer only, turn the thermostat off. Allow to stand for a few minutes.
9. Drain the tank according to DRAINING THE TANK. Rinse thoroughly with clear, hot water. All traces of cleaner must be removed. Dry the tank thoroughly.
10. Close the drain valve and add shortening. Follow the FILLING TANK WITH SHORTENING procedure in this manual. The fryer is now ready for use.

MAINTENANCE

⚠ WARNING Hot oil and hot parts can cause burns. Use care when operating, cleaning, and servicing the fryer.

⚠ WARNING Spilling hot fryer compound can cause severe burns. Do not move fryer without draining all frying compound from the tank.

FLUE VENT INSPECTION

When the fryer is cool, inspect annually. Check the flue and clear any obstructions.

Service in the US and Canada

Check www.vulcanequipment.com for the closest service office.

Troubleshooting Chart:	
Problem:	Probable Cause:
No Heat:	Thermostat dial not turned on. Pilot not lit. Gas supply not turned on. Wire connections loose (call service) Wires connections need cleaning (call service) Thermopile (call service)
Insufficient or too much heat:	Thermostat dial not set to desired temperature. High limit tripped (call service) Temperature probe (call service)
Tank will not drain:	Shortening too cold. Drain pipe clogged with debris.

LIMITED ORIGINAL COMMERCIAL EQUIPMENT WARRANTY FOR THE GRM SERIES GAS FRYERS

Vulcan warrants the GRM Gas Fryer to be free of defects in materials and workmanship for a period of 1 year from the date of original installation.

This Warranty is subject to the following conditions and limitations:

1. This warranty is limited to product(s) sold by Vulcan to the original user in the continental United States and Canada.
2. Original installation must occur within 18 months of date of manufacture, and proof of the installation must be provided to Superior / Vulcan.
3. The liability of Vulcan is limited to the repair or replacement of any part found to be defective.
4. Vulcan will bear normal labor charges incurred in the repair or replacement of a warranted piece of equipment within 50 miles (80 kilometers) of an authorized service agency. Time and travel charges in excess of 50 miles (80 kilometers) will be the responsibility of the person or firm requesting the service.
5. This warranty does not apply to any product(s) which have not been installed in accordance with the directions published in the appropriate installation and operation manuals. Vulcan will bear no responsibility or liability for any product(s) which have been mishandled, abused, misapplied, misused, subject to harsh chemical action, (chlorinated or sulfate products), or poor water quality, field modified by unauthorized personnel, damaged by flood, fire, or other acts of nature, or which have altered or missing serial numbers.
6. Vulcan does not recommend or authorize the use of any product(s) in a non-commercial application, including but not limited to residential use. The use or installation of product(s) in non-commercial applications renders all warranties, expressed or implied, including the warranties of MERCHANTABILITY and FITNESS FOR A PARTICULAR PURPOSE, null and void, including any responsibility for damage, cost and legal actions resulting from the use or installation of product(s) in any non-commercial setting.
7. Adjustments such as calibrations, leveling, tightening of fasteners or utility connections normally associated with original installation are the responsibility of the installer and not that of Superior / Vulcan.
8. Exception to the 1 year warranty period is as listed:
Fry Tanks: If tank is found to be leaking within the first two years of operation from date of installation and verified by an authorized service agency, the fry tank will be replaced at no charge including labor, travel, freight, and mileage. Fry tanks found to be leaking that are over 2 years and under 5 years, 25% of the current selling fry tank price, plus labor, freight and mileage will be the responsibility of the person or firm requesting the service. Fry tanks found to be leaking that are over 5 years and under 8 years, 50% of the current selling fry tank price, plus labor, freight and mileage will be the responsibility of the person or firm requesting the service. Fry tanks found to be leaking that are over 8 years and under 10 years, 75% of the current selling fry tank price, plus labor, freight and mileage will be the responsibility of the person or firm requesting the service. After 10 years – no fry tank part warranty will be provided.
9. Original purchased replacement parts manufactured by Vulcan will be warranted for 90 days from the parts invoice date. This warranty is for parts cost only, and does not include freight or labor charges. Exceptions are stainless steel fry tanks which will be warranted as stated in item 8.
10. This states the exclusive remedy against Vulcan relating to the product(s), whether in contract or in tort or under any other legal theory, and whether arising out of warranties, representations, instructions, installations or defects from any cause. Vulcan shall not be liable, under any legal theory, for loss of use, revenue or profit, or for substituted use or performance, or for incidental, indirect, or special or consequential damages or for any other loss of cost of similar type.
11. THIS WARRANTY AND THE LIABILITIES SET FORTH HEREIN ARE EXCLUSIVE AND IN LIEU OF ALL OF THEIR LIABILITIES AND WARRANTIES, EXPRESSED OR IMPLIED, INCLUDING BUT NOT LIMITED TO, IMPLIED WARRANTIES OR MERCHANTABILITY AND FITNESS FOR PARTICULAR PURPOSE AND CONSTITUTES THE ONLY WARRANTY OF VULCAN WITH RESPECT TO THE PRODUCT(S).

F-32911 (Rev. 5/13)



DONE TO PERFECTION.

GUIDE D'INSTALLATION ET D'UTILISATION

FRITEUSES À GAZ SÉRIE GRM

MODÈLES :

1GR35M	ML-136407
1GR45M	ML-136408
1GR65M	ML-136409
1GR85M	ML-136410



1GR45M illustré

Pour obtenir des renseignements supplémentaires au sujet de Vulcan-Hart ou pour trouver un fournisseur de pièces et service autorisé dans votre région, veuillez visiter notre site web à www.vulcanequipment.com

RENSEIGNEMENTS DE SÉCURITÉ IMPORTANTS

CE MANUEL A ÉTÉ ÉLABORÉ POUR DU PERSONNEL QUALIFIÉ EN VUE DE L'INSTALLATION D'UN APPAREIL FONCTIONNANT AU GAZ, DE LA MISE EN MARCHÉ INITIALE SUR LE SITE ET DES AJUSTEMENTS DE L'APPAREIL COUVERT PAR CE MANUEL.

AFFICHEZ À UN ENDROIT VISIBLE LES DIRECTIVES À SUIVRE EN PRÉSENCE D'ODEUR DE GAZ. CES RENSEIGNEMENTS PEUVENT AUSSI ÊTRE OBTENUS AUPRÈS D'UN FOURNISSEUR LOCAL DE GAZ.

IMPORTANT

EN PRÉSENCE D'ODEUR DE GAZ, ARRÊTER L'APPAREIL À L'AIDE DE LA SOUPAPE PRINCIPALE ET COMMUNIQUER AVEC LA COMPAGNIE DE GAZ OU LE FOURNISSEUR DE GAZ POUR LA RÉPARATION DE L'APPAREIL.

POUR VOTRE SÉCURITÉ

NE PAS RANGER NI UTILISER DE GAZOLINE OU D'AUTRES VAPEURS OU LIQUIDES INFLAMMABLES DANS LES ENVIRONS DE CET APPAREIL OU DE TOUTE AUTRE APPAREIL.

 **AVERTISSEMENT**

Une installation, un ajustement, une modification, une réparation ou un entretien inapproprié peut entraîner des dommages, des blessures ou la mort.

Lire attentivement les directives d'installation, d'utilisation et d'entretien avant d'installer ou de faire l'entretien de cet appareil.

TABLE DES MATIÈRES

RENSEIGNEMENTS DE SÉCURITÉ IMPORTANTS	19
INTRODUCTION	21
GÉNÉRALITÉS	21
COMMANDE DE PIÈCES	21
CAPACITÉ DE LA FRITEUSE	21
DÉBALLAGE	21
INSTALLATION	22
Dégagement	22
Emplacement.....	22
CODES ET NORMES.....	22
ASSEMBLAGE	23
RACCORDEMENT DU CONDUIT DE FUMÉE	23
RACCORDEMENT DU GAZ	24
Raccord rapide pour les appareils sur roulettes	25
PRESSION DU GAZ.....	25
TEST DE L'ALIMENTATION EN GAZ.....	25
FRITEUSES AVEC ROULETTES	25
MISE À NIVEAU DE LA FRITEUSE	26
UTILISATION.....	26
ARRÊT EN CAS DE SURCHAUFFE	26
AVANT LA PREMIÈRE UTILISATION.....	26
Nettoyage	26
REPLISSAGE DE LA CUVE DE GRAISSE ALIMENTAIRE.....	27
ALLUMAGE DE LA FLAMME PILOTE	27
MISE EN MARCHÉ DE LA FRITEUSE	28
MISE EN ARRÊT DE LA FRITEUSE	28
ARRÊT PROLONGÉ.....	29
DIRECTIVES DE FRITURE DE BASE.....	29
Directives d'utilisation du panier à friture	29
PROLONGATION DE LA DURÉE DE VIE DE LA GRAISSE ALIMENTAIRE	30
VIDANGE DE LA CUVE.....	30
FILTRAGE QUOTIDIEN - TOUS LES MODÈLES.....	30
NETTOYAGE	31
Quotidien	31
PROCÉDURE D'ÉBOUILLANTAGE.....	32
ENTRETIEN.....	33
INSPECTION DU CONDUIT DE FUMÉE	33
Service aux É.-U. et au Canada.....	33
DÉPANNAGE.....	33
Tableau de dépannage.....	33
GARANTIE.....	34

INTRODUCTION

GÉNÉRALITÉS

Les friteuses Vulcan sont fabriquées avec de la main-d'oeuvre qualifiée et des matériaux de qualité. Une installation, une utilisation et un entretien approprié favoriseront des années de performance satisfaisante.

Avant d'installer la friteuse, lisez ce manuel en entier et suivez attentivement toutes les instructions.

Ce manuel s'applique au modèle figurant sur la page de couverture. Les procédures décrites dans ce manuel s'appliquent à tous les modèles sauf indication contraire. Les images et les illustrations peuvent être de n'importe quel modèle sauf si la photo ou l'illustration doit être spécifique du modèle.

COMMANDE DE PIÈCES

Les clients peuvent commander des pièces directement de leur centre de service autorisé. Si vous ne le connaissez pas, appelez le Service à la clientèle de Vulcan au 800-814-7028.

Pour accélérer votre commande, indiquez le numéro de modèle, le numéro de série, le type de gaz, la pièce nécessaire, le numéro de référence de l'article (si connu) et la quantité nécessaire.

CAPACITÉ DE LA FRITEUSE				
MODÈLE	Nombre de tubes à chaleur par cuve de friture	BTU/heure par cuve de friture	Largeur totale du système en po (cm)	Quantité de graisse alimentaire en lb (kg) par cuve de friture
1GR35M	3	90 000	15,5 (39)	35 à 40 (16 à 18)
1GR45M	4	120 000	15,5 (39)	45 à 50 (21 à 23)
1GR65M	5	150 000	21,0 (53)	65 à 70 (29 à 32)
1GR85M	5	150 000	21,0 (53)	85 à 90 (39 à 41)

DÉBALLAGE

Cette friteuse a été soigneusement inspectée avant son expédition de l'usine. En acceptant sa livraison, le transporteur prend l'entière responsabilité de le livrer en toute sécurité. Immédiatement après la livraison, vérifiez s'il a effectivement subi des dommages pendant le transport.

S'il s'avère que la friteuse a été endommagée, veuillez suivre les procédures suivantes :

1. Le transporteur doit être averti dans les 5 jours ouvrables suivant la réception.
2. Les gens du terminus local du transporteur doivent être avisés immédiatement lors de la découverte des dommages (indiquez l'heure, la date et à qui vous avez parlé) et assurez le suivi en confirmant les faits par écrit ou par communication électronique.
3. Pour fins d'inspection, tout le matériel d'emballage original doit être conservé.
4. La friteuse ne doit pas avoir été déplacé, installé ou modifié.
5. Avisez le Service à la clientèle de Vulcan immédiatement en faisant le (800) 814-2028.

Vérifiez que les éléments suivants ont été inclus :

- ◆ Ramasse-miettes
- ◆ Support à panier
- ◆ Paniers à friture double (2)
- ◆ Brosse à cuve
- ◆ Roulettes réglables (4), deux verrouillables, deux non-verrouillables pour les friteuses autostables.
- ◆ Rallonge de tuyau de vidange pour les friteuses autostables seulement.
- ◆ Deux paniers à friture (2) par cuve de friture.

GRM SERIES GAS FRYERS

- ◆ Tige de nettoyage
- ◆ Pelle ramasse-miettes
- ◆ Manuel et garantie - Conserver aux fins de référence ultérieure.

INSTALLATION

N'utilisez pas la porte ou sa poignée pour soulever la friteuse.

Avant l'installation de la friteuse, vérifiez que le type de gaz (naturel ou propane) est conforme aux spécifications de la plaque signalétique de la friteuse, située à l'intérieur du panneau de porte. Assurez-vous que la friteuse est configurée pour l'élévation appropriée.

Inscrivez les numéros de modèle, d'appareil et de série de votre friteuse dans l'espace prévu ci-dessous à des fins de référence ultérieure. Ces renseignements sont inscrits sur la plaque signalétique de la friteuse.

N° de modèle de la friteuse : _____

Appareil : _____

N° série : _____

Dégagement

- ◆ Dégagement minimum de toute construction combustible :
6 po (15 cm) sur les côtés de la friteuse
6 po (15 cm) à l'arrière de la friteuse
La friteuse peut être installée sur des sols constitués de matériaux combustibles
- ◆ Dégagement minimum de toute construction non combustible :
0 po sur les côtés de la friteuse
0 po à l'arrière de la friteuse
- ◆ Entre la friteuse et toute flamme découverte : 41 cm (16 po)
- ◆ Laissez de l'espace pour l'entretien et l'utilisation

Emplacement

- ◆ Installez la friteuse dans une zone disposant d'une alimentation en air suffisante pour la combustion des gaz des brûleurs de la friteuse.
- ◆ N'obstruez pas la circulation de l'air de combustion et d'aération.
- ◆ Un dégagement approprié des ouvertures d'air dans la chambre de combustion doit être fourni.
- ◆ Ne laissez jamais un ventilateur souffler directement sur la friteuse.
- ◆ Évitez les ventilateurs muraux qui produisent des contre-courants d'air dans la pièce. Évitez d'ouvrir des fenêtres à proximité de la friteuse.

CODES ET NORMES

La friteuse doit être installée conformément aux codes et normes suivantes :

Aux États-Unis :

- ◆ Codes d'État et codes locaux, ou en l'absence de codes locaux :
- ◆ National Fuel Gas Code, ANSI-Z223.1/NFPA no 54 (plus récente édition). Des exemplaires sont disponibles auprès de The American Gas Association Accredited Standards Committee Z223, @ 400 N. Capital St. NW, Washington, DC 20001 ou du Secretary Standards Council, NFPA, 1 Batterymarch Park Quincy, MA 02169-7471
- ◆ Norme no 96 de NFPA, Vapor Removal from Cooking Equipment, plus récente édition, disponible auprès de la National Fire Protection Association, Batterymarch Park, Quincy, MA.
- ◆ National Electrical Code, ANSI/NFPA-70 (plus récente édition). Vous pouvez en obtenir des exemplaires auprès de la National Fire Protection Association, Batterymarch Park, Quincy, MA. 02169-7471.
- ◆ Dans le Commonwealth du Massachusetts, tous les fonctionnant au gaz et ayant une hotte de ventilation ou un système d'échappement avec un registre ou des dispositifs motorisé d'échappement doivent être conformes à 248 CMR.

Au Canada :

- ◆ Codes locaux
- ◆ CAN/CSA-B149.1 Code d'installation du gaz naturel et du propane (plus récente édition), disponible auprès de l'Association canadienne de normalisation, 155, rue Queen, bureau 1300, Ottawa, Ontario Canada K1P 6L1.
- ◆ CSA-C22.1 Code canadien de l'électricité, (plus récente édition), disponible auprès de l'Association canadienne de normalisation, 155, rue Queen, bureau 1300, Ottawa, Ontario Canada K1P 6L1.

MONTAGE

La friteuse doit être retenue pour empêcher le basculement et la projection de liquide chaud. Le moyen de retenue peut être la méthode d'installation, telle que la connexion à une batterie d'appareils ménagers, l'installation de la friteuse dans une alcôve ou par des moyens distincts, tels que des liens.

RACCORDEMENT DU CONDUIT DE FUMÉE

Effectuez le raccordement du conduit de fumée comme suit :

- ◆ Respectez la norme no 96 de ANSI-NFPA *Vapor Removal from Cooking Equipment*, (plus récente édition), disponible auprès de la National Fire Protection Association, Batterymarch Park, Quincy, MA 02269.
- ◆ Placez la friteuse sous une hotte adéquatement raccordée à un conduit d'échappement. La hotte doit dépasser de 6 po (15 cm) les deux côtés de la friteuse.

- ♦ Le dégagement au-dessus de la friteuse doit être adéquat pour que les sous-produits de combustion soient éliminés efficacement.
- ♦ Un dégagement minimal de 18 po (46 cm) doit être maintenu entre l'évent du conduit de fumée et les filtres du système de ventilation de la hotte.
- ♦ Ne raccordez jamais directement le conduit de fumée à la friteuse.
- ♦ N'obstruez pas le débit du gaz de l'appareil. Un bon équilibre de l'air doit être maintenu dans la pièce.
- ♦ Veillez à ce que votre système de ventilation ne cause pas un courant descendant à l'ouverture du conduit de fumée de la friteuse. Un courant descendant ne permet pas l'évacuation adéquate des émissions de la friteuse et entraîne une surchauffe, ce qui peut causer des dommages permanents. Les dommages causés par un courant descendant ne sont pas couverts par la garantie de l'appareil. Ne laissez jamais quoi que ce soit obstruer le conduit de fumée ou la ventilation sortant du conduit de fumée de la friteuse. Ne placez rien sur le dessus de conduit de fumée.

RACCORDEMENT DU GAZ



AVERTISSEMENT

Toutes les connexions d'alimentation en gaz et toute pâte à joint doivent être résistantes à l'action du gaz propane.

L'entrée de gaz se trouve au bas de la face arrière de la friteuse. Les codes exigent qu'un robinet d'arrêt soit installé dans la conduite de gaz à l'avant de la friteuse.

La conduite d'alimentation en gaz doit être au moins l'équivalent d'un tuyau en fer de ½ po (12,7 mm). Si vous utilisez le tuyau flexible à raccord rapide en option, il doit être l'équivalent d'un tuyau de fer de ¾ po (19 mm).

Assurez-vous que les tuyaux sont propres et libres de toute obstruction, saleté ou pâte à joint. Une batterie de réservoirs nécessite une ou deux connexions de taille correspondant à l'exigence du gaz.



AVERTISSEMENT

Avant l'allumage, vérifiez tous les raccords de la conduite d'alimentation de gaz pour vous assurer qu'il n'y a pas de fuite. Utilisez une solution de savon et d'eau. N'utilisez pas une flamme nue.

Après avoir vérifié l'absence de fuites dans la tuyauterie, purgez entièrement les tuyaux de gaz afin de supprimer l'air.

PRESSIONS DE GAZ (TOUS LES MODÈLES) :

La pression du gaz doit être réglée à 4 po CE (colonne d'eau) (0,8 kPa) pour le gaz naturel et 10 po CE (2,75 kPa) pour le gaz propane. Si la pression entrante dépasse ½ PSI (3,45 kPa), un régulateur de pression supplémentaire doit être installé.

TEST DES CONDUITES D'ALIMENTATION DE GAZ

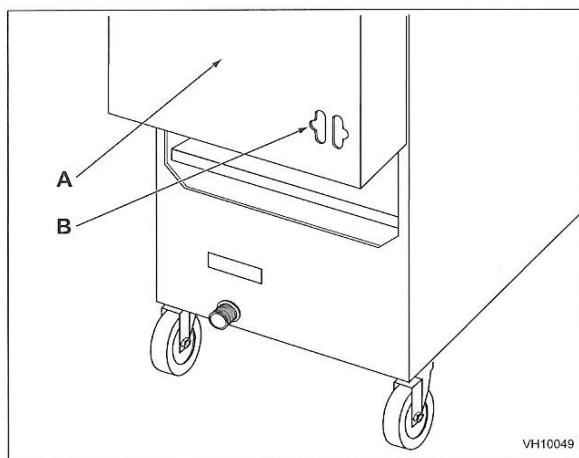
Lorsque la pression d'essai dépasse 1/2 psi (3,45 kPa), la friteuse et son robinet d'arrêt individuel doivent être débranchés du système de conduite d'alimentation de gaz.

Lorsque la pression d'essai est de 1/2 psi (3,45 kPa) ou moins, la friteuse doit être isolée du système d'alimentation de gaz en fermant le robinet d'arrêt manuel individuel.

Friteuses avec roulettes :

Des instructions distinctes pour l'installation des roulettes sont incluses avec les roulettes :

- ♦ L'installation doit être effectuée au moyen d'un raccord qui est conforme à la norme *Connectors for Movable Gas Appliances*, ANSI Z21.69, CAN/CGA-6.16, et d'un dispositif de déconnexion rapide conforme à la norme *Standard for Quick-Disconnect Devices for Use with Gas Fuel*, ANSI z21.41 ou *Quick-Disconnect Devices for Use with Gas Fuel*, CSA 6.9.
- ♦ Lors de l'installation d'un raccord rapide, vous devez également installer un moyen de limiter le mouvement de la friteuse. Ce dispositif permettra d'éviter l'imposition d'une force excessive sur la conduite de gaz ou au raccord rapide. Le dispositif de retenue doit être fixé à la découpe du panneau arrière. Consultez l'illustration pour l'emplacement.



- A Arrière de la friteuse
- B Connexion de la chaîne du détendeur (chaîne fourni par d'autres)

- ♦ La friteuse doit être installée à l'aide d'un connecteur (non fourni par Vulcan) conforme aux codes ci-dessus.
- ♦ La friteuse doit être installée avec un dispositif de retenue pour empêcher le connecteur de subir une tension. Consultez l'illustration.
- ♦ La friteuse doit être installée avec les roulettes fournies.

- ◆ Si le dispositif de retenue doit être déconnecté, fermez d'abord l'alimentation en gaz. Si la déconnexion du dispositif de retenue est nécessaire, rebranchez ce dispositif de retenue après que la friteuse a été remise à sa position initiale.

MISE À NIVEAU DE LA FRITEUSE

Vérifiez le niveau de la friteuse en plaçant un niveau sur le dessus de la friteuse une fois que le raccordement du gaz a été fait.

Veillez à ce que la friteuse soit de niveau de l'avant à l'arrière et d'un côté à l'autre dans la position d'installation finale.

Verrouillez les roues une fois que l'appareil est de niveau.

UTILISATION



L'huile et les pièces chaudes peuvent causer des brûlures. Soyez prudent lors de l'utilisation, du nettoyage et de l'entretien de la friteuse.



Le déversement de composé de friture chaude peut causer de graves brûlures. Ne déplacez pas la friteuse sans vidanger tous les composés de friture de la cuve.



La friteuse ne doit pas être utilisée lors d'une coupure de courant

ARRÊT EN CAS DE SURCHAUFFE

Si la graisse alimentaire devient surchauffée, un dispositif d'arrêt en cas de haute température ferme la soupape à gaz et éteint la flamme pilote.

Si la friteuse s'arrête en raison d'une surchauffe, ne rallumez pas la flamme pilote avant que la température de la graisse alimentaire soit en dessous de 300 F (149 C).

Si le problème de surchauffe persiste, contactez votre centre de service Vulcan-Hart autorisé.

AVANT LA PREMIÈRE UTILISATION

Nettoyage

Les appareils neufs sont essuyés à l'usine pour retirer tout signe visible de saleté, d'huile, de graisse, etc. restant du procédé de fabrication.

Avant toute préparation de nourriture, lavez soigneusement l'huile protectrice de la surface de toutes les pièces et l'intérieur de la cuve avec de l'eau chaude savonneuse pour retirer tout résidu du film et la poussière ou les débris.

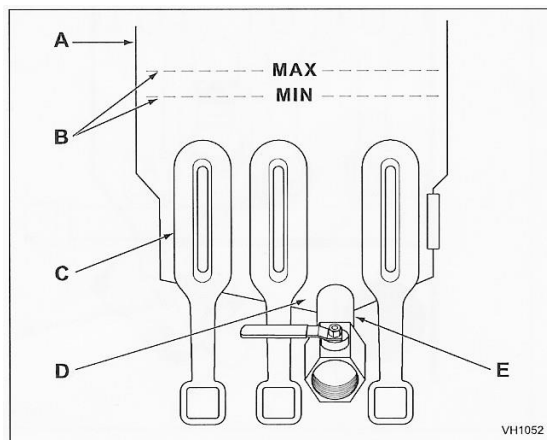
REMARQUE

N'utilisez pas d'agent nettoyant à base de chlore ou de sulfate/sulfure.

- ◆ Lavez tous les accessoires livrés avec l'appareil.
- ◆ Rincez soigneusement la friteuse et les accessoires et vidangez la friteuse.
- ◆ Essuyez la cuve complètement avec un linge doux.

REPLISSAGE DU BASSIN DE GRAISSE ALIMENTAIRE

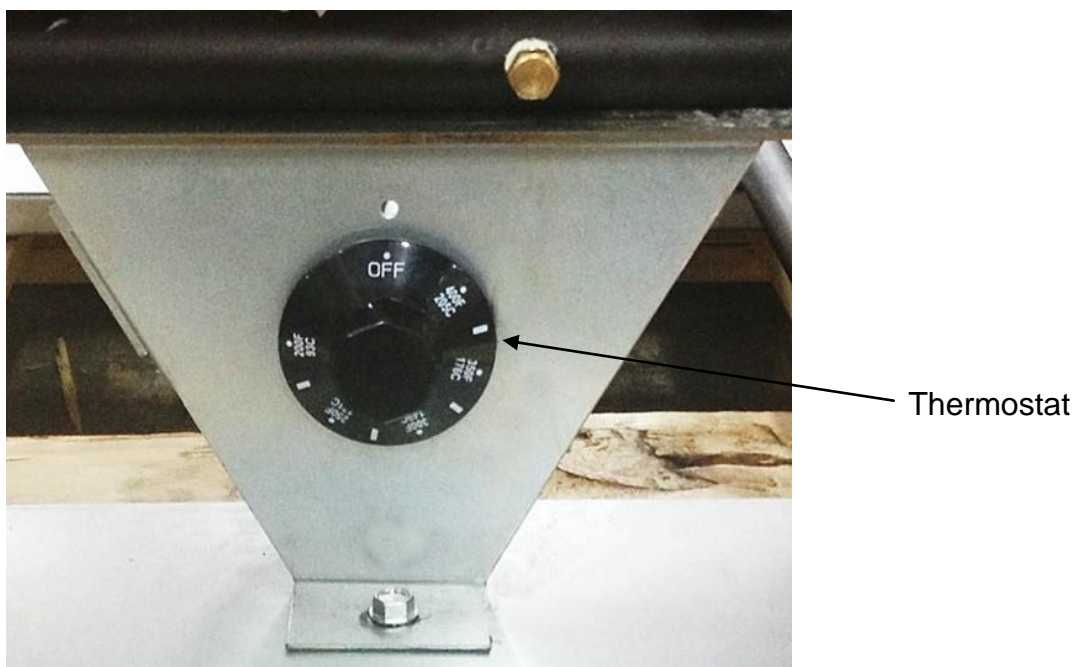
REMARQUE La graisse alimentaire solide ne doit PAS être utilisée dans les friteuses GRM. Fondre la graisse alimentaire solide endommagera la cuve et annulera la garantie.



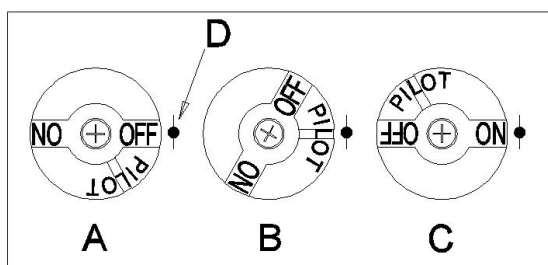
- A Cuve de la friteuse
- B Lignes de niveaux de remplissage MIN et MAX
- C Conduits de chaleur
- D Zone froide
- E Tuyau de vidange

- ♦ Fermez le robinet de vidange.
- ♦ Remplissez la cuve de la friteuse de graisse alimentaire liquide.
- ♦ Le niveau de graisse doit se situer entre les lignes max et min de la cuve de la friteuse.
- ♦ La graisse prend de l'expansion lorsqu'elle est chauffée. Ne remplissez pas la cuve de la friteuse au-dessus de la ligne MAX.
- ♦ Ajoutez de la nouvelle graisse alimentaire au besoin pour maintenir le niveau d'huile.

ALLUMAGE DE LA FLAMME PILOTE



1. Ouvrez la porte.
2. Assurez-vous de mettre le thermostat à la position d'arrêt (OFF). Le thermostat est situé derrière la porte.
3. Poussez le bouton du robinet de commande du gaz et tournez-la à la position OFF (voir la figure ci-dessous, vue A). Attendez 5 minutes pour que le gaz imbrûlé s'évacue.
4. Poussez et tournez le bouton du robinet de commande du gaz vis-à-vis du "L" de PILOT (voir la figure ci-dessous, vue B).
5. Tout en maintenant le bouton enfoncé, allumez la flamme pilote avec une flamme nue. Continuez à appuyer sur le bouton jusqu'à ce que la flamme pilote reste allumée lors que le bouton est relâché. Si la flamme pilote ne reste pas allumée, répétez les étapes 3 à 5.
6. Enfoncez le bouton de commande du gaz et tournez-le à la position de marche (ON) (voir la figure ci-dessous, vue C).
7. Si alimentation en gaz est interrompue, répétez les étapes 2 à 6.



- A** Bouton de soupape à gaz, Vue A
B Bouton de soupape à gaz, Vue B
C Bouton de soupape à gaz, Vue C
D Point d'indication, Toutes les vues

ALLUMAGE DE LA FRITEUSE

- ♦ Réglez le bouton de température à la température désirée.
- ♦ Après que la température réglée est atteinte, le thermostat arrête le débit de gaz aux brûleurs.
- ♦ La flamme pilote allumée. Les brûleurs effectuent alors des cycles de marche-arrêt, afin de maintenir la température réglée.

ARRÊT DE LA FRITEUSE

1. Tournez le thermostat à la position OFF.
2. Pour garder la flamme pilote allumée, tournez la soupape à gaz à la position "L" de PILOT.
3. Pour fermer toute arrivée de gaz au système, y compris la flamme pilote, tournez le bouton de la soupape à gaz à la position d'arrêt (OFF).

ARRÊT PROLONGÉ

1. Tournez le bouton du thermostat à la position OFF.
2. Poussez sur le bouton de la veilleuse et tournez-le à la position OFF.
3. Vidangez complètement la friteuse. Consultez VIDANGE DE LA FRITEUSE.
4. Nettoyez la friteuse tel qu'indiqué dans la section NETTOYAGE.
5. Fermez le robinet d'arrêt de gaz principal.

INSTRUCTIONS DE FRITURE DE BASE

- ◆ Réglez la température souhaitée et laissez chauffer la graisse alimentaire à cette température.
- ◆ Faites frire des éléments qui sont de la même taille afin d'assurer une cuisson égale.
- ◆ Égouttez ou essuyez les aliments crus ou humides pour minimiser les éclaboussures lorsque les aliments sont abaissés dans la graisse chaude.
- ◆ Ajoutez de la nouvelle graisse alimentaire au besoin.

Directives d'utilisation du panier à friture

- ◆ Ne remplissez pas trop les paniers. (Voir le tableau ci-dessous au sujet des capacités recommandées pour les paniers). Déposez soigneusement le panier dans l'huile.
- ◆ Lors de la friture de beignes et de beignets, retournez le produit une seule fois pendant la cuisson.
- ◆ Lors de la cuisson de frites ou de rondelles d'oignons, secouez le panier plusieurs fois.
- ◆ Les aliments enrobés de pâte devraient être déposés avec précaution, un par un, dans l'huile ou le panier. Si vous utilisez le panier, trempez d'abord le panier dans l'huile pour réduire l'accumulation de pâte sur les surfaces du panier.
- ◆ Lorsque la friture est terminée, retirez le panier ou le produit. Accrochez le panier au support arrière.

Capacité du panier à friture :

1GR35M : Nombre de livres recommandées par panier - 1,5 lb (0,7 kg).

1GR45M : Nombre de livres recommandées par panier - 2,5 lb (1,1 kg).

1GR65M : Nombre de livres recommandées par panier - 3 lb (1,4 kg).

1GR85M : Nombre de livres recommandées par panier - 3,5 lb (1,6 kg).

PROLONGATION DE LA DURÉE DE VIE DE LA GRAISSE ALIMENTAIRE

La durée de vie de la graisse alimentaire peut être prolongée en respectant les directrices suivantes :

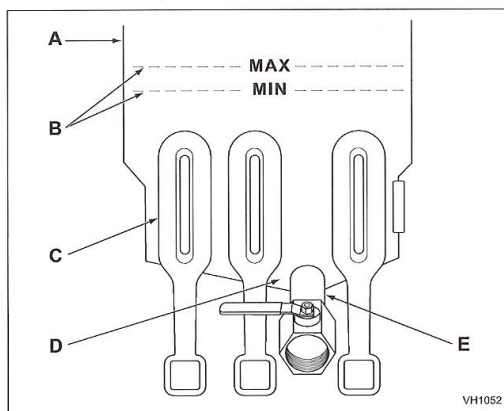
- ◆ Ne pas saler les aliments au-dessus de la friteuse.
- ◆ Utiliser une bonne qualité de graisse alimentaire.
- ◆ Filtrer la graisse alimentaire quotidiennement (au minimum).
- ◆ Remplacer la graisse alimentaire si son odeur devient mauvaise.
- ◆ Maintenez la propreté de l'appareil et de son environnement. Placer les couvercles sur les cuves lorsqu'elles ne sont pas utilisées. (Accessoire).
- ◆ Régler le thermostat correctement.
- ◆ Retirer l'excès d'humidité et les particules des produits alimentaires avant de mettre la graisse alimentaire dans la friteuse.
- ◆ Utiliser un couvercle de cuve ajusté (accessoire) pour garder l'huile à l'abri de la lumière et de l'oxygène.

VIDANGE DE L'HUILE



L'huile chaude et les pièces chaudes peuvent causer des brûlures. Soyez prudent lors de l'utilisation, du nettoyage et de l'entretien de la friteuse.

1. Tournez le bouton du thermostat à la position d'arrêt (OFF) .
2. Insérez la rallonge de vidange dans le robinet de vidange. Serrez à la main uniquement.
3. Posez la rallonge de vidange dans le dispositif mobile de filtrage que vous souhaitez utiliser.
4. Ouvrez lentement le robinet de vidange et laissez l'huile s'écouler de la cuve de friture dans le porte-filtre. Puis ouvrez le robinet de vidange au complet.
5. Lorsque la cuve de friture est vide, utilisez la brosse à cuve pour enlever les débris restants.
6. Fermez le robinet de vidange.
7. Remplissez la cuve de nouvelle graisse alimentaire. Remplissez au moins jusqu'au niveau MIN, mais pas plus qu'à mi-chemin entre MIN et MAX. L'huile augmente de volume lorsqu'elle est chauffée.
8. Lorsque la cuve de friture est remplie d'huile neuve, tournez le bouton du thermostat à la température souhaitée. Les brûleurs s'allumeront et chaufferont l'huile.



- A Cuve de la friteuse
- B Lignes de niveaux de remplissage MIN et MAX
- C Conduits de chaleur
- D Zone froide
- E Tuyau de vidange

NETTOYAGE



AVERTISSEMENT

L'huile chaude et les pièces chaudes peuvent causer des brûlures. Soyez prudent lors de l'utilisation, du nettoyage et de l'entretien de la friteuse.

Chaque jour

Nettoyez votre friteuse régulièrement avec la brosse à cuve ainsi qu'avec un chiffon humide, et polissez avec un chiffon sec et doux. Si le nettoyage régulier est négligé, la graisse brûlée s'incrusterait et une décoloration peut apparaître.

Les empreintes digitales sont parfois un problème sur les surfaces très polies en acier inoxydable. Elles peuvent être minimisées en appliquant un nettoyant qui laissera un mince film huileux ou cireux.

- ◆ Nettoyez toutes les surfaces extérieures de la friteuse au moins une fois par jour.
- ◆ Utilisez un chiffon humidifié avec de l'eau tiède et un savon ou un détergent doux.

REMARQUE

N'utilisez pas d'agent nettoyant à base de chlore ou de sulfate/sulfure.

- ◆ Rincez en profondeur, puis polissez avec un linge doux.
- ◆ Gardez l'extérieur de la friteuse propre et exempt d'accumulation de graisse pour éviter la formation de taches tenaces. Si le nettoyage régulier est négligé, la graisse brûlée s'incrusterait et une décoloration peut apparaître.
- ◆ Enlevez toute décoloration par un lavage avec de l'eau et du détergent ou du savon.

- ◆ Utilisez un tampon à récurer automoussant non métallique pour les décolorations particulièrement tenaces.
- ◆ Frottez toujours dans le sens du grain de l'acier inoxydable.
- ◆ N'utilisez pas de tampon à récurer métallique ou des nettoyants abrasifs.

PROCÉDURE D'ÉBOUILLANTAGE

Chaque semaine ou au besoin :

1. Vidangez la cuve tel que décrit sous VIDANGE DE LA CUVE.
2. Une fois que la graisse alimentaire a été vidangée, rincez les restes et les sédiments en utilisant la brosse à cuve fournie.
3. Fermez le robinet de vidange et remplissez la cuve d'eau. Utilisez un nettoyant/dégraissant peu moussant pour nettoyer la cuve de friture. Suivez les instructions figurant sur le côté de l'emballage.

REMARQUE

N'utilisez pas d'agent nettoyant à base de chlore ou de sulfate/sulfure.

4. Le niveau de la solution doit se situer entre les lignes MIN et MAX de la cuve de la friteuse.
5. Réglez le bouton de température à 200 °F ou à la température recommandée pour la solution utilisée. Laissez la solution mijoter pendant environ 15 à 20 minutes.
6. Vidangez la solution de nettoyage de la cuve.
7. Fermez le robinet de vidange et remplissez la cuve d'eau. Ajoutez 1 tasse (1/4 L) de vinaigre pour neutraliser tout alcali laissé par le nettoyant. Le niveau de la solution doit se situer entre les lignes MIN et MAX de la cuve de la friteuse.
8. Portez la solution à douce ébullition seulement, fermez le thermostat. Laissez reposer pendant quelques minutes.
9. Vidangez la cuve tel que décrit sous VIDANGE DE LA CUVE. Rincez à fond à l'eau claire et chaude. Toute trace de nettoyant doit être enlevée. Séchez soigneusement la cuve.
10. Fermez le robinet de vidange et ajoutez la graisse alimentaire. Suivez la procédure de REMPLISSAGE DE LA CUVE DE GRAISSE ALIMENTAIRE de ce manuel. La friteuse est maintenant prête à l'emploi.

ENTRETIEN



AVERTISSEMENT

L'huile chaude et les pièces chaudes peuvent causer des brûlures. Soyez prudent lors de l'utilisation, du nettoyage et de l'entretien de la friteuse.



AVERTISSEMENT

Le déversement de composé de friture chaude peut causer de graves brûlures. Ne déplacez pas la friteuse sans vidanger tous les composés de friture de la cuve.

INSPECTION DU CONDUIT DE FUMÉE

Inspectez une fois l'an, lorsque la friteuse est froide. Vérifiez le conduit de fumée et éliminez toute obstruction.

Service aux États-Unis et au Canada

Consultez www.vulcanequipment.com pour trouver le bureau de service le plus près.

Tableau de dépannage :	
Problème :	Cause probable :
Pas de chaleur :	Le cadran du thermostat n'est pas allumé. La flamme pilote n'est pas allumée. L'alimentation en gaz n'est pas ouverte. Connexions de fils lâches (appelez un technicien) Les connexions de fils ont besoin d'être nettoyées (appelez un technicien) Thermopile (appelez un technicien)
Chaleur insuffisante ou trop élevée :	Le cadran du thermostat n'est pas réglé à la température souhaitée. Dispositif de commande à maximum déclenché (appelez un technicien) Sonde de température (appelez un technicien)
La cuve ne se vidange pas :	Graisse trop froide. Tuyau de vidange obstrué par des débris.

GARANTIE ORIGINALE LIMITÉE DE L'ÉQUIPEMENT COMMERCIAL DES FRITEUSES À GAZ DE LA SÉRIE GRM

Vulcan garantit que la friteuse à gaz GRM est exempte de vices de matériau et de fabrication pour une période de 1 an à compter de la date d'installation d'origine.

Cette garantie est soumise aux conditions et restrictions suivantes :

1. Cette garantie est limitée au(x) produit(s) vendu(s) par Vulcan à l'utilisateur original dans le territoire continental des États-Unis et du Canada.
2. L'installation d'origine doit être réalisée dans les 18 mois de la date de fabrication, et la preuve de l'installation doit être fournie à Superior/Vulcan.
3. La responsabilité de Vulcan est limitée à la réparation ou au remplacement de toute pièce jugée défectueuse.
4. Tous les frais normaux de main-d'œuvre encourus pour la réparation ou le remplacement d'une pièce garantie du matériel dans un rayon de 50 milles (80 kilomètres) d'un centre de service autorisé seront à la charge de Vulcan. Le temps et les frais de déplacement au-delà de 50 milles (80 kilomètres) seront de la responsabilité de la personne ou de l'entreprise qui demande le service.
5. Cette garantie ne s'applique pas à tout produit qui n'a pas été installé conformément aux instructions publiées dans les guides d'installation et d'utilisation pertinents. Vulcan n'assumera aucune responsabilité ou obligation pour tout produit qui a été manipulé de façon inappropriée, utilisé à mauvais escient, mal appliqué, mal utilisé, exposé à l'action de produits chimiques agressifs, (produits chlorés ou de sulfate), ou à de l'eau de mauvaise qualité, modifié sur place par du personnel non autorisé, endommagé par une inondation, un incendie ou d'autres actes de la nature, ou dont le numéro de série a été modifié ou est effacé.
6. Vulcan ne recommande ni n'autorise l'utilisation de tout produit dans une application non commerciale, y compris mais sans s'y limiter, une utilisation résidentielle. L'utilisation ou l'installation du produit dans une application non commerciale rend toutes les garanties, expresses ou implicites, y compris les garanties de QUALITÉ MARCHANDE et d'ADÉQUATION À UN USAGE PARTICULIER, nulles et non avenues, y compris toute responsabilité pour tout dommage, coût et action juridique résultant de l'utilisation ou l'installation du produit dans un environnement non commercial.
7. Les ajustements tel que pour la calibration, la mise à niveau, le serrage des fixations ou les connexions au service public normalement associés à l'installation d'origine relèvent de l'installateur et non pas de Superior/Vulcan.
8. Exception à la période de garantie de 1 an :
Cuves de friture : Si le réservoir fuit dans les deux premières années d'utilisation à compter de la date d'installation et après une vérification par un technicien autorisé, la cuve de friture sera remplacée sans frais, notamment pour la main d'œuvre, le déplacement, les frais de transport et le kilométrage. Pour les cuves de fritures qui ne sont plus étanches après plus de 2 ans et moins de 5 ans, 25 % du prix courant de la cuve de friture, plus la main d'œuvre, les frais de transport et le kilométrage relèveront de la personne ou de l'entreprise qui demande le service. Pour les cuves de fritures qui ne sont plus étanches après plus de 5 ans et moins de 8 ans, 50 % du prix courant de la cuve de friture, plus la main d'œuvre, les frais de transport et le kilométrage relèveront de la personne ou de l'entreprise qui demande le service. Pour les cuves de fritures qui ne sont plus étanches après plus de 8 ans et moins de 10 ans, 75 % du prix courant de la cuve de friture, plus la main d'œuvre, les frais de transport et le kilométrage relèveront de la personne ou de l'entreprise qui demande le service. Après 10 ans - aucune garantie partielle n'est offerte pour la cuve de friture.
9. Les pièces de rechange d'origine fabriquées par Vulcan seront garanties pour une période de 90 jours à compter de la date de facturation de la pièce. Cette garantie couvre le coût des pièces uniquement, et ne comprend pas les frais de transport et de main-d'œuvre. Les cuves de friture en acier inoxydable font exception et seront garanties tel qu'indiqué à l'article 8.
10. Cette déclaration de garantie énonce le recours exclusif contre Vulcan relativement au(x) produit(s), soit dans le cadre d'un contrat ou d'un délit ou de toute autre théorie juridique, et découlant de garanties, de représentations, d'instructions, de l'installation ou des défauts de toute cause. Vulcan ne pourra être tenu responsable, en vertu de toute théorie juridique, de la perte d'utilisation, de revenus ou de profits ou de l'utilisation ou de la performance substitués, ou des dommages directs, indirects, spéciaux ou consécutifs, ou de toute autre perte de coût de type similaire.
11. CETTE GARANTIE ET LES RESPONSABILITÉS ÉNONCÉES DANS LE PRÉSENT DOCUMENT SONT EXCLUSIVES ET REMPLACENT TOUTES LES RESPONSABILITÉS ET GARANTIES, EXPRESSES OU IMPLICITES, Y COMPRIS MAIS SANS S'Y LIMITER, LES GARANTIES IMPLICITES DE QUALITÉ MARCHANDE ET D'ADÉQUATION À UN USAGE PARTICULIER, ET CETTE GARANTIE CONSTITUE LA SEULE GARANTIE DE VULCAN À L'ÉGARD DU OU DES PRODUIT(S).