



INVENTIVE SIMPLIFICATION

# XAVHC-HCFS

Project \_\_\_\_\_

Item \_\_\_\_\_

Quantity \_\_\_\_\_

Date \_\_\_\_\_

XAVHC-HCFS

## MODEL CHEFTOP MIND.Maps™ PLUS

- VENTLESS HOODS
- Steam condenser
- Electric



### DESCRIPTION

The UNOX steam condensing hood is an ideal solution for installing your CHEFTOP MIND.Maps™ PLUS oven in any point of your kitchen.

Within the hood a self-cleaning filter removes odors and latent heat from the fumes that are expelled through the oven chimney, without the need for maintenance or cleaning work on the filter.

Choosing a UNOX ventless hood is an investment that will save you money.

It allows you to install your CHEFTOP MIND.Maps™ PLUS even without\* a ceiling canopy, or to prefilter the fumes and reduce maintenance on the centralized extraction system.

### WATER CONNECTION

#### SUPPLY

USING A WATER SUPPLY NOT MEETING UNOX'S MINIMUM WATER QUALITY STANDARDS WILL VOID ANY WARRANTY.

It is the responsibility of the purchaser to ensure that the incoming water supply is compliant with the specifications listed through adequate treatment measures.

|                |   |
|----------------|---|
| Line pressure: | Drinking water inlet: 3/4" NPT*,<br>line pressure: 21 to 87 psi; 1.5 to 6 Bar |
|----------------|---|

#### INFLOW WATER SPECIFICATIONS

|               |           |
|---------------|-----------|
| Free chlorine | ≤ 0.1 ppm |
| Chloramine    | 0.1 ppm   |
| TDS           | ≤ 125 ppm |
| Silica        | ≤ 12 ppm  |
| pH            | 7 ÷ 8.5   |

#### CLEANING CIRCUIT: INFLOW WATER SPECIFICATIONS

|                     |                    |
|---------------------|--------------------|
| Total hardness (TH) | ≤ 15°d             |
| Chlorides           | ≤ 35 ppm           |
| Alkalinity          | ≤ 200 ppm as CaCO3 |

### COMPATIBLE OVENS

| LEFT          | RIGHT         |
|---------------|---------------|
| XAVC-10FS-EPL | XAVC-10FS-EPR |
| XAVC-10FS-HPL | XAVC-10FS-HPR |
| XAVC-10FS-GPL | XAVC-10FS-GPR |
| XAVC-06FS-EPL | XAVC-06FS-EPR |
| XAVC-06FS-HPL | XAVC-06FS-HPR |
| XAVC-06FS-GPL | XAVC-06FS-GPR |

### POWER SUPPLY

#### STANDARD

|                         |                |
|-------------------------|----------------|
| Voltage                 | 208-240 V      |
| Phase                   | 1PH+PE         |
| Cycle                   | 60 Hz          |
| Total power             | 0.1 kW         |
| Maximum Amp Draw        | 0.5 A          |
| Required breaker size * | 15 A           |
| Power cable requirement | SJTO 3 x AWG14 |
| Cord diameter           | 0.39"          |
| Plug                    | NEMA 6-15P     |

\* Recommended size - observe local ordinances

### INSTALLATION REQUIREMENTS

Installations must conform to all local electrical systems, specifically Minimum wire gauge required for field connection, hydraulic and ventilation codes.

Register to access data and product specifications  
[infonet.unox.com](http://infonet.unox.com)



With additional EPA 202 test according to UL710B Section 59



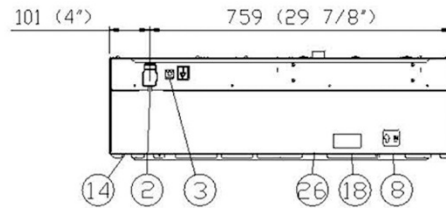
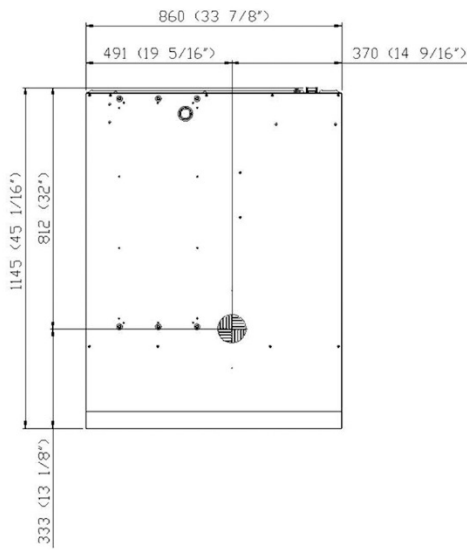
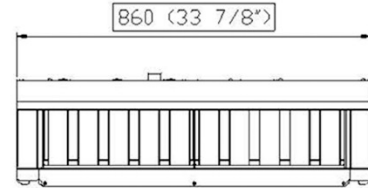
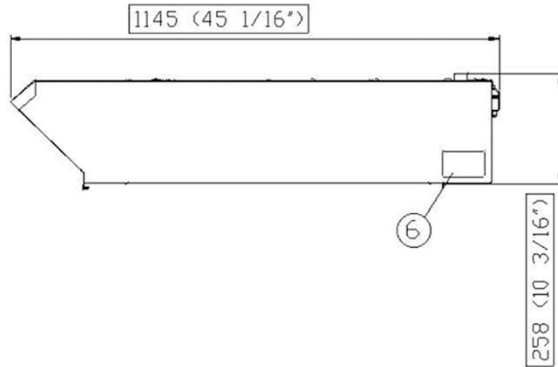


INVENTIVE SIMPLIFICATION

XAVHC-HCFS

# XAVHC-HCFS

Views  
Dimensions and Weights



### DIMENSIONS AND WEIGHT

|            |                    |
|------------|--------------------|
| Width      | 33" 7/8 (860 mm)   |
| Depth      | 45" 1/16 (1145 mm) |
| Height     | 10" 3/16 (258 mm)  |
| Net Weight | 55.11 lbs (25 Kg)  |

### CONNECTION POSITIONS

|    |                             |
|----|-----------------------------|
| 2  | Terminal board power supply |
| 3  | Unipotential terminal       |
| 6  | Technical data plate        |
| 8  | Thread water inlet          |
| 12 | Hot fumes exhaust chimney   |
| 14 | Oven connection cable       |
| 18 | Hot fumes inlet             |
| 26 | Condensate drain            |