



INVENTIVE SIMPLIFICATION

Project _____

Item _____

Quantity _____

Date _____

XAVHC-HC11

XAVHC-HC11

MODEL

CHEFTOP MIND.Maps™ PLUS

- VENTLESS HOODS

- Steam condenser

- Electric



DESCRIPTION

The UNOX steam condensing hood is an ideal solution for installing your CHEFTOP MIND.Maps™ PLUS oven in any point of your kitchen.

Within the hood a self-cleaning filter removes odors and latent heat from the fumes that are expelled through the oven chimney, without the need for maintenance or cleaning work on the filter.

Choosing a UNOX ventless hood is an investment that will save you money.

It allows you to install your CHEFTOP MIND.Maps™ PLUS even without* a ceiling canopy, or to prefilter the fumes and reduce maintenance on the centralized extraction system.

WATER CONNECTION

SUPPLY

USING A WATER SUPPLY NOT MEETING UNOX'S MINIMUM WATER QUALITY STANDARDS WILL VOID ANY WARRANTY.

It is the responsibility of the purchaser to ensure that the incoming water supply is compliant with the specifications listed through adequate treatment measures.

Line pressure:	Drinking water inlet: 3/4" NPT*, line pressure: 21 to 87 psi; 1.5 to 6 Bar
Connection	cold water

INFLOW WATER SPECIFICATIONS

Free chlorine	≤ 0.1 ppm
Chloramine	0.1 ppm
TDS	≤ 125 ppm
Silica	≤ 12 ppm
pH	7 ÷ 8.5

CLEANING CIRCUIT: INFLOW WATER SPECIFICATIONS

Total hardness (TH)	≤ 15°d
Chlorides	≤ 35 ppm
Alkalinity	≤ 200 ppm as CaCO3

COMPATIBLE OVENS

LEFT	RIGHT
XAVC-0511-EPL	XAVC-0511-EPR
XAVC-0511-GPL	XAVC-0511-GPR
XAVC-1011-EPL	XAVC-1011-EPR
XAVC-1011-GPL	XAVC-1011-GPR

POWER SUPPLY

STANDARD

Voltage	208-240 V
Phase	1PH+PE
Cycle	60 Hz
Total power	0.1 kW
Maximum Amp Draw	0.5 A
Required breaker size *	15 A
Power cable requirement	SJTO 3 x AWG14
Cord diameter	0.39"
Plug	NEMA 6-15P

* Recommended size - observe local ordinances

INSTALLATION REQUIREMENTS

Installations must conform to all local electrical systems, specifically Minimum wire gauge required for field connection, hydraulic and ventilation codes.

Register to access data and product specifications
infonet.unox.com



With additional EPA 202 test according to UL710B Section 59



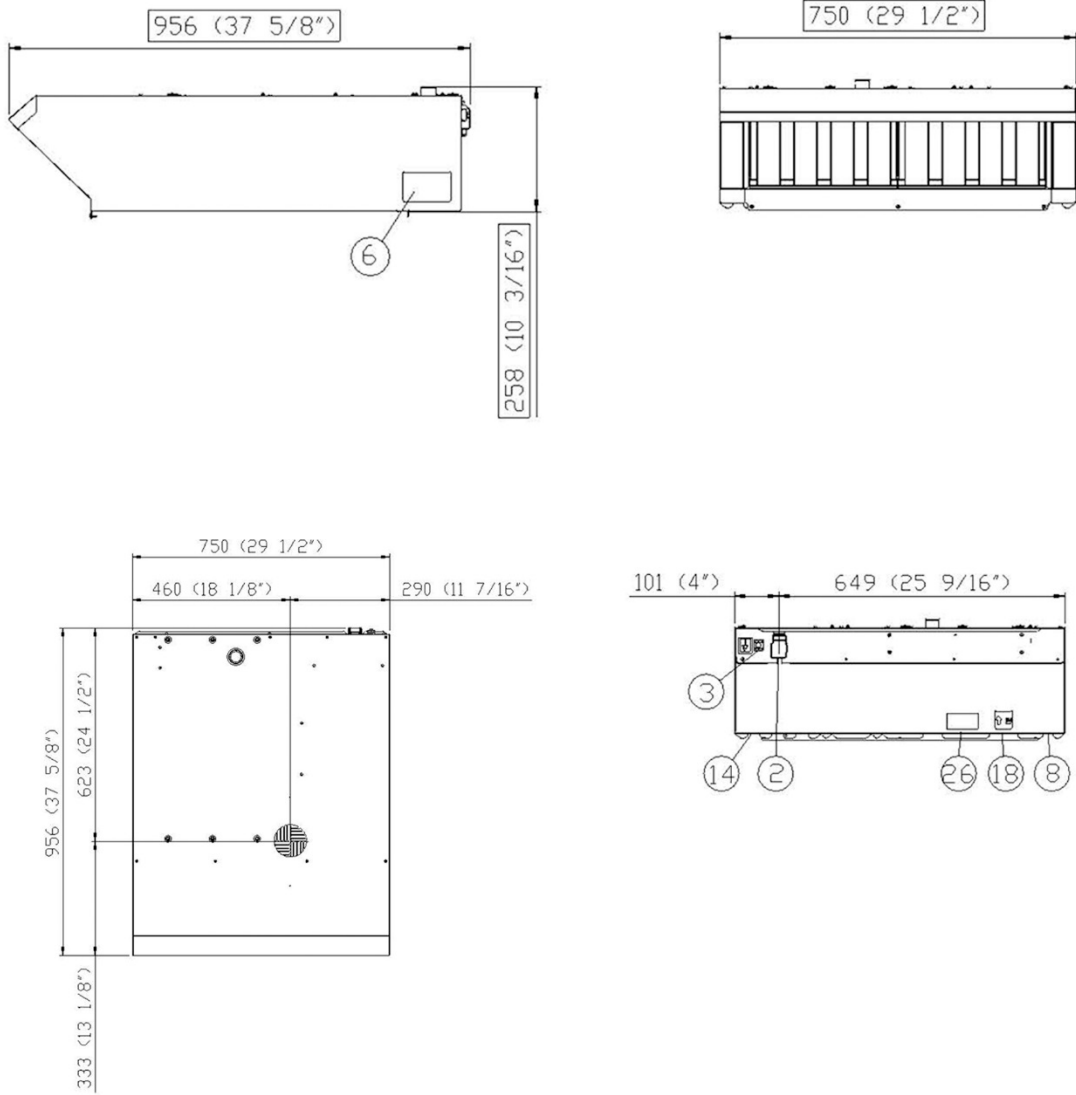


INVENTIVE SIMPLIFICATION

XAVHC-HC11

XAVHC-HC11

Views
Dimensions and Weights



DIMENSIONS AND WEIGHT

Width	29" 1/2 (750 mm)
Depth	37" 5/8 (956 mm)
Height	10" 3/16 (258 mm)
Net Weight	50.70 lbs (23 Kg)

CONNECTION POSITIONS

2	Terminal board power supply
3	Unipotential terminal
6	Technical data plate
8	Thread water inlet
12	Hot fumes exhaust chimney
14	Oven connection cable
18	Hot fumes inlet
26	Condensate drain

We reserve the right to make technical improvements - March: 2018