

FEATURES

- Stainless steel body & interior with aluminum back
- 2 stainless steel insulated doors
- Fan forced cooling system
- Self-evaporation water tray
- Includes 4" heavy duty locking casters
- Includes 2 heavy duty epoxy coated shelves (1 per door)
- Self-closing swing doors with 90 degree stay open feature
- Digital temperature controller & defrost timer
- Heavy duty 1/5 HP Embraco compressor



UCR-60

Model UCR-60

Undercounter Refrigerator

TEMPERATURE

- Interior temperature range: 0°C to 8°C (32°F to 46°F)

WARRANTY

- 2 years parts and labour
7 years compressor warranty
- Extended warranty options available

Project: _____

Date: _____

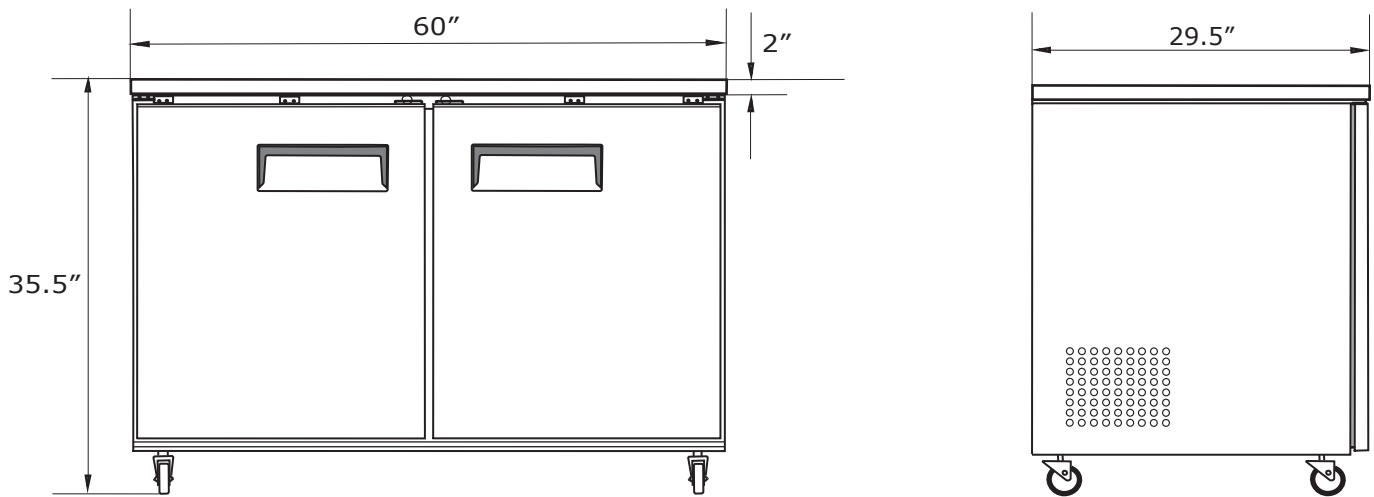
Price: _____

SPECIFICATIONS

Volts (V)	Watts (W)	Amps (A)	Volume (cu./ft)	Refrigerant	Overall Dimensions			Interior Dimensions			Weight	
					Width	Depth	Height	Width	Depth	Height	Net	Gross
115V	333W	2.9A	15	R290	60	29.5	35.5	N/A	N/A	N/A	320 LBS	N/A

Undercounter Refrigerator

Model UCR-60



CERTIFICATIONS:

