

FEATURES

- Stainless steel body & interior with aluminum back
- 2 stainless steel insulated doors
- Fan forced cooling system
- Self-evaporation water tray
- Includes 4" heavy duty locking casters
- Includes 2 heavy duty epoxy coated shelves (1 per door)
- Self-closing swing doors with 90 degree stay open feature
- Digital temperature controller & defrost timer
- Heavy duty 1/2+ HP Embraco compressor



UCF-60

Model UCF-60

Undercounter Freezer

TEMPERATURE

- Interior temperature range: -18°C to -22°C (-0.4°F to -7.6°F)

WARRANTY

- 2 years parts and labour
7 years compressor warranty
- Extended warranty options available

Project: _____

Date: _____

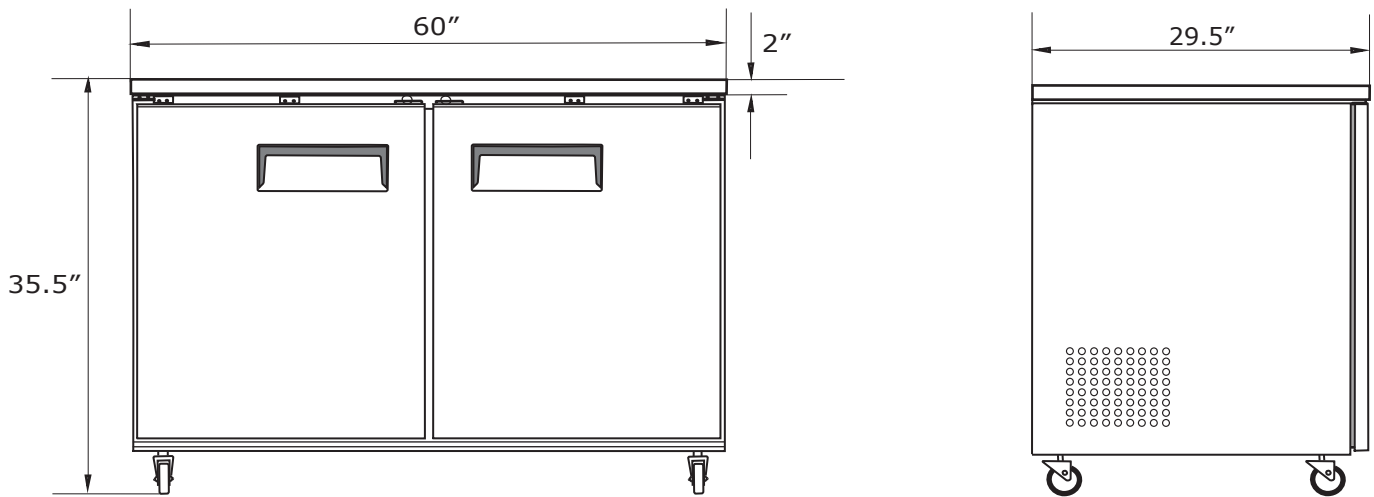
Price: _____

SPECIFICATIONS

Volts (V)	Watts (W)	Amps (A)	Volume (cu./ft)	Refrigerant	Overall Dimensions			Interior Dimensions			Weight	
					Width	Depth	Height	Width	Depth	Height	Net	Gross
115V	736W	6.4A	15	R290	60	29.5	35.5	N/A	N/A	N/A	350 LBS	N/A

Undercounter Freezer

Model UCF-60



CERTIFICATIONS:



NEMA 5-15P