



**U.S.A FOODSERVICE  
DIVISION**

**TRUE MANUFACTURING CO., INC.**

2001 East Terra Lane • O'Fallon, Missouri 63366-4434 • (636)240-2400  
 Fax (636)272-2408 • Toll Free (800)325-6152 • Intl Fax# (001)636-272-7546  
 Parts Dept. (800)424-TRUE • Parts Dept. Fax# (636)272-9471 • www.truemfg.com

Model:

**TDR36-RISZ1-L-S-S-1**

**True Draft Refrigerator:  
Reach-In Single Zone Refrigerator**

PROJECT NAME

LOCATION

ITEM #

QTY

AIA #

MODEL #

SIS #



## FEATURES

- ▶ R290 Hydrocarbon refrigerant
- ▶ Temperatures of 33°F to 38°F (.5°C to 3.3°C)
- ▶ Exterior: Stainless steel
- ▶ Interior: Stainless steel
- ▶ RCU Technology
- ▶ White LED interior lighting
- ▶ NSF/ANSI standard 7 compliant for the storage and/or display of packaged or bottled product
- ▶ UL Rated for outdoor use
- ▶ Three (3) interior access ports
- ▶ Field reversible doors
- ▶ Zero clearance (side and back)
- ▶ Front air intake / front air discharge
- ▶ Electronic temperature control with exterior digital display
- ▶ 15" (381mm) surface mounted drip tray trough
- ▶ 3" (77mm) diameter insulated column with single faucet and 2-way manifold

## ROUGH-IN DATA

Specifications subject to change without notice.  
 Chart dimensions rounded up to the nearest 1/8" (millimeters rounded up to next whole number).

Model	Doors	Shelves	Capacity					Cabinet Dimensions (inches) (mm)			115V/60/1 Voltage			Cord Length† (total ft.) (total m)	Crated Weight (lbs.) (kg)
			Home Brew Barrels	1/6 Barrels	Slim 1/4 Barrels	1/4 Barrels	1/2 Barrels	W	D†	H*	HP	Amps	NEMA		
TDR36-RISZ1-L-S-S-1	1	0	4	3	2	1	1	36 914	24 7/8 631	34 3/4 881	1/2	1.8	5-15P	10 3.04	TBD TBD

† Depth does not include 1 1/2" (35 mm) for door handles.

\* Height does not include 15 3/4" (400 mm) for draft tower or 1/4" (7 mm) for leg levelers

‡ Cord length listed represents usable cord length.



APPROVALS:

AVAILABLE AT:

Model:

**TDR36-RISZ1-L-S-S-1**

# True Draft Refrigerator: Reach-In Single Zone Refrigerator



## ADDITIONAL FEATURES

### REFRIGERATION SYSTEM

- Factory engineered, self-contained, capillary tube system
- Environmentally friendly R290 hydrocarbon refrigerant
- Forced air refrigeration system which maintains 33°F to 38°F (5°C to 3.3°C) product temperatures
- Exclusive RCU technology allows for the reversing of the condenser fan motor, helping to keep the condensing coil clean and reduce the negative effects of a dirty coil

### CABINET CONSTRUCTION

- Exterior: Stainless steel front, sides, and countertop
- Interior: Stainless steel floor and sides with ABS plastic ceiling
- Insulation: Entire cabinet is foamed-in-place using a high density, polyurethane insulation that has zero ozone depletion and zero global warming potential
- Base fitted with leg levelers

### DOORS

- Door locks standard
- Field Reversible Doors standard (reverse hinge kit included)
- Door threshold with reinforced lip

### MODEL FEATURES

- NSF/ANSI standard 7 compliant for the storage and/or display of packaged or bottled product
- UL approved for outdoor use
- Electronic temp control with exterior digital display
- Three (3) access ports standard (see drawing for locations)
- 3" (77mm) diameter insulated column with single faucet and 2-way manifold
- 15" (381mm) surface mounted drip tray trough
- Supplied chill hose directs cold air into draft columns

### ELECTRICAL

- Unit completely pre-wired at factory and ready for final connection to a 115/60/1 phase, 15 amp dedicated outlet. Cord and plug set included.



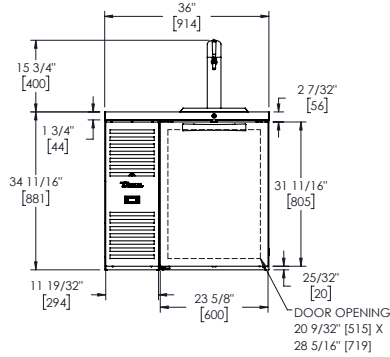
115/60/1  
NEMA-5-15R

### OPTIONAL FEATURES/ACCESSORIES

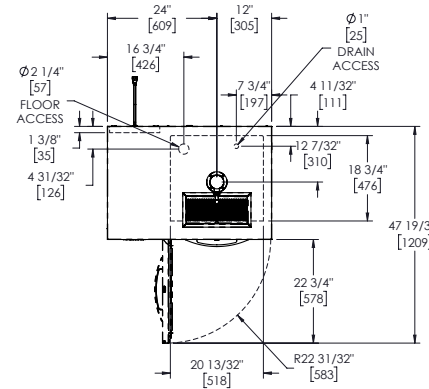
 Upcharge and lead times may apply.

- TruLumina® 14-Color LED lighting
- Castors: 7/8" (23 mm) rollers, 2" (51mm), 3" (77mm), 4" (102mm), 5" (127mm) castors
- 6" (153mm) legs
- 6" (153mm) seismic legs
- Optional draft towers available (contact factory)
- Alternative temperature zones available (contact factory)
- Right side compressor

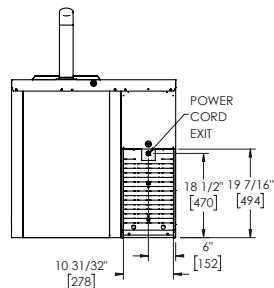
## PLAN VIEW



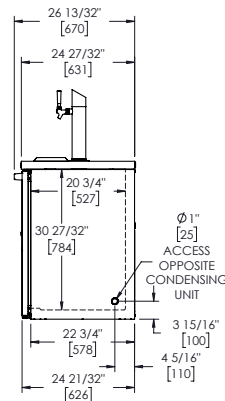
FRONT VIEW



TOP VIEW



BACK VIEW



SIDE VIEW

## KEG CAPACITY

QUARTER / HALF BARREL	1
SLIM QUARTER BARREL	2
SIXTH BARREL	3
HOME BREW BARREL	4

### PLAN VIEW NOTES

- Dimensions in brackets are in millimeters.
- Depth does not include 1 1/2" (35 mm) for door handles.
- Height does not include 15 3/4" (35 mm) for draft tower.
- Height does not include 1/4" (7 mm) for leg levelers

SPECIFICATIONS SUBJECT TO CHANGE WITHOUT NOTICE  
METRIC DIMENSIONS ROUNDED UP TO THE NEAREST WHOLE MILLIMETER



**TRUE MANUFACTURING CO., INC.**

2001 East Terra Lane • O'Fallon, Missouri 63366-4434 • (636)240-2400 • Fax (636)272-2408 • Toll Free (800)325-6152 • Intl. Fax# (001)636-272-7546 • www.truemfg.com