



Project _____
 AIA # _____ SIS # _____
 Item # _____ Quantity _____ C.S.I. Section 114000

UHT SERIES

Compact Undercounter Refrigerator
 32" Models / Self-Contained
 UHT32



STANDARD PRODUCT FEATURES

- Stainless Steel Exterior Top, Sides & Doors
- Anodized Aluminum Interior
- Front Breathing Self-Contained Refrigeration System
- Environmentally Friendly, Non-Flammable R-450A Refrigerant
- Self-Closing Door(s) with Stay-Open Feature at 105 Degrees
- Anodized Aluminum Interior Door Liner
- Electronic Control
- Two (2) Powder Coated Shelves Per Door, Mounted on Pilasters
- Automatic Non-Electric Condensate Evaporator
- Magnetic Snap-In EZ-Clean Door Gasket(s)
- 8' (2.4 m) NEMA Cord & Plug Attached
- Set of Four (4) 4" Casters

ACCESSORIES & OPTIONS (*field installed)

- CK20 (four 6" (15.2cm) high casters for 32" models)
- CK24 (four 3-1/2" (8.9 cm) high casters for 32" models)
- CK26 (four 2-3/4" (6.9 cm) high casters for 32" models)
- CK28 (four 2-1/2" (6.4 cm) high casters for 32" models)
- LK4 (four 6" (15.24 cm) legs for 32" models)
- Shelf CPW2 (additional shelf for 32" models)
- CU32TOP-BSW0 (heavy gauge stainless steel top with 4" (10.2 cm) splash 32")
- Optional accessory kits shipped separately for field installation



This unit is listed to the applicable UL, CSA and NSF Standards by an approved NRTL. Consult the factory or unit's data plate for approval information.

AVAILABLE CONFIGURATIONS

27", 32", 48", 60", 72" Wide Models

Model	Door Style	Hinging
UHT32-L	One Solid Door	Left
UHT32-R	One Solid Door	Right

FACTORY INSTALLED OPTIONS

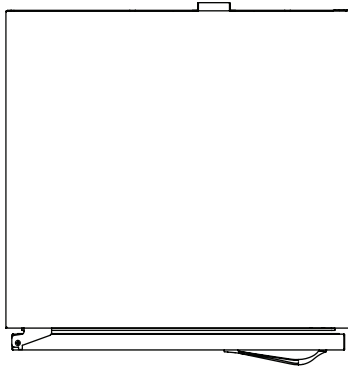
- Stainless Steel Finished Back * Other Door Hinging

Approved by _____ Date _____ Approved by _____ Date _____

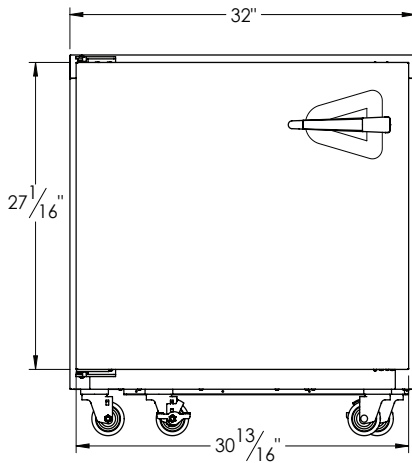
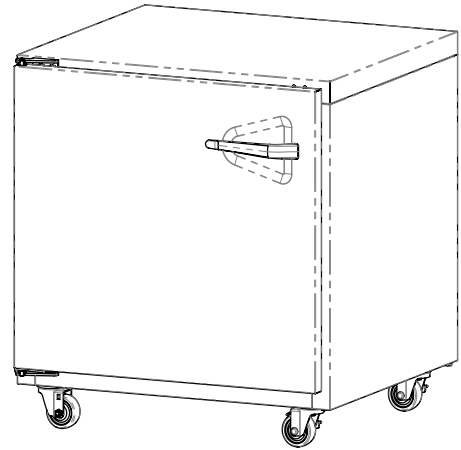


MODELS:

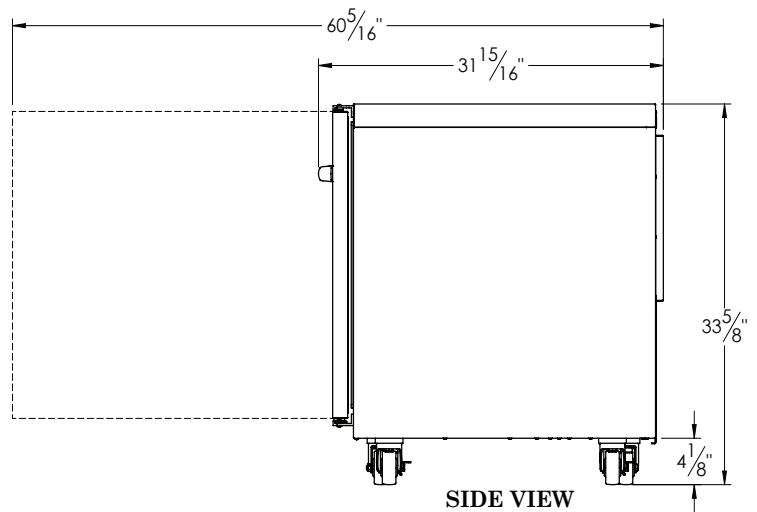
UHT32-L
UHT32-R



TOP VIEW



ELEVATION



SIDE VIEW

CAD and/or Revit Files Available

<https://traulsen.klccad.com/>



UHT SERIES

Compact Undercounter Refrigerator

32" Models / Self-Contained

MODELS:

UHT32-L, UHT32-R

MODELS	UHT32-__
CABINET DIMENSIONAL DATA	
Storage cu. ft.	8.61 [244 l]
Width cabinet in.	32 [81.3 cm]
Width - door in.	30 13/16 [78.3 cm]
Depth - door open 90° in.	60 5/16 [153.2 cm]
Clear door opening in.	28 5/16 [71.9 cm]
# of doors	1
# of shelves	2
Total shelf Area sq. ft.	6.1 [.56 m]
ELECTRICAL DATA	
Voltage Plug	115/60/1 NEMA 5-15P (attached)
Full Load Amps	7.5
MDEC ¹	1.78 kWh/day
REFRIGERATION DATA	
Refrigerant	R-450A
Refrigerant Amount oz.	8.5 [241 g]
BTU ² /HR H.P.	1435 1/4 HP
SHIPPING DATA	
Width Crated in. (cm)	45 [114 cm]
Volume Crated cu. ft.	45 [1274 l]
Weight lbs. - Crated	255 [116 kg]

NOTES:

- MDEC = Maximum Daily Energy Consumption
 - Compressor BTU based on a 90° F (32° C) degree ambient and 20°F (-6° C) degree evaporator.
- When ordering please specify: voltage, hinging and optional accessories.

EQUIPMENT SPECIFICATIONS

CONSTRUCTION, HARDWARE, INSULATION

Cabinet exterior front, one piece sides, and doors are constructed of heavy gauge stainless steel. Cabinet interior and door liners are constructed of anodized aluminum. The exterior cabinet back and bottom are constructed of galvanized steel.

Door self-closes at less than 90 degrees and also includes a stay open feature at 105 degrees. Gasket profile and material simplify cleaning and increase overall gasket life. Both the cabinet and door(s) are insulated with an average of 2" (5 cm) thick high density, non-CFC, foamed in place polyurethane.

REFRIGERATION SYSTEM

A balanced, rear mounted, front breathing, self-contained refrigeration system using environmentally friendly, non-flammable R-450A refrigerant is provided. It features a capillary tube, air cooled 1435 BTU. 1/4 HP, hermetic compressor, a forced air evaporator coil and a non-electric condensate evaporator. An 8' (2.4m) NEMA cord and plug is provided. Standard operating temperature for refrigerator models is 34° to 38°F (1.1° to 3.3°C).

CONTROLLER

An electronic digital control is supplied standard. It includes a 3-Digit LED display, and a Fahrenheit or Celsius temperature scale display capability.

INTERIOR

Standard interior arrangements include two (2) powder coated wire shelves per door, mounted on pilasters. These are adjustable in 1/2" (1.27 cm) increments, allowing for a minimum of 1-1/2" (3.81 cm) spacing between shelves.

DOMESTIC WARRANTY

Both a six year parts and labor warranty and a seven year compressor parts warranty (self-contained models) are provided standard.

CONTINUED PRODUCT DEVELOPMENT MAY NECESSITATE SPECIFICATION CHANGES WITHOUT NOTICE.

CONTINUED PRODUCT DEVELOPMENT MAY NECESSITATE SPECIFICATION CHANGES WITHOUT NOTICE.