

FEATURES

- Stainless steel body & interior with aluminum back
- 2 stainless steel insulated doors
- Fan forced cooling system
- Self-evaporation water tray
- 2 heavy duty epoxy coated shelves (1 per door)
- Includes 10.25" deep sanitary cutting board
- Includes 4" heavy duty locking casters
- Space for 16 PCs of 1/6 size pan inserts (poly carbonate pans included)
- Self-closing swing doors with 90 degree stay open feature
- Digital temperature controller & defrost timer
- Heavy duty 1/4+ HP Embraco compressor



SPT-60-16

TEMPERATURE

- Interior temperature range: 0°C to 8°C (32°F to 46°F)

WARRANTY

- 2 years parts and labour
7 years compressor warranty
- Extended warranty options available

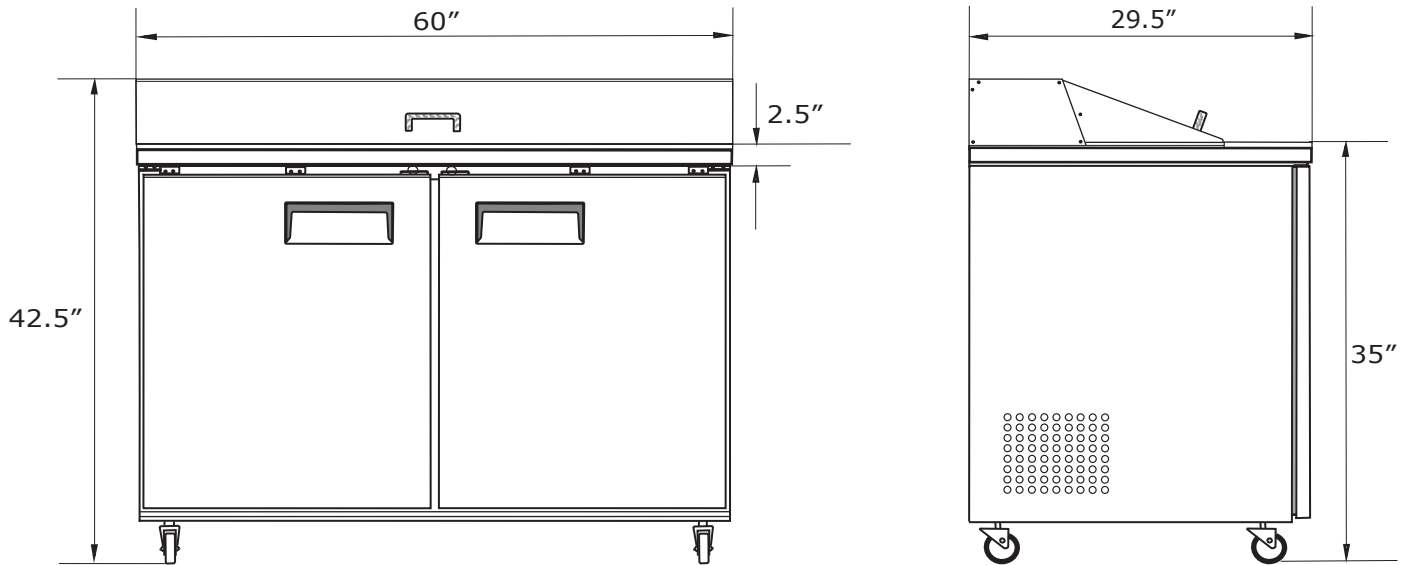
Project: _____

Date: _____

Price: _____

SPECIFICATIONS

Volts (V)	Watts (W)	Amps (A)	Volume (cu./ft)	Refrigerant	Overall Dimensions			Interior Dimensions			Weight	
					Width	Depth	Height	Width	Depth	Height	Net	Gross
115V	552W	4.8A	15	R290	60	29.5	42.5	N/A	N/A	N/A	319 LBS	N/A



Refrigerated Sandwich Prep Table

Model SPT-60-16

CERTIFICATIONS:



NEMA 5-15P

Local: 905-669-8003
Toll Free: 1-833-669-8003

2884 Slough Street, Unit 1
Mississauga, ON Canada