

SOMERSET®

Tel: 978.667.3355

800.772.4404

Fax: 978.671.9466

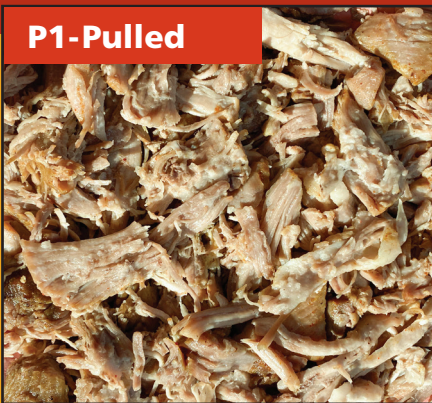
Email: somerset@smrset.com

www.smrset.com



SMS-60 MEAT SHREDDER *Plus*

P1-Pulled



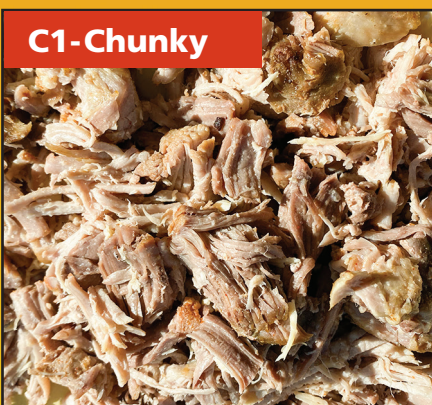
From pulled, chunky, to shredded, this machine does it all

- Increase Production
- Provides Product Consistency
- Saves Ingredients & Labor

S1-Shredded



C1-Chunky



All proteins shred or pull differently depending on preparation of product



Enhance the Taste with Fresh Shredded Ingredients

THE IDEAL SHREDDER THAT SHREDS MEATS, VEGGIES, AND CHEESES IN SECONDS!



No more messy, time-consuming shredding by hand

BBQ • Tex Mex • Sandwich Shops • Pizza Toppings • Restaurants

CHOOSE FROM THREE PLATES

P1-Pulled

S1-Shredded

C1-Chunky



All proteins shred or pull differently depending on preparation of product

The compact SMS-60 SHREDDER is simple to use



1
Place the protein into chamber



2
Rotate handle



3
Finished product drops into bucket!

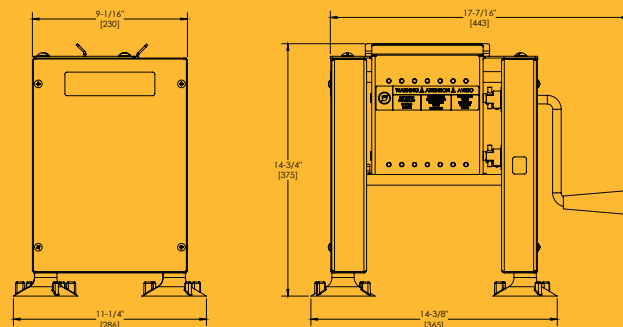
HIGHLIGHTS

- Shred product in minutes
- Safe and easy to use
- All stainless steel
- Sanitary, easy to clean
- Avoids product dryness
- Avoid messy process
- Less waste
- Always a consistent product

IDEAL FOR

- Tacos
- Burritos
- Enchiladas
- BBQ pulled meats
- Meat Sandwiches
- Salads
- Feta cheese
- Pizza toppings

(Specifications subject to change without notice)



PATENT PENDING