

FEATURES

- Stainless steel body with aluminum back
- Stainless steel pan liner to stop food from dropping
- Interior lined with corrosion resistant stainless steel
- Space for 24 PCs of 1/6 size, 6" deep food service pans
- Includes 2 heavy duty epoxy coated shelves (1 per door)
- Includes 2" low profile casters, two with brake
- Self-closing swing doors with 90 degree stay open feature
- Includes acrylic lift off cover, sneeze guard & removable front tray rail
- Digital temperature controller



SBAR-60

TEMPERATURE

- Interior temperature range: 0°C to 8°C (32°F to 46°F)

WARRANTY

- 2 years parts and labour
7 years compressor warranty
- Extended warranty options available

Project: _____

Date: _____

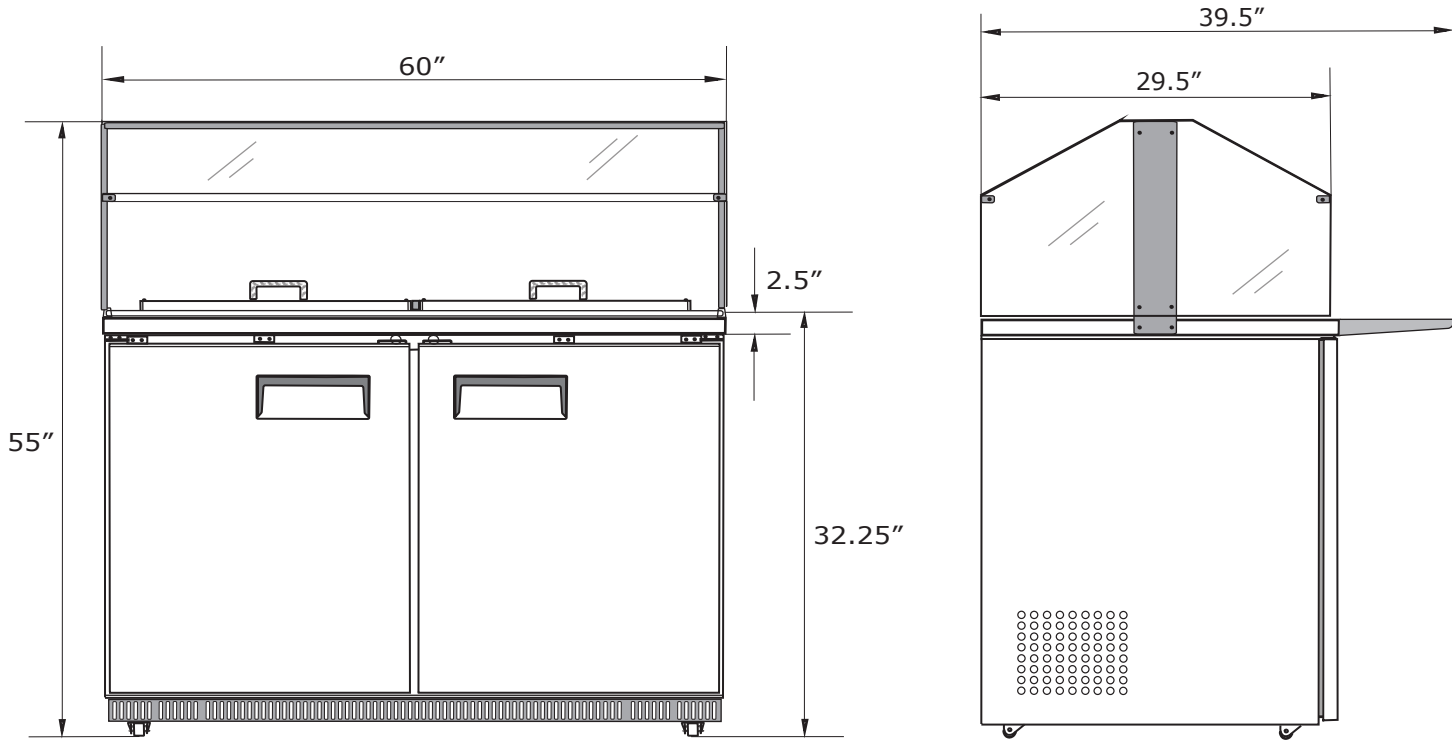
Price: _____

SPECIFICATIONS

| Volts (V) | Watts (W) | Amps (A) | Volume (cu./ft) | Refrigerant | Overall Dimensions | | | Interior Dimensions | | | Weight | |
|-----------|-----------|----------|-----------------|-------------|--------------------|-------|--------|---------------------|-------|--------|---------|-------|
| | | | | | Width | Depth | Height | Width | Depth | Height | Net | Gross |
| 115V | 500W | 5A | N/A | R290 | 60 | 29.5 | 55 | N/A | N/A | N/A | 335 LBS | N/A |

Salad Bar Refrigerator

Model SBAR-60



CERTIFICATIONS:



Local: 905-669-8003
Toll Free: 1-833-669-8003

2884 Slough Street, Unit 1
Mississauga, ON Canada