

FEATURES

- Stainless steel body with aluminum back
- Stainless steel pan liner to stop food from dropping
- Interior lined with corrosion resistant stainless steel
- Space for 18 PCs of 1/6 size, 6" deep food service pans
- Includes 2 heavy duty epoxy coated shelves (1 per door)
- Includes 2" low profile casters, two with brake
- Self-closing swing doors with 90 degree stay open feature
- Includes acrylic lift off cover, sneeze guard & removable front tray rail
- Digital temperature controller



SBAR-48

TEMPERATURE

- Interior temperature range: 0°C to 8°C (32°F to 46°F)

WARRANTY

- 2 years parts and labour
7 years compressor warranty
- Extended warranty options available

Project: _____

Date: _____

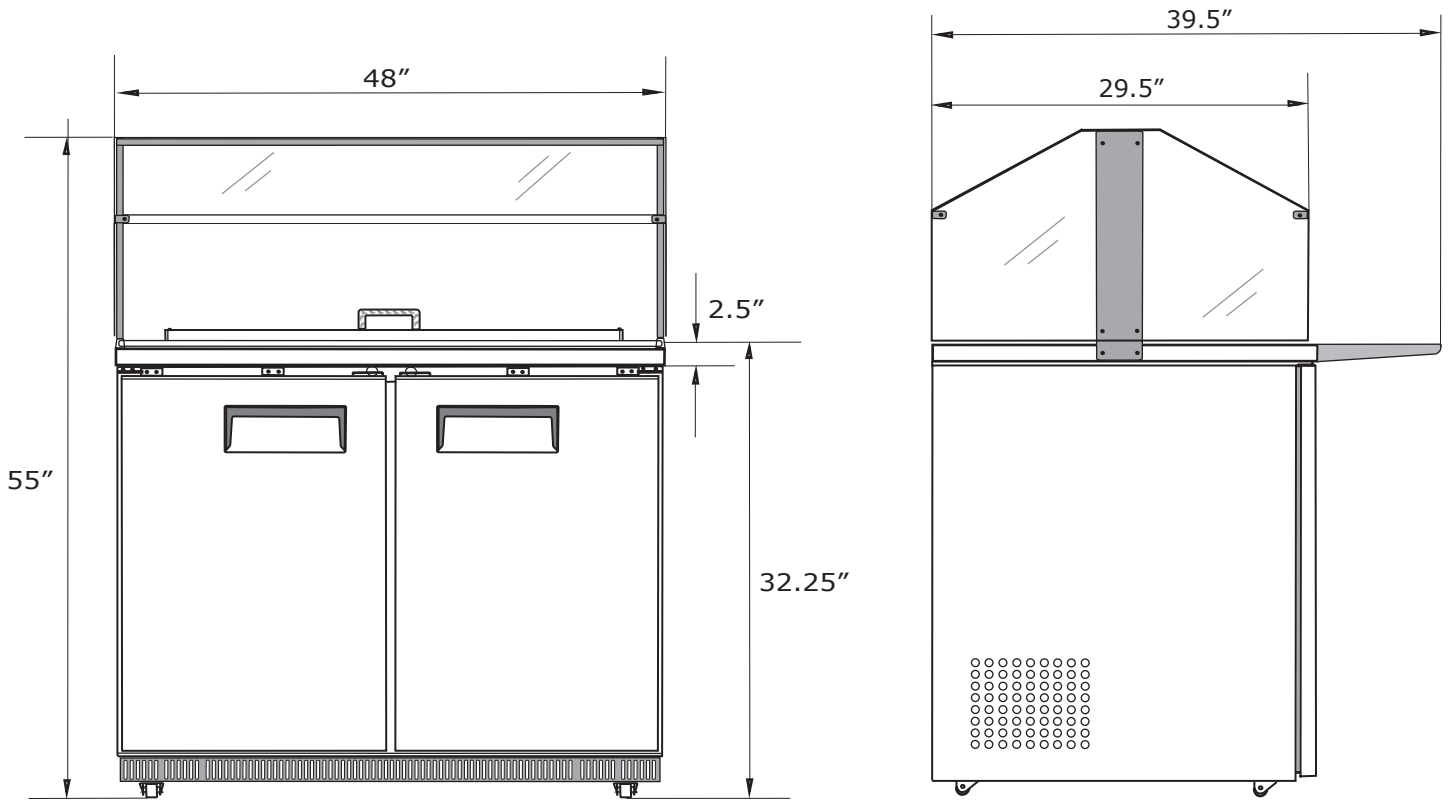
Price: _____

SPECIFICATIONS

Volts (V)	Watts (W)	Amps (A)	Volume (cu./ft)	Refrigerant	Overall Dimensions			Interior Dimensions			Weight	
					Width	Depth	Height	Width	Depth	Height	Net	Gross
115V	500W	5A	N/A	R290	48	29.5	55	N/A	N/A	N/A	280 LBS	N/A

Salad Bar Refrigerator

Model SBAR-48



CERTIFICATIONS:



Local: 905-669-8003
Toll Free: 1-833-669-8003

2884 Slough Street, Unit 1
Mississauga, ON Canada