

## FEATURES

- Stainless steel body with aluminum back
- Stainless steel pan liner to stop food from dropping
- Interior lined with corrosion resistant stainless steel
- Space for 12 PCs of 1/6 size, 6" deep food service pans
- Includes 2 heavy duty epoxy coated shelves (1 per door)
- Includes 2" low profile casters, two with brake
- Self-closing swing doors with 90 degree stay open feature
- Includes acrylic lift off cover, sneeze guard & removable front tray rail
- Digital temperature controller



SBAR-36

## TEMPERATURE

- Interior temperature range: 0°C to 8°C (32°F to 46°F)

## WARRANTY

- 2 years parts and labour  
7 years compressor warranty
- Extended warranty options available

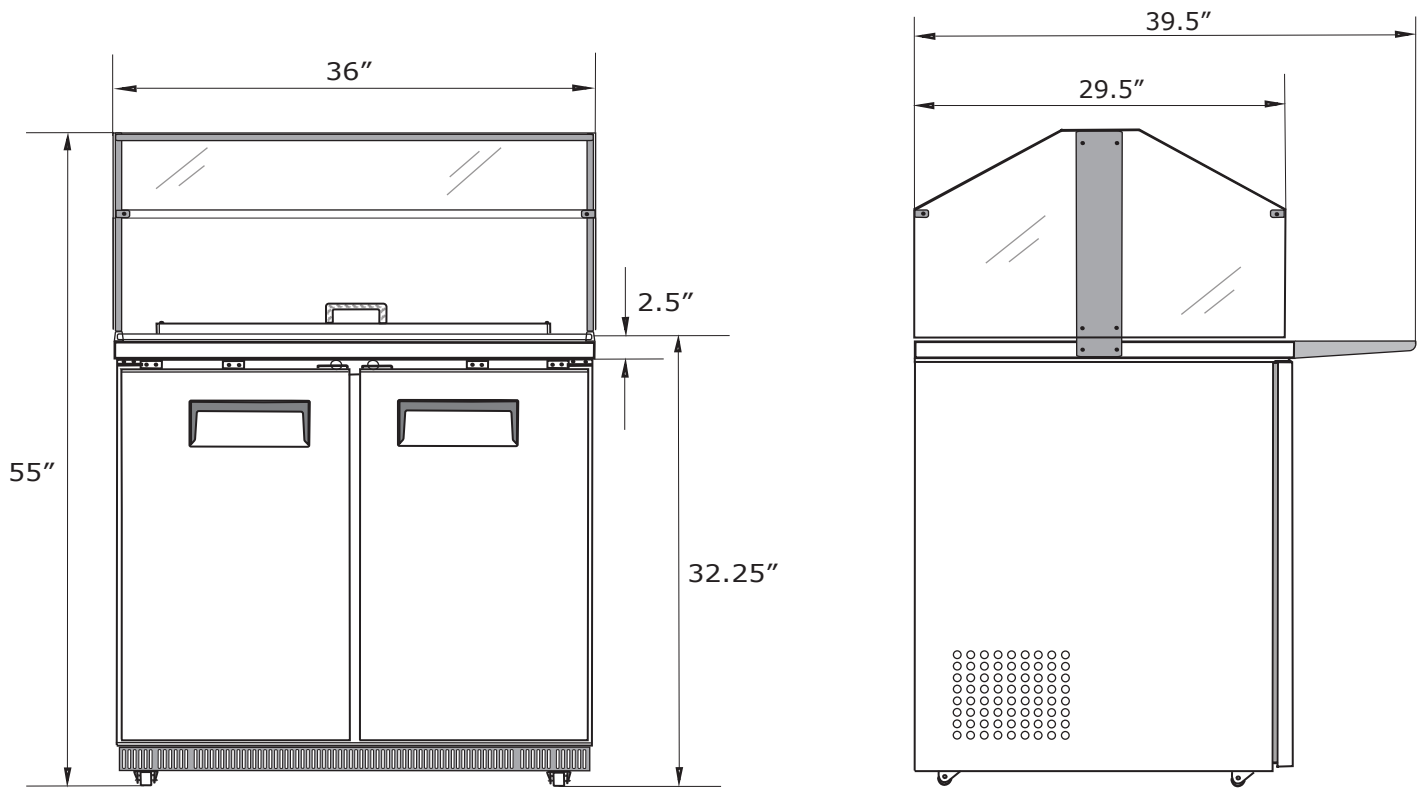
Project: \_\_\_\_\_

Date: \_\_\_\_\_

Price: \_\_\_\_\_

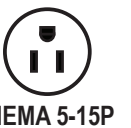
## SPECIFICATIONS

Volts (V)	Watts (W)	Amps (A)	Volume (cu./ft)	Refrigerant	Overall Dimensions			Interior Dimensions			Weight	
					Width	Depth	Height	Width	Depth	Height	Net	Gross
115V	385W	4A	N/A	R290	36	29.5	55	N/A	N/A	N/A	242 LBS	N/A



Salad Bar Refrigerator  
Model SBAR-36

CERTIFICATIONS:



Local: 905-669-8003  
Toll Free: 1-833-669-8003

2884 Slough Street, Unit 1  
Mississauga, ON Canada