

## FEATURES

- High quality stainless steel body & interior
- Top surface has beveled edges to keep equipment securely on the base & contain drips and spills for easy cleanup
- 4 Stainless steel drawers
- Fan forced cooling system
- Self-evaporation water tray
- 2 drawers fit 2 PCs & 2 drawers fit 3 PCs of full size inserts each, 4" deep (pans not included)
- Includes 4" heavy duty locking casters
- Removable condensing unit for easy cleaning & service
- Dixell digital temperature controller & defrost timer
- Heavy duty 1/5 HP Embraco compressor



Model RCB-84

Refrigerated Chef Base

## TEMPERATURE

- Interior temperature range: 0°C to 8°C (32°F to 46°F)

## WARRANTY

- 2 years parts and labour  
7 years compressor warranty
- Extended warranty options available

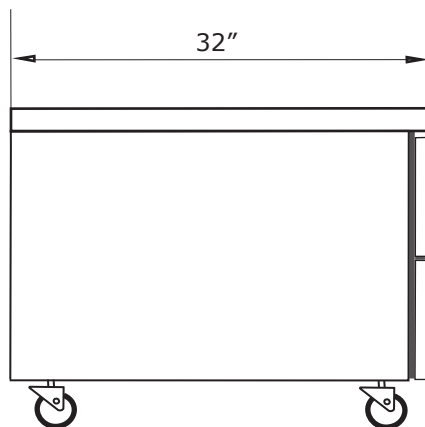
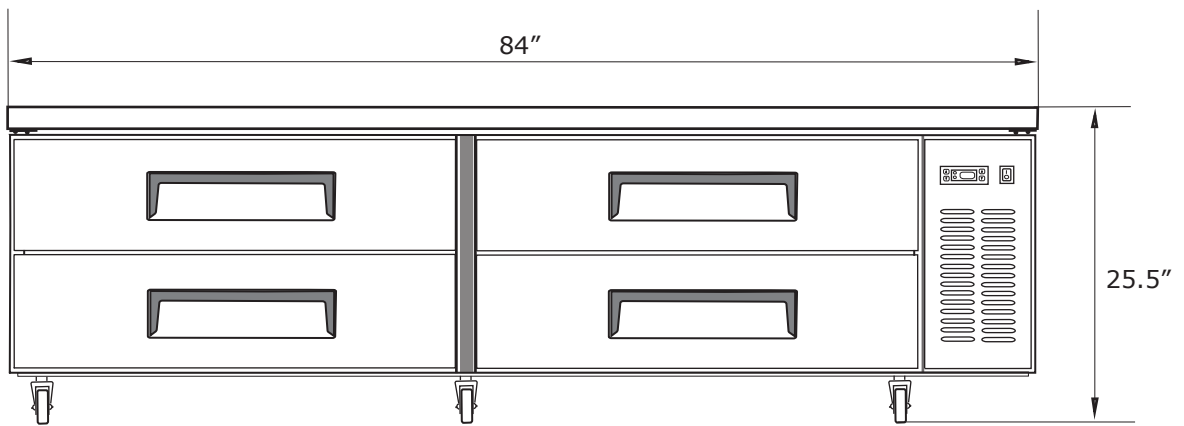
Project: \_\_\_\_\_

Date: \_\_\_\_\_

Price: \_\_\_\_\_

## SPECIFICATIONS

Volts (V)	Watts (W)	Amps (A)	Volume (cu./ft)	Refrigerant	Overall Dimensions			Interior Dimensions			Weight	
					Width	Depth	Height	Width	Depth	Height	Net	Gross
115V	540W	4.7A	19	R290	84	32	25.5	N/A	N/A	N/A	379 LBS	450 LBS



Refrigerated Chef Base

Model RCB-84

CERTIFICATIONS:



NEMA 5-15P

Local: 905-669-8003  
Toll Free: 1-833-669-8003

2884 Slough Street, Unit 1  
Mississauga, ON Canada