



FOOD EQUIPMENT

SERVING THE FOOD INDUSTRY SINCE 1951

SANTOS #55 AUTOMATIC ESPRESSO COFFEE GRINDER

Item: 44637 Model: SANTOS 55

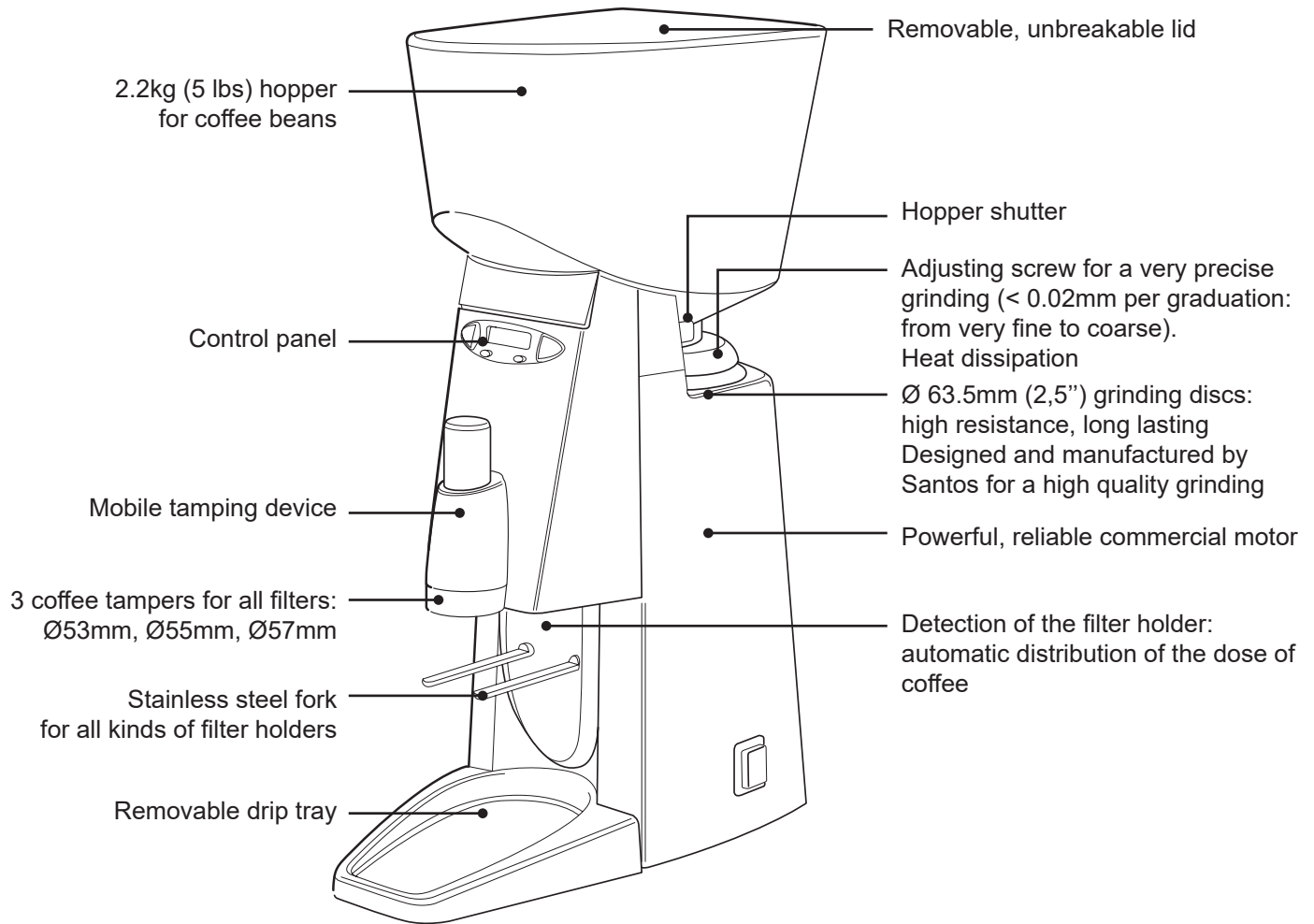


***SERVE FRESH, HIGH QUALITY
GROUND COFFEE ANYTIME!***

Santos' #55 automatic coffee grinder is ideal for bars, hotels, restaurants, and coffee shops. This grinder dispenses the precise dose of coffee for 1 or 2 espressos, directly into the filter holder. It guarantees a fresh ground coffee with all its flavors.



Authorized Dealer



Features:

Powerful and reliable

- Powerful asynchronous motor, very silent
- Sturdy product with aluminium body
- Very efficient and quick: one dose of coffee dispensed in less than 1 second

Quality Grinding

- Fresh ground coffee: no dispenser, coffee beans are ground on demand and dispensed directly into the filter holder
- Santos manufactures its own grinding discs to give you a perfect grinding, constant and fine.

Easy to Use

- 3 tampers (Ø 53mm, Ø 55mm, Ø 57mm) are delivered with the product for all sizes of filter holders.
- Fully automatic: the exact dose of coffee is automatically dispensed when the filter holder is detected.
- Simply adjust the grinding and dosing, and visualize the number of doses distributed thanks to the counter.

OMCAN INC.

Telephone: 1-800-465-0234

Fax: (905) 607-0234

E-mail: sales@omcan.com

Website: www.omcan.com



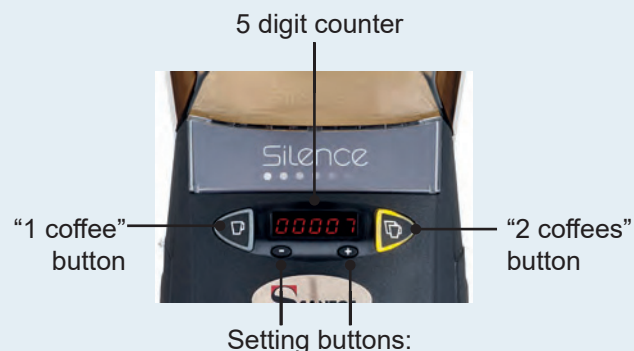
Follow us to keep up to date with the latest news and offers



TECHNICAL SPECIFICATIONS

ITEM NUMBER	44637
MODEL	SANTOS 55
POWER	800W
OUTPUT	Up to 25 kg/hour
VARIABLE SPEED	2800 - 3500 RPM
ELECTRICAL	120V / 60Hz / 1Ph
DIMENSIONS (WDH)	8" x 16" x 23" / 203.2 x 406.4 x 584.2 mm
NET WEIGHT	33 lbs. / 15 kg.
GROSS DIMENSIONS	18" x 10" x 26" / 457.2 x 254 x 660.4 mm
GROSS WEIGHT	37 lbs. / 16.78 kg.

CONTROL PANEL



- To adjust the timer for each dose (2.6g to 20g)
- To select the dose (1 or 2 coffees) and present the filter holder for an automatic distribution of fresh ground coffee
- To visualize the number of doses dispensed on the digit counter (total counter and partial counter)

SAFETY | STANDARDS | HYGIENE

In accordance with the following regulations:

- Machinery directive 2006/42/EC
- Electromagnetic compatibility 2004/108/EC
- "Low voltage" Directive 2006/95/EC
- Regulation 1935/2004/EC (contact with food)
- RoHS directive 2002/95/EC

Harmonized European standards

- EN ISO 12100 - 1 and 2: 2004
- EN 60204-1: 2006
- EN 60335-2-64: 2004 Commercial electrical kitchen machines
- CE (European standards), UL (USA) and cUL (Canada), KC (Korea)

Electric Safety

- On/Off interlock switch is waterproof
- All mechanical parts are ground connected
- Appliances are 100% tested after assembly

Thermal Safety

Motor protected by internal thermal detector.

Acoustic Safety

Very silent and powerful asynchronous motor.

Hygiene

All removable parts can be put in a dishwasher or easily cleaned with hot, soapy water.

OMCAN INC.

Telephone: 1-800-465-0234

Fax: (905) 607-0234

E-mail: sales@omcan.com

Website: www.omcan.com



Follow us to keep up to date with the latest news and offers

