



SERVING THE FOOD INDUSTRY SINCE 1951

## Heavy-Duty Stainless Steel Meat Mixers

ITEM:	48055	48056	48057	48058
MODEL:	MM-IT-0050-ETL	MM-IT-0080-ETL	MM-IT-0120-ETL	MM-IT-0180-ETL



### Effortlessly season large volumes of meat.

Constructed out of stainless steel, this meat mixer will thoroughly and consistently mix meat in much less time making it perfect for butcher shops, supermarkets, and meat processing industries.

This meat mixer features a tilting tank that's equipped with an automatic locking system and safety lock. It uses two stainless steel mixing arms that can be easily removed for cleaning without any tools.

#### FEATURES:

- Modern design and strong AISI 304 stainless steel construction
- Tilting tank with automatic locking system and safety lock
- Stainless steel swivel wheels (2 with locks and 2 without)
- Two mixing arms system
- Removable AISI 304 stainless steel mixing arms (no tools required)
- Total protection of gear box/control panel
- Oil-bath gear box, ground and tempered helical gears
- Double seal on tank and gear box
- ON/OFF/REV IP 67 s/steel controls with : (-manual forward and reverse, timer 1 min, auto reverse 2 min)
- Stainless steel cover with safety microswitch
- Minimum loading required: 40% max

Telephone: 1-800-465-0234

Fax: (905) 607-0234

Email: sales@omcan.com

Website: www.omcan.com



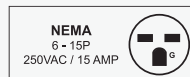
Authorized Dealer



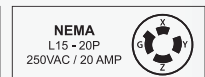
**1 YEAR**  
WARRANTY  
PARTS AND LABOUR



FOR ITEMS 48055/48056



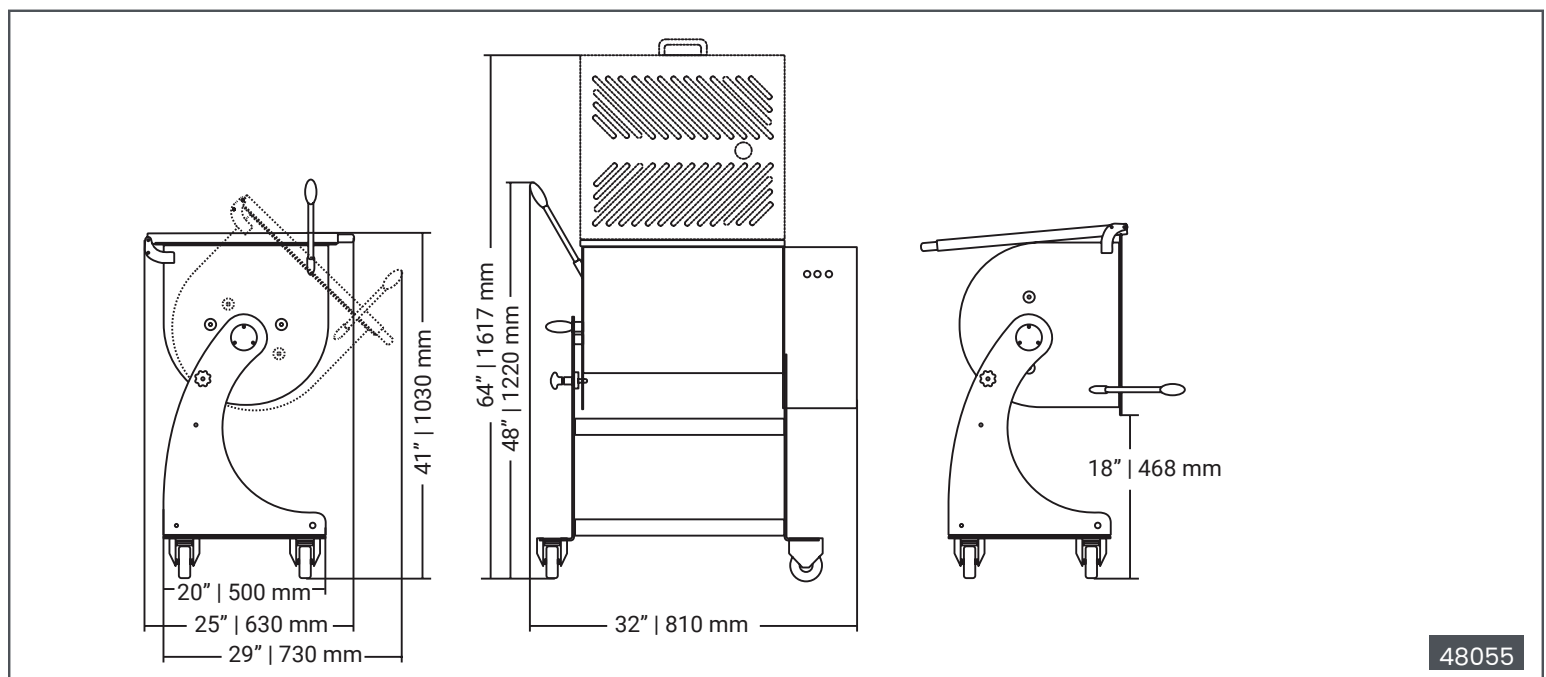
FOR ITEMS 48057/48058



## TECHNICAL SPECIFICATION

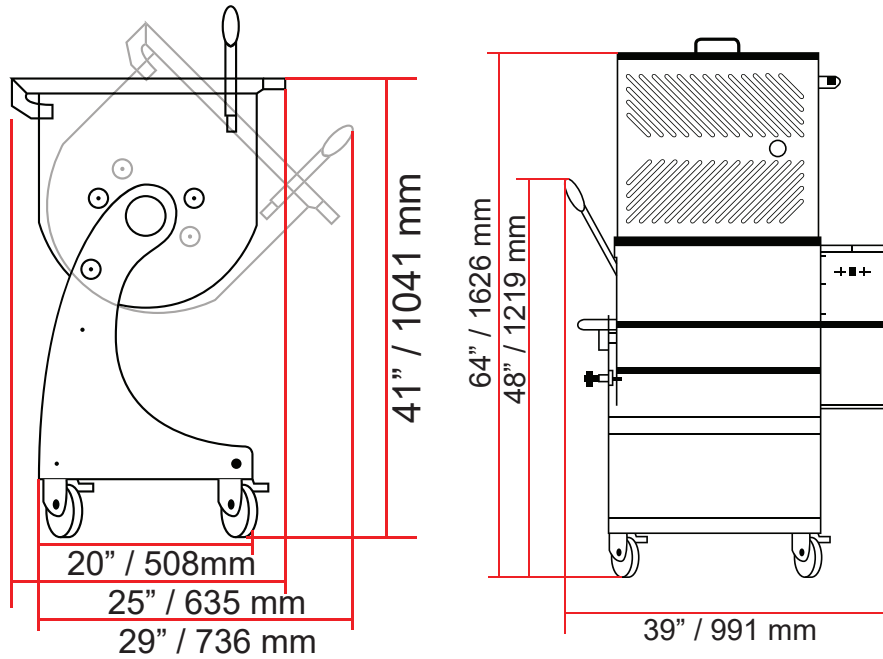
Features	110lb (50kg) Capacity with 1 Phase	176lbs (80kg) Capacity with 1 Phase	265lb / 120kg Capacity with 3 Phase	397lb/180kg Capacity with 3 Phase
Item	48055	48056	48057	48058
Model	MM-IT-0050-ETL	MM-IT-0080-ETL	MM-IT-0120-ETL	MM-IT-0180-ETL
Tank Capacity	23 Gal / 88 L	29 Gal / 110 L	43 Gal / 163 L	66 Gal / 250 L
Mixing Capacity	110 lb. / 50 kg.	176 lb. / 80 kg.	265 lb. / 120 kg.	397 lb. / 180 kg.
Power	0.5 HP / 370 W (x2)	0.75 HP / 550W (x2)	1 HP / 750W (x2)	0.75 HP / 550W (x2)
Amps	15 A	15 A	-	-
Electrical	220V / 60Hz / 1Ph	220V / 60Hz / 1Ph	220V / 60Hz / 3Ph	220V / 60Hz / 3Ph
Tank Dimensions	16.5" x 19.7" / 420 x 500 mm	24" x 20" / 610 x 508 mm	26" x 21.7" / 660 x 551 mm	39.2" x 21.7" / 995 x 550 mm
Net Weight	187 lb. / 85 kg.	198 lb. / 90 kg.	304.2 lbs. / 138 kg.	335 lb. / 152 kg.
Net Dimensions (DWH)	25" x 32" x 41"   630 x 810 x 1030 mm (64" / 1617 mm open door)	25" x 39" x 41" / 635 x 99 x 104 mm	27.6" x 43" x 40.5" / 700 x 1,090 x 1,030 mm	27.6" x 56" x 47.6" / 1422 x 700 x 1209 mm
Gross Weight	241 lb. / 109.5 kg	321 lb. / 145 kg.	368.2 lbs. / 167 kg.	440.9 lb. / 200 kg.
Gross Dimensions (DWH)	26" x 47" x 51" / 1200 x 670 x 1300 mm	40" x 48" x 60" / 1219 x 1016 x 1524 mm	29.5" x 57" x 51.2" / 750 x 1,450 x 1,300 mm	29.9" x 57.1" x 51.2" / 1450 x 760 x 1300 mm
Plug Type	NEMA 6-15P	NEMA 6-15P	NEMA L15-20P	NEMA L15-20P

## TECHNICAL DRAWING

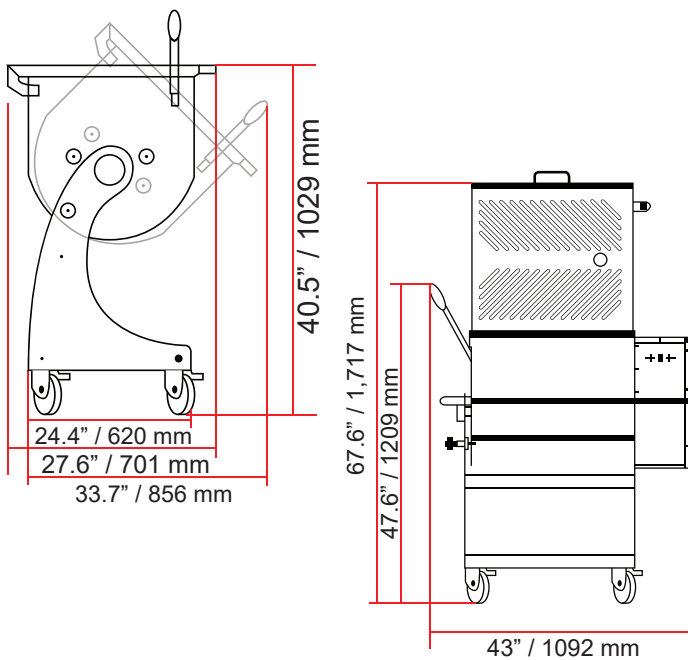


48055

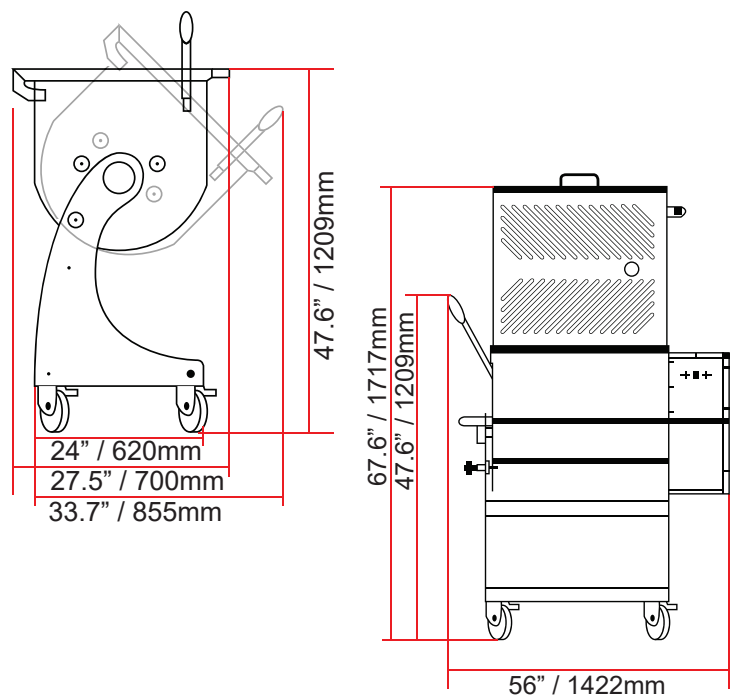
## TECHNICAL DRAWING



48056



48057



48058