



# FOOD EQUIPMENT

SERVING THE FOOD INDUSTRY SINCE 1951

## STAINLESS STEEL HYDRAULIC PISTON SAUSAGE STUFFERS - 48 LB CAPACITY

Item: 45920  
Model: SS-ES-0048-FS

Item: 45869  
Model: SS-ES-0048-FT

Item: 45959  
Model: SS-ES-0048-F



Ergonomic knee lever. Reversible operating direction.



Removable lid, adjustable lid lock nuts with handles.



Speed control & pressure gauge.



3 transparent nozzles,  $\varnothing$  ext 14, 20 and 30 mm. Maximum hygiene, without edges.



OPTIONAL CASTER  
*Sold separately*

Item 69577  
Black Stainless Steel Swivel Caster with Brake



Adjustable anti-vibration feet.



Fully s/s barrel bottom with water draining outlet. Simple cleaning.



**WARRANTY**  
PARTS AND LABOR



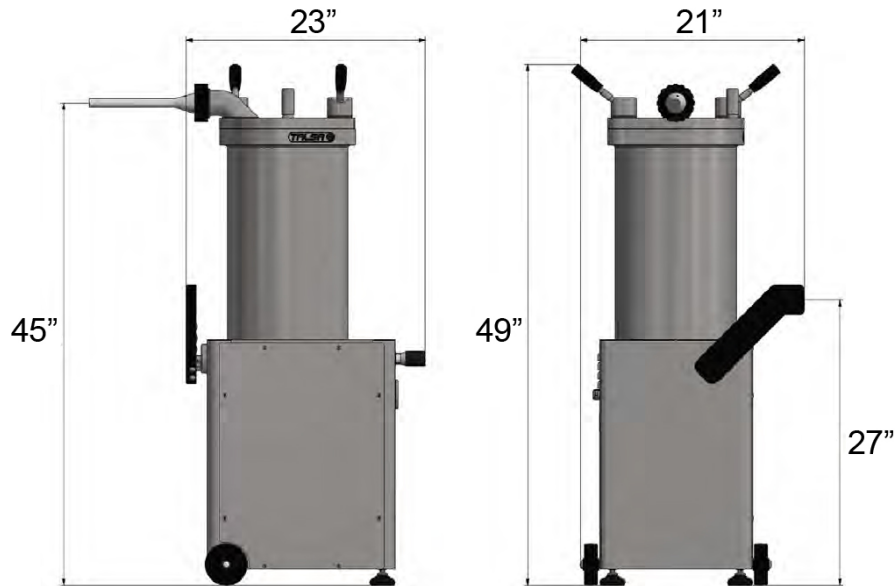
Authorized Dealer

# FOOD EQUIPMENT

STAINLESS STEEL HYDRAULIC PISTON SAUSAGE STUFFERS  
- 48 LB. CAPACITY



TECHNICAL DRAWINGS  
WITH DETAILED DIMENSIONS



## TECHNICAL SPECIFICATIONS

ITEM NUMBER	45920	45869	45959
MODEL	SS-ES-0048-FS	SS-ES-0048-FT	SS-ES-0048-F
POWER	1.75 HP / 1.3 kW	1.5 HP / 1.1 kW	1.75 HP / 1.3 kW
AMPS	18 Amps	5.6 Amps	8.8 Amps
BARREL CAPACITY	25.2 L / 6.6 Gal		
APPROX. MEAT CAPACITY	± 48 lbs. / ± 20 kg.		
OPERATING TEMPERATURE	5°C - 40°C / 40°F - 100°F		
OPERATING RELATIVE HUMIDITY	20% - 90%		
ELECTRICAL	110V / 60Hz / 1Ph	208V / 60Hz / 3Ph	220V / 60Hz / 1Ph
NET WEIGHT	± 310 lbs. / ± 140 kg.		
GROSS WEIGHT	± 350 lbs. / ± 160 kg.		
DIMENSIONS (DWH)	23" x 21" x 49" / 584.2 x 533.4 x 1244.6 mm		
GROSS DIMENSIONS	21" x 27" x 54" / 533.4 x 685.8 x 1371.6 mm		

### OMCAN INC.

Telephone: 1-800-465-0234  
 Fax: (905) 607-0234  
 Email: sales@omcan.com  
 Website: www.omcan.com



Follow us to keep up to date with the latest news and offers

