



FOOD EQUIPMENT

SERVING THE FOOD INDUSTRY SINCE 1951

STAINLESS STEEL HYDRAULIC PISTON SAUSAGE STUFFERS - 65 LB CAPACITY

Item: 45870
Model: SS-ES-0065-F

Item: 46100
Model: SS-ES-0065-FT

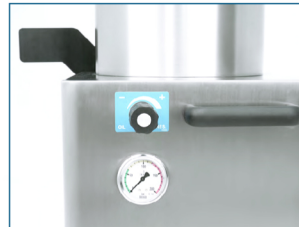
Item: 46101
Model: SS-ES-0065-FS



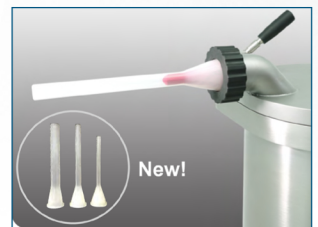
Ergonomic knee lever.
Reversible operating direction.



Removable lid, adjustable lid
lock nuts with handles.



Speed control &
pressure gauge.



New!
3 transparent nozzles, ϕ ext
14, 20 and 30 mm. Maximum
hygiene, without edges.

OPTIONAL CASTER
Sold separately



Item 69577
Black Stainless Steel
Swivel Caster with Brake



Adjustable anti-vibration feet.



Fully s/s barrel bottom
with water draining outlet.
Simple cleaning.



WARRANTY
PARTS AND LABOR



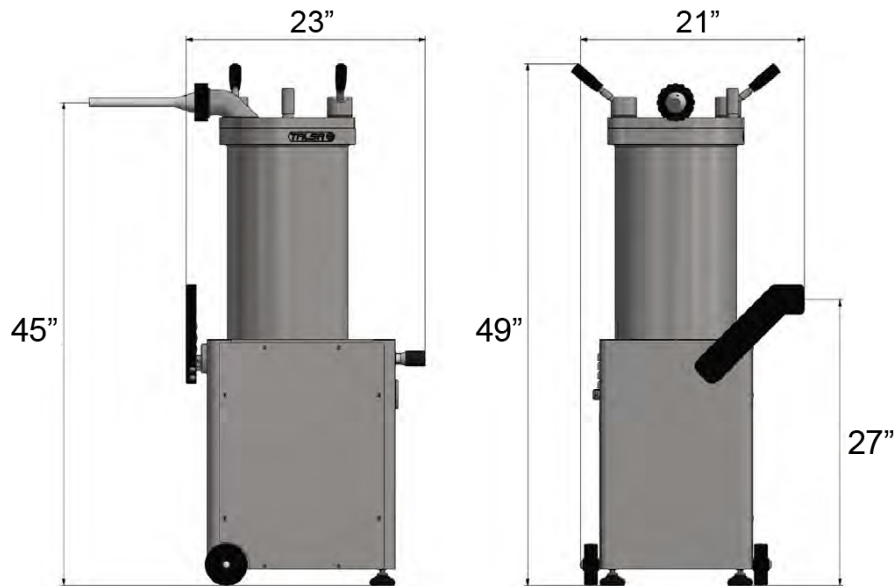
Authorized Dealer

FOOD EQUIPMENT

STAINLESS STEEL HYDRAULIC PISTON SAUSAGE STUFFERS
- 65 LB. CAPACITY



TECHNICAL DRAWINGS
WITH DETAILED DIMENSIONS



TECHNICAL SPECIFICATIONS

ITEM NUMBER	45870	46100*	46101*
MODEL	SS-ES-0065-F	SS-ES-0065-FT	SS-ES-0065-FS
POWER	1.75 HP / 1.3 kW	1.5 HP / 1.10 kW	1.75 HP / 1.3 kW
AMPS	18 Amps	5.6 Amps	8.8 Amps
BARREL CAPACITY	35 L / 9.2 Gal		
APPROX. MEAT CAPACITY	65 lbs. / 28 kg.		
OPERATING TEMPERATURE	5°C - 40°C / 40°F - 100°F		
OPERATING RELATIVE HUMIDITY	20% - 90%		
ELECTRICAL	110V / 60Hz / 1Ph	208-220V / 60Hz / 3Ph	220V / 60Hz / 1Ph
NET WEIGHT	350 lbs. / 160 kg.		
GROSS WEIGHT	400 lbs. / 180 kg.		
DIMENSIONS (DWH)	23" x 21" x 49" / 570 x 530 x 1244.6 mm		
GROSS DIMENSIONS	21" x 27" x 54" / 530 x 680 x 1370 mm		

*QPS Approved

OMCAN INC.

Telephone: 1-800-465-0234
 Fax: (905) 607-0234
 Email: sales@omcan.com
 Website: www.omcan.com



Follow us to keep up to date with the latest news and offers

