



Refrigerated Sushi Showcases

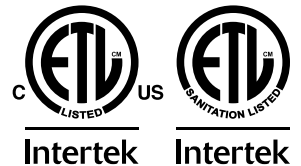
Models RS-CN-0043-SC, 0062-SC, 0083-SC, 0103-SC

Items 43223, 43224, 43225, 43116

Instruction Manual



Revised - 05/02/2023



Toll Free: 1-800-465-0234
Fax: 905-607-0234
Email: service@omcan.com
www.omcan.com



Table of Contents

Model RS-CN-0043-SC / Model RS-CN-0062-SC
Model RS-CN-0083-SC / Model RS-CN-0103-SC

Section	Page
Disclaimer -----	3
General Information -----	4 - 5
Safety and Warranty -----	5 - 7
Technical Specifications -----	8
Operation -----	8 - 10
Maintenance -----	10
Troubleshooting -----	10 - 11
Parts Breakdown -----	12 - 19
Electrical Schematics -----	20
Notes -----	21 - 22
Warranty Registration -----	23

Disclaimer

OMCAN IS NOT RESPONSIBLE FOR ANY DAMAGES DUE TO WATER LEAKS. WARRANTY FOR WATER LEAKS IS VOID IF THE AMBIENT ROOM TEMPERATURE EXCEEDS 75°F AND 55% RELATIVE HUMIDITY, AND THE APPLIANCE DRAIN IS NOT CONNECTED DIRECTLY TO A FLOOR DRAIN.

OMCAN N'EST PAS RESPONSABLE DES DOMMAGES DUS AUX FUITES D'EAU. LA GARANTIE POUR LES FUITES D'EAU EST ANNULÉE SI LA TEMPÉRATURE AMBIANTE DE LA PIÈCE DÉPASSE 75°F ET 55% D'HUMIDITÉ RELATIVE, ET SI LE DRAIN DE L'APPAREIL N'EST PAS RACCORDÉ DIRECTEMENT À UN DRAIN DE PLANCHER.

OMCAN NO SE HACE RESPONSABLE DE LOS DAÑOS CAUSADOS POR FUGAS DE AGUA. LA GARANTÍA POR FUGAS DE AGUA QUEDA ANULADA SI LA TEMPERATURA AMBIENTE SUPERA LOS 75°F Y EL 55% DE HUMEDAD RELATIVA, Y EL DESAGÜE DEL APARATO NO ESTÁ CONECTADO DIRECTAMENTE A UN DESAGÜE DE PISO.

General Information

Omcan Manufacturing and Distributing Company Inc., Food Machinery of America, Inc. dba Omcan and Omcan Inc. are not responsible for any harm or injury caused due to any person's improper or negligent use of this equipment. The product shall only be operated by someone over the age of 18, of sound mind, and not under the influence of any drugs or alcohol, who has been trained in the correct operation of this machine, and is wearing authorized, proper safety clothing. Any modification to the machine voids any warranty, and may cause harm to individuals using the machine or in the vicinity of the machine while in operation.

CHECK PACKAGE UPON ARRIVAL

Upon receipt of an Omcan shipment please inspect for external damage. If no damage is evident on the external packaging, open carton to ensure all ordered items are within the box, and there is no concealed damage to the machine. If the package has suffered rough handling, bumps or damage (visible or concealed), please note it on the bill of lading before accepting the delivery and contact Omcan within 24 hours, so we may initiate a claim with the carrier. A detailed report on the extent of the damage caused to the machine must be filled out within three days, from the delivery date shown in the shipping documents. Omcan has no recourse for damaged products that were shipped collect or third party.

Before operating any equipment, always read and familiarize yourself with all operation and safety instructions.

Omcan would like to thank you for purchasing this machine. It's of the utmost importance to save these instructions for future reference. Also save the original box and packaging for shipping the equipment if servicing or returning of the machine is required.

Omcan Fabrication et distribution Compañie Limité et Food Machinery d'Amérique, dba Omcan et Omcan Inc. ne sont pas responsables de tout dommage ou blessure causé du fait que toute personne ait utilisé cet équipement de façon irrégulière. Le produit ne doit être exploité que par quelqu'un de plus de 18 ans, saine d'esprit, et pas sous l'influence d'une drogue ou d'alcool, qui a été formé pour utiliser cette machine correctement, et est vêtu de vêtements de sécurité approprié. Toute modification de la machine annule toute garantie, et peut causer un préjudice à des personnes utilisant la machine ou des personnes à proximité de la machine pendant son fonctionnement.

VÉRIFIEZ LE COLIS DÈS RÉCEPTION

Dès réception d'une expédition d'Omcan veuillez inspecter pour dommages externes. Si aucun dommage n'est visible sur l'emballage externe, ouvrez le carton afin de s'assurer que tous les éléments commandés sont dans la boîte, et il n'y a aucun dommage dissimulé à la machine. Si le colis n'a subi aucune mauvaises manipulations, de bosses ou de dommages (visible ou cachée), notez-le sur le bond de livraison avant d'accepter la livraison et contactez Omcan dans les 24 heures qui suivent, pour que nous puissions engager une réclamation auprès du transporteur. Un rapport détaillé sur l'étendue des dommages causés à la machine doit être rempli dans un délai de trois jours, à compter de la date de livraison indiquée dans les documents d'expédition. Omcan n'a aucun droit de recours pour les produits endommagés qui ont été expédiés ou cueilli par un tiers transporteur.



General Information

Avant d'utiliser n'importe quel équipement, toujours lire et vous familiariser avec toutes les opérations et les consignes de sécurité.

Omcan voudrais vous remercier d'avoir choisi cette machine. Il est primordial de conserver ces instructions pour une référence ultérieure. Également conservez la boîte originale et l'emballage pour l'expédition de l'équipement si l'entretien ou le retour de la machine est nécessaire.

Omcan Empresa De Fabricacion Y Distribucion Inc. Y Maquinaria De Alimentos De America, Inc. dba Omcan y Omcan Inc. no son responsables de ningun daño o perjuicio causado por cualquier persona inadecuada o el uso descuidado de este equipo. El producto solo podra ser operado por una persona mayor de 18 años, en su sano juicio y no bajo alguna influencia de droga o alcohol, y que este ha sido entrenado en el correcto funcionamiento de esta máquina, y ésta usando ropa apropiada y autorizada. Cualquier modificación a la máquina anula la garantía y puede causar daños a las personas usando la máquina mientras esta en el funcionamiento.

REVISE EL PAQUETE A SU LLEGADA

Tras la recepcion de un envio Omcan favor inspeccionar daños externos. Si no hay daños evidentes en el empaque exterior, Habra el carton para asegurarse que todos los articulos solicitados estén dentro de la caja y no encuentre daños ocultos en la máquina. Si el paquete ha sufrido un manejo de poco cuidado, golpes o daños (visible o oculto) por favor anote en la factura antes de aceptar la entrega y contacte Omcan dentro de las 24 horas, de modo que podamos iniciar una reclamación con la compañía. Un informe detallado sobre los daños causados a la máquina debe ser llenado en el plazo de tres días, desde la fecha de entrega que se muestra en los documentos de envío. Omcan no tiene ningun recurso por productos dañados que se enviaron a recoger por terceros.

Antes de utilizar cualquier equipo, siempre lea y familiarizarse con todas las instrucciones de funcionamiento y seguridad.

Omcan le gustaría darle las gracias por la compra de esta máquina. Es de la mayor importancia para salvar estas instrucciones para futuras consultas. Además, guarda la caja original y el embalaje para el envío del equipo si servicio técnico o devolución de la máquina que se requiere.

Safety and Warranty

Handle with care	Dry place
Unplug the wall socket first. Never tilt it over 45 degrees when handling.	Always place the refrigerator in a dry location.

Safety and Warranty

<p>Sufficient space The distance from both sides and back of refrigerator to wall or other substance must be no less than 10 cm (4"). The refrigeration capability may decrease if its surrounding space is too small to circulate air.</p>	<p>Well ventilated Always place the refrigerator in an area with proper ventilation. When using for the first time, wait at least 2 hours after handling to start.</p>
<p>Far from heat source Never place the refrigerator under direct sunlight. Never place refrigerator near heat source, as it reduces refrigeration capabilities.</p>	<p>Heavy load Never put any heavy objects on top of the refrigerator.</p>
<p>Do not make holes Never make any holes on the refrigerator. Do not attach any objects onto the refrigerator.</p>	<p>Stable Location Unpack and place the refrigerator on level and stable ground.</p>
<p>Exclusive power socket Normally, the power supply should be 110-120V, 60 Hz single phase AC with exclusive single phase receptacle.</p>	<p>Do not share the socket Never let the refrigerator share a socket with another appliance. The cable may become hot and this may cause a fire.</p> <p>DO NOT USE EXTENSION CORDS.</p>
<p>Protect cables Never break or damage the cables as this may cause current leakage resulting in a fire.</p>	<p>No water flushing Never spray down refrigerator with pressurized water supply.</p>
<p>Avoid flammable and explosive objects Never put any flammable or explosive items inside the refrigerator such as gasoline or alcohol. Never put any dangerous products in close proximity to the refrigerator.</p>	<p>No spray Do not spray the unit with a flammable substance such as paint. This may result in a fire.</p>
<p>After power break After power break or unplugging the refrigerator, always wait at least 4 minutes before starting the refrigerator again.</p>	<p>Medical Storage No medicine is allowed to be kept inside the refrigerator.</p>

WARNING: THE SUSHI MUST BE KEPT AT 5°C / 41°F OR LOWER DURING TRANSPORTATION, STORAGE AND DISPLAY. FAILURE TO DO SO CAN RESULT IN THE GROWTH OF FOOD BORNE ILLNESS'.

RESIDENTIAL USERS: Vendor assumes no liability for parts or labor coverage for component failure or other damages resulting from installation in non-commercial or residential applications. The right is reserved to deny shipment for residential usage; if this occurs, you will be notified as soon as possible.

1 YEAR PARTS AND LABOUR WARRANTY

Within the warranty period, contact Omcan Inc. at 1-800-465-0234 to schedule an Omcan authorized

Safety and Warranty

service technician to repair the equipment locally.

Unauthorized maintenance will void the warranty. Warranty covers electrical and part failures, not improper use.

Please see <https://omcan.com/disclaimer> for complete info.

WARNING:

The packaging components are classified as normal solid urban waste and can therefore be disposed of without difficulty.

In any case, for suitable recycling, we suggest disposing of the products separately (differentiated waste) according to the current norms.

DO NOT DISCARD ANY PACKAGING MATERIALS IN THE ENVIRONMENT!

WARNING: The unit uses R290 refrigerant. Make sure that all precautions against fire have been taken.

MEANING OF CROSSED OUT WHEELED DUSTBIN

Do not dispose of electrical appliances as unsorted municipal waste, use separate collection facility. Contact your local government for information regarding the collection systems available.



Technical Specifications

Model	RS-CN-0043-SC	RS-CN-0063-SC	RS-CN-0083-SC	RS-CN-0103-SC
Volume	43 L / 1.52 cu.ft.	63 L / 2.22 cu.ft.	83 L / 2.93 cu.ft.	103 L / 3.64 cu.ft.
Power	0.18 kW			
Consumption	1.3648 kW/h	1.6344 kW/h	1.7365 kW/h	1.6814 kW/h
Temperature Range	0 - 12°C / 32 - 53.6°F			
Max Ambient Temp Rating	24°C / 75°F			
Refrigerant	R290			
Electrical	110-120V / 60Hz / 1			
Dimensions	44.5" x 17.7" x 13" 1130 x 450 x 330mm	51.5" x 17.7" x 13" 1308 x 450 x 330mm	58.4" x 17.7" x 13" 1483 x 450 x 330mm	69" x 17.7" x 13" 1754 x 450 x 330mm
Packaging Dimensions	46.7" x 20" x 15" 1186 x 508 x 381mm	53.7" x 20" x 15" 1364 x 508 x 381mm	60.6" x 20.1" x 15" 1539 x 511 x 381mm	71.3" x 20" x 15" 1810 x 510 x 380mm
Weight	72.8 lbs. / 33 kgs.	79.4 lbs. / 36 kgs.	86 lbs. / 39 kgs.	97 lbs. / 44 kgs.
Packaging Weight	79.4 lbs. / 36 kgs.	88.2 lbs. / 40 kgs.	94.8 lbs. / 43 kgs.	105.8 lbs. / 48 kgs.
Item Number	43223	43224	43225	43116

NOTE

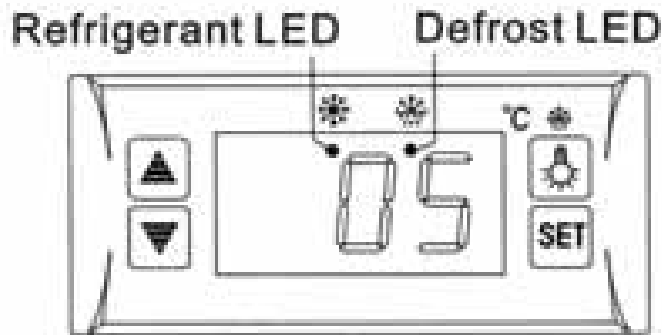
- The electric circuit diagram and parameters on the product name plate are subject to change without the manufacturer having to change the manual.
- The design might be improved without notice.
- If the power cord is damaged, it must be replaced by the manufacturer, its service agent or a qualified electrician in order to avoid injury.

Operation

BEFORE USE

Plug the refrigerator in a 110-120V~ socket exclusively for the unit. After the refrigerator is running, test the air suction to confirm it is sufficiently cold. Then you may put food inside the unit. Make sure the food product is already cooled before placing it in the display case. The unit should not be used to cool food products.



DIGITAL TEMPERATURE CONTROLLER



Features of the Controller:

- It is a mini sized and integrated intelligent controller and applicable to the compressor of one Hp.
- The main functions are: Temperature Display/Temperature Control/Manual, Automatic Defrost by Burning Off/Light Control/Value Storing/Self Testing/Parameter Locking.

Controller Operation:

1. Set Temperature: Press **SET** button, the set temperature is displayed. Press ▲ or ▼ button to modify and store the displayed value. Press **SET** button to exit the adjustment and display the cold-room temperature.
2. If no more button is pressed within 10 seconds, the cold-room temperature will be displayed.
3. Illumination: Press  button, it lights; Press again, it stops. Manual start/stop defrost: Press  button and hold for 6 seconds to defrost or stop defrost.
4. Refrigerant LED: During refrigeration, the LED is on; When the cold room temperature is constant, the LED is off; During the delay start, the LED flashes.
5. Defrost LED: during defrosting, the LED is on; When it stops defrosting, the LED is off, During the delay display of defrost, the LED flashes.

CAUTION

- Reducing the frequency of opening the refrigerator door will keep more cold air inside the refrigerator.
- Do not block air suction or outlet. Air must continue circulating to increase refrigeration capability.
- Do not over fill or over stock the refrigerator, as it will influence the cooling effect. Adjust the rack height for proper food storage.
- Cool hot food down to room temperature before storing it in the refrigerator.
- Try to reduce open times and keep refrigerator cold and closed, if power is ever off. Only allow a skilled service individual with proper tools to repair damaged power cables. Never touch compressor, as it can result in injury.
- If supply cord is damaged, it must be replaced by the manufacturer, its service agent, or similarly qualified persons in order to avoid a hazard.
- This appliance is not intended for use by persons (including children) with reduced physical, sensory or mental capabilities, or lack of experience and knowledge, unless they have been given supervision or instruction concerning use of the appliance by a person responsible for their safety.
- Children should be supervised to ensure that they do not play with the appliance.

Operation

WARNING: Keep ventilation openings, in the appliance enclosure or in the built-in structure, clear of obstruction.

WARNING: Do not use mechanical devices or other means to accelerate the defrosting process, other than those recommended by the manufacturer.

WARNING: Do not damage the refrigerant circuit.

WARNING: Do not use electrical appliances inside the food storage compartments of the appliance, unless they are of the type recommended by the manufacturer.



CAUTION: Risk of fire. The height of the triangle in the symbol shall be at least 15mm.

Maintenance

Keep the refrigerator clean and periodical maintenance is necessary. Always unplug the socket before maintenance. Never use damaged plug or loose socket to prevent from electric shock or short circuit. Never flush the refrigerator. Never use alkali detergent, soap, gasoline, acetone or brush.

1. Clean outside:
Dip soft cloth in neutral detergent (tableware detergent) to clean the outside of the refrigerator and then wipe it with dry soft cloth.
2. Clean inside:
Take rack out for cleaning with water. Use soft cloth to wipe the box.
3. Shut down refrigerator for a long time:
Take all food out and unplug the wall socket. Clean both inside and outside of the refrigerator thoroughly and open the door for sufficient dry. The glass breaks easily. Keep the glass far from children.
4. Replacement of lamp in the light box:
If the LED lamp is damaged, it must be replaced by the manufacturer, or its service agent.

Troubleshooting

Trouble	Cause	Remedy
No refrigeration.	Is the plug in the socket correctly?	Check the plug.
	Is the fuse broken?	Check fuse and replace if needed.
	Is there no power from the socket?	Plug another unit into the socket to check if it works.

Troubleshooting

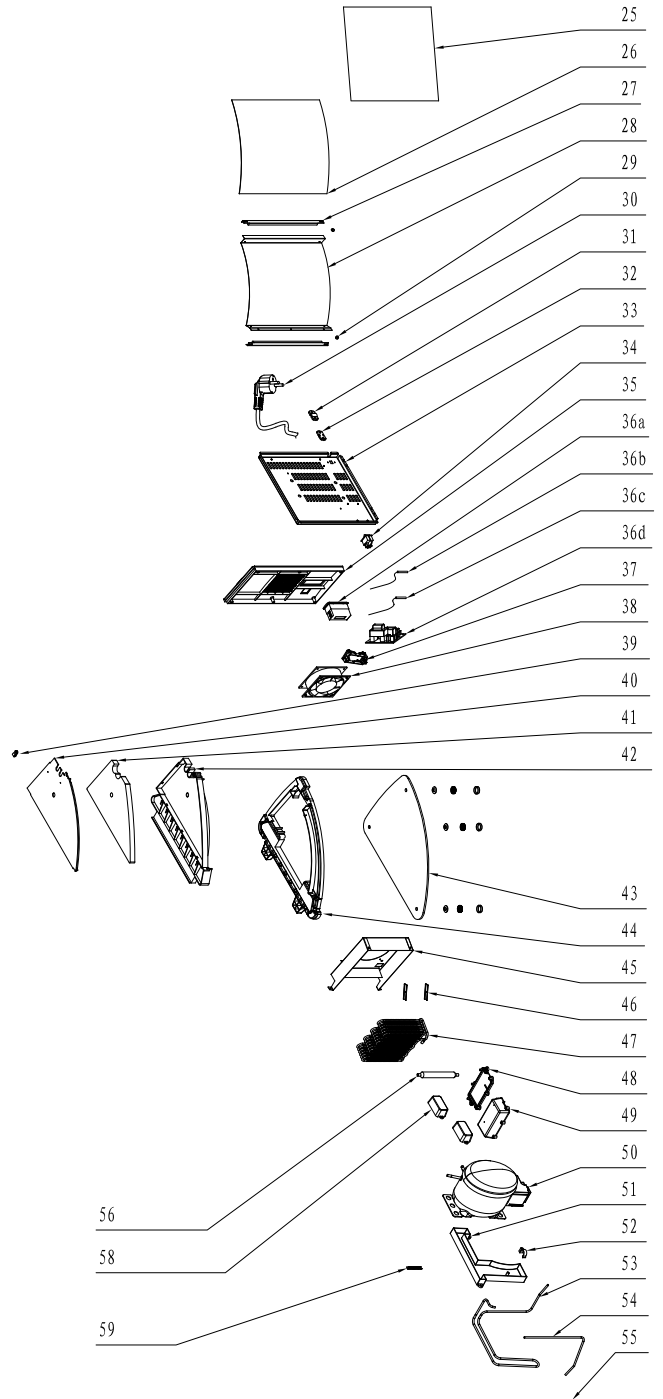
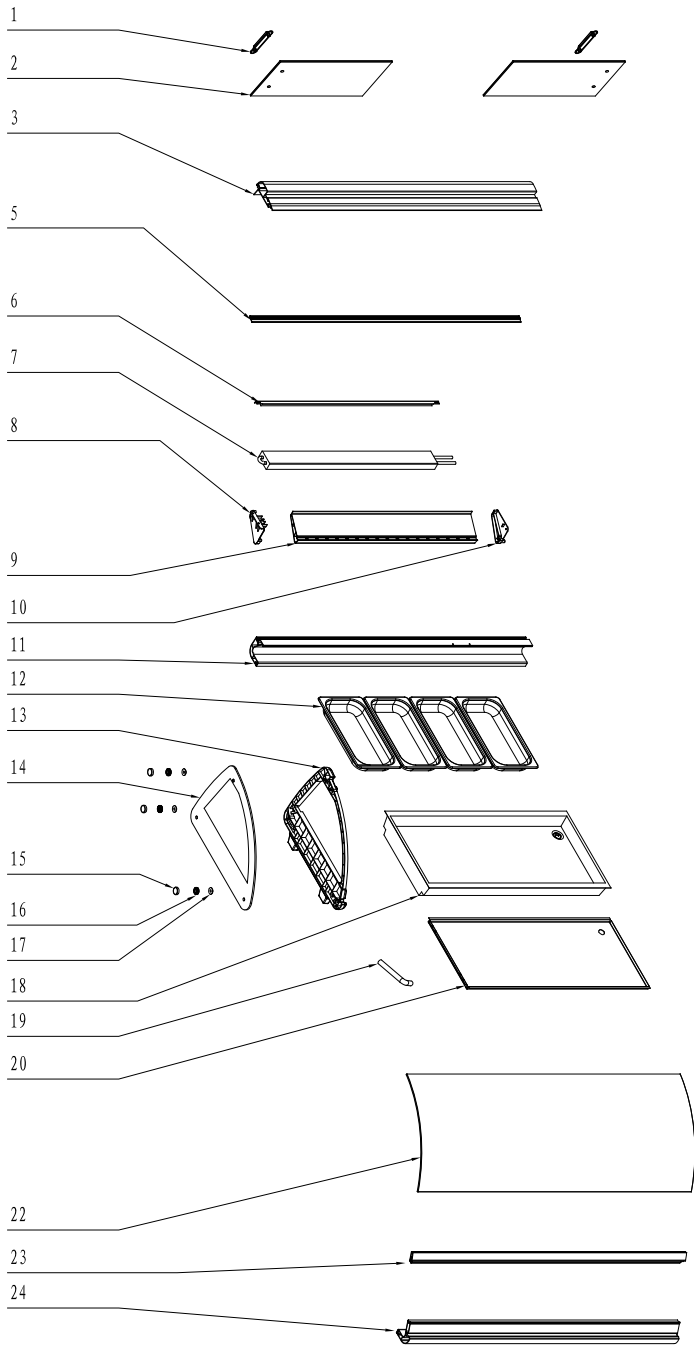
Unsatisfactory refrigeration.	Is it in direct sunlight or near a heat source?	Move away from the heat source.
	Is the surrounding area bad for ventilation?	Move to an area with improved ventilation.
	Does the door close correctly? Is the door left open?	Check the door.
	Is the unit too full?	Remove some food.
	Is the temperature controller correct?	Check the controller.
Too much noise.	The fridge is not sitting level.	Move to a flat surface.
	The fridge is vibrating off something else.	Move the unit so it is not touching anything.
	There is a loose part in the refrigerator.	Check the interior for loose items.
Contact Omcan at 1-800-465-0234 for help if simple troubleshooting does not solve the problems.		

The following situations are not problems:

1. The murmur of water is heard when the refrigerator is working. This is normal as the coolant is circulating in the system.
2. Condensation may be found on the outside of the refrigerator. This is not a problem, this is caused by high humidity. Simply use a cloth to wipe it.

Parts Breakdown

Model RS-CN-0043-SC 43223



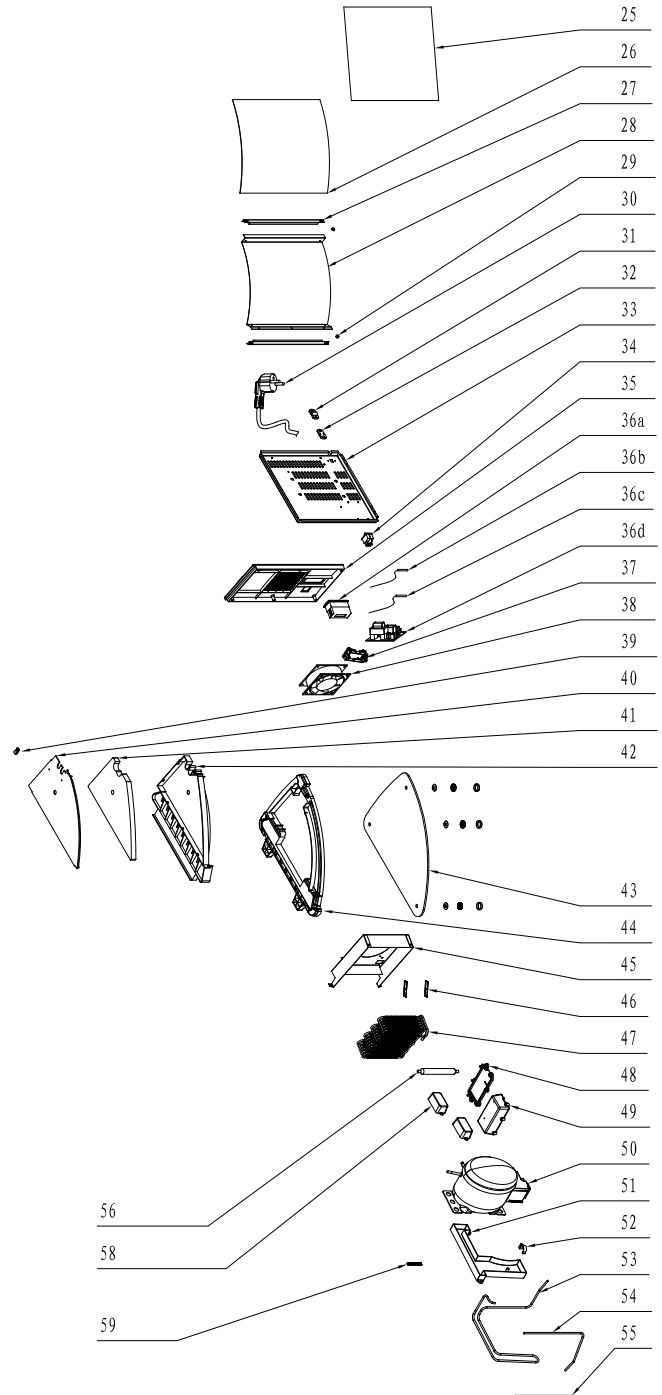
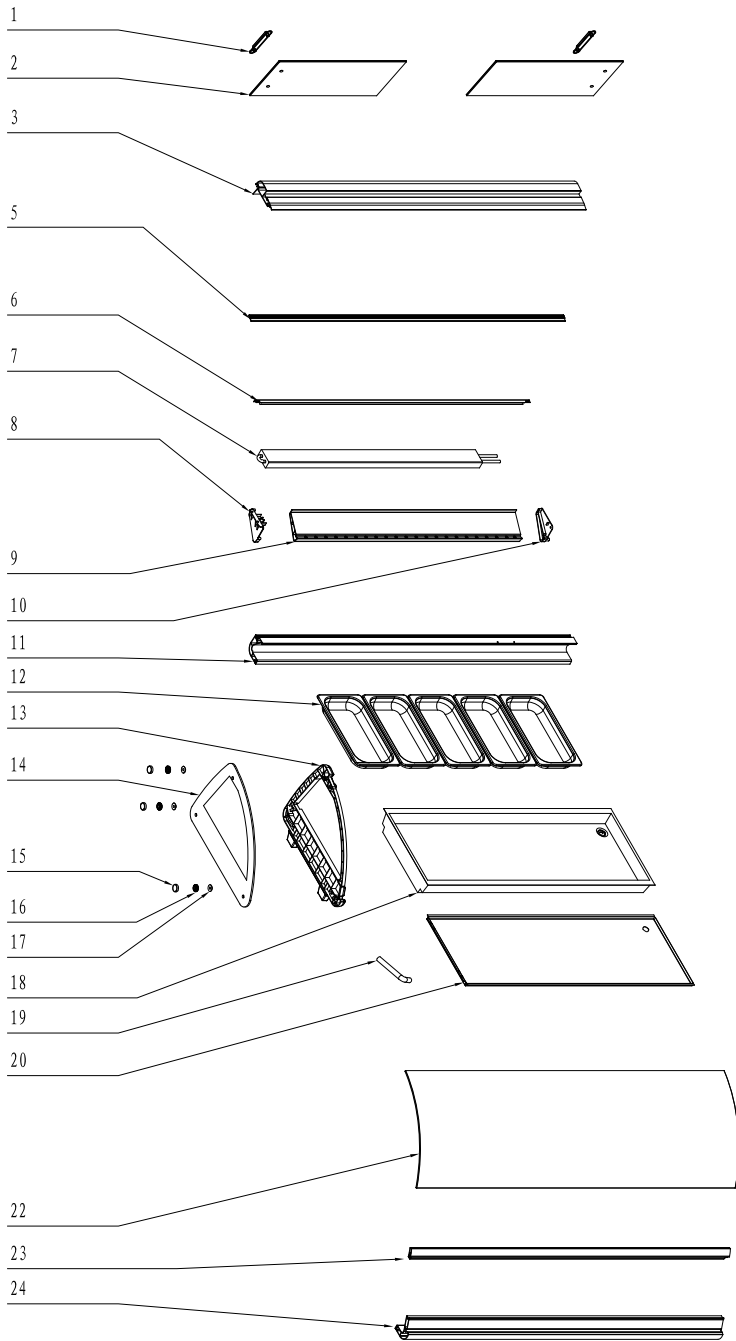
Parts Breakdown

Model RS-CN-0043-SC 43223

Item No.	Description	Position	Item No.	Description	Position	Item No.	Description	Position
60088	Handle for 43223	1	60107	Front Glass for 43223	22	60129	Middle Separator Foam for 43223	41
60089	Door Glass for 43223	2	60108	Lower Strip for Curved Glass for 43223	23	60130	Middle Separator for 43223	42
60090	Upper Pillar for 43223	3	60109	Front Pillar for 43223	24	60131	Right Glass for 43223	43
60091	Damping Strip for Curved Glass for 43223	5	60110	Advertising Paper for 43223	25	60132	Right Plastic Panel for 43223	44
60092	LED Light for 43223	6	60111	PP Board for 43223	26	60133	Guard Plate of Condenser for 43223	45
60093	Top Evaporator for 43223	7	60112	LED Light for 43223	27	60134	Square Gasket for 43223	46
60094	Left Fixer for Upper Water Receiver for 43223	8	60113	Cover of Compressor for 43223	28	60135	Condenser for 43223	47
60095	Pillar for Upper Water Receiver for 43223	9	60114	5mm Protective Ring for 43223	29	60136	Controller Panel for 43223	48
60096	Right Fixer for Upper Water Receiver for 43223	10	60115	Power Cord for 43223	30	60137	Controller Box for 43223	49
60097	Rear Pillar for 43223	11	61245	Wire Clip Cover for 43223	31	60138	Compressor for 43223	50
60098	1/3 GN Pan for 43223	12	61246	Wire Clip Holder for 43223	32	60139	Water Receiver for 43223	51
60099	Left Plastic Panel for 43223	13	60118	Bottom Panel of Compressor for 43223	33	60140	Hook for Insulation Pipe for 43223	52
60100	Left Glass for 43223	14	60119	Switch for 43223	34	60141	Joint Pipe-1 for 43223	53
60101	Decorating Gasket of Nut for 43223	15	60120	Rear Cover for 43223	35	60142	Joint Pipe-11 for 43223	54
60102	Nut Decorating Parts for 43223	16	60121	Complete Temperature Display for 43223	36A-D	60143	Filling Pipe for 43223	55
60103	Big Gasket of Nut for 43223	17	60125	Digital Controller Holder for 43223	37	60144	Dry Filter for 43223	56
60104	Foam Material for 43223	18	60126	Fan Motor for 43223	38	60145	#6 Driver for 43223	58
60105	Water Discharge Pipe for 43223	19	60127	Plastic Cable Clip for 43223	39	60146	Spring for 43223	59
60106	Bottom Panel for 43223	20	60128	Cover of Middle Separator for 43223	40			

Parts Breakdown

Model RS-CN-0062-SC 43224



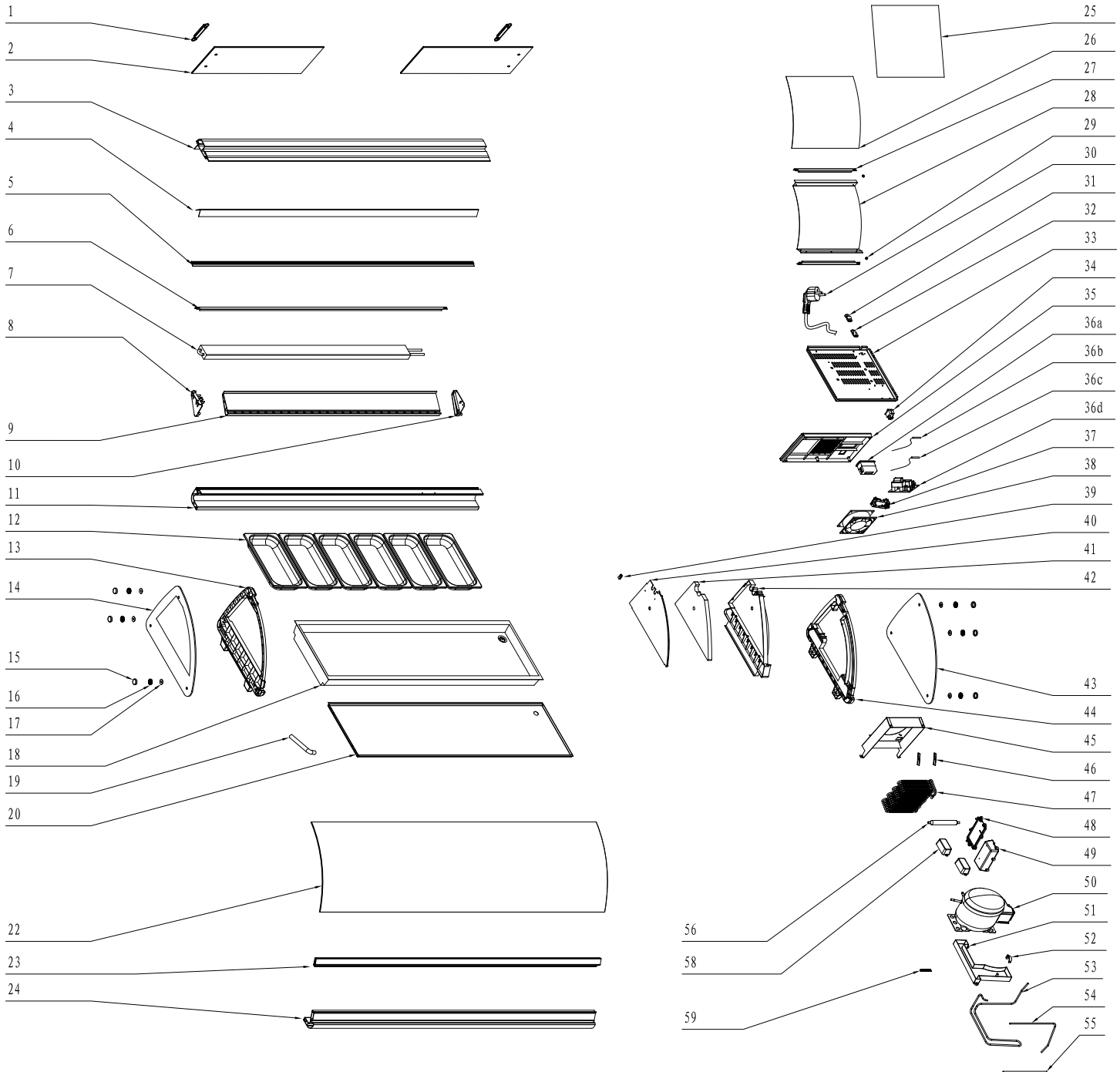
Parts Breakdown

Model RS-CN-0062-SC 43224

Item No.	Description	Position	Item No.	Description	Position	Item No.	Description	Position
60088	Handle for 43224	1	60155	Front Glass for 43224	22	60129	Middle Separator Foam for 43224	41
60147	Door Glass for 43224	2	60156	Lower Strip for Curved Glass for 43224	23	60130	Middle Separator for 43224	42
60148	Upper Pillar for 43224	3	60157	Front Pillar for 43224	24	60131	Right Glass for 43224	43
60149	Damping Strip for Curved Glass for 43224	5	60110	Advertising Paper for 43224	25	60132	Right Plastic Panel for 43224	44
60092	LED Light for 43224	6	60111	PP Board for 43224	26	60133	Guard Plate of Condenser for 43224	45
67379	Top Evaporator for 43224	7	60112	LED Light for 43224	27	60134	Square Gasket for 43224	46
60094	Left Fixer for Upper Water Receiver for 43224	8	60113	Cover of Compressor for 43224	28	60135	Condenser for 43224	47
60151	Pillar for Upper Water Receiver for 43224	9	60114	5mm Protective Ring for 43224	29	60136	Controller Panel for 43224	48
60096	Right Fixer for Upper Water Receiver for 43224	10	60115	Power Cord for 43224	30	60137	Controller Box for 43224	49
60152	Rear Pillar for 43224	11	61245	Wire Clip Cover for 43224	31	60138	Compressor for 43224	50
60098	1/3 GN Pan for 43224	12	61246	Wire Clip Holder for 43224	32	60139	Water Receiver for 43224	51
60099	Left Plastic Panel for 43224	13	60118	Bottom Panel of Compressor for 43224	33	60140	Hook for Insulation Pipe for 43224	52
60100	Left Glass for 43224	14	60119	Switch for 43224	34	60141	Joint Pipe-1 for 43224	53
60101	Decorating Gasket of Nut for 43224	15	60120	Rear Cover for 43224	35	60142	Joint Pipe-11 for 43224	54
60102	Nut Decorating Parts for 43224	16	60121	Complete Temperature Display for 43224	36A-D	60143	Filling Pipe for 43224	55
60103	Big Gasket of Nut for 43224	17	60125	Digital Controller Holder for 43224	37	60144	Dry Filter for 43224	56
60153	Foam Material for 43224	18	60126	Fan Motor for 43224	38	60145	#6 Driver for 43224	58
60105	Water Discharge Pipe for 43224	19	60127	Plastic Cable Clip for 43224	39	60146	Spring for 43224	59
60154	Bottom Panel for 43224	20	60128	Cover of Middle Separator for 43224	40			

Parts Breakdown

Model RS-CN-0083-SC 43225



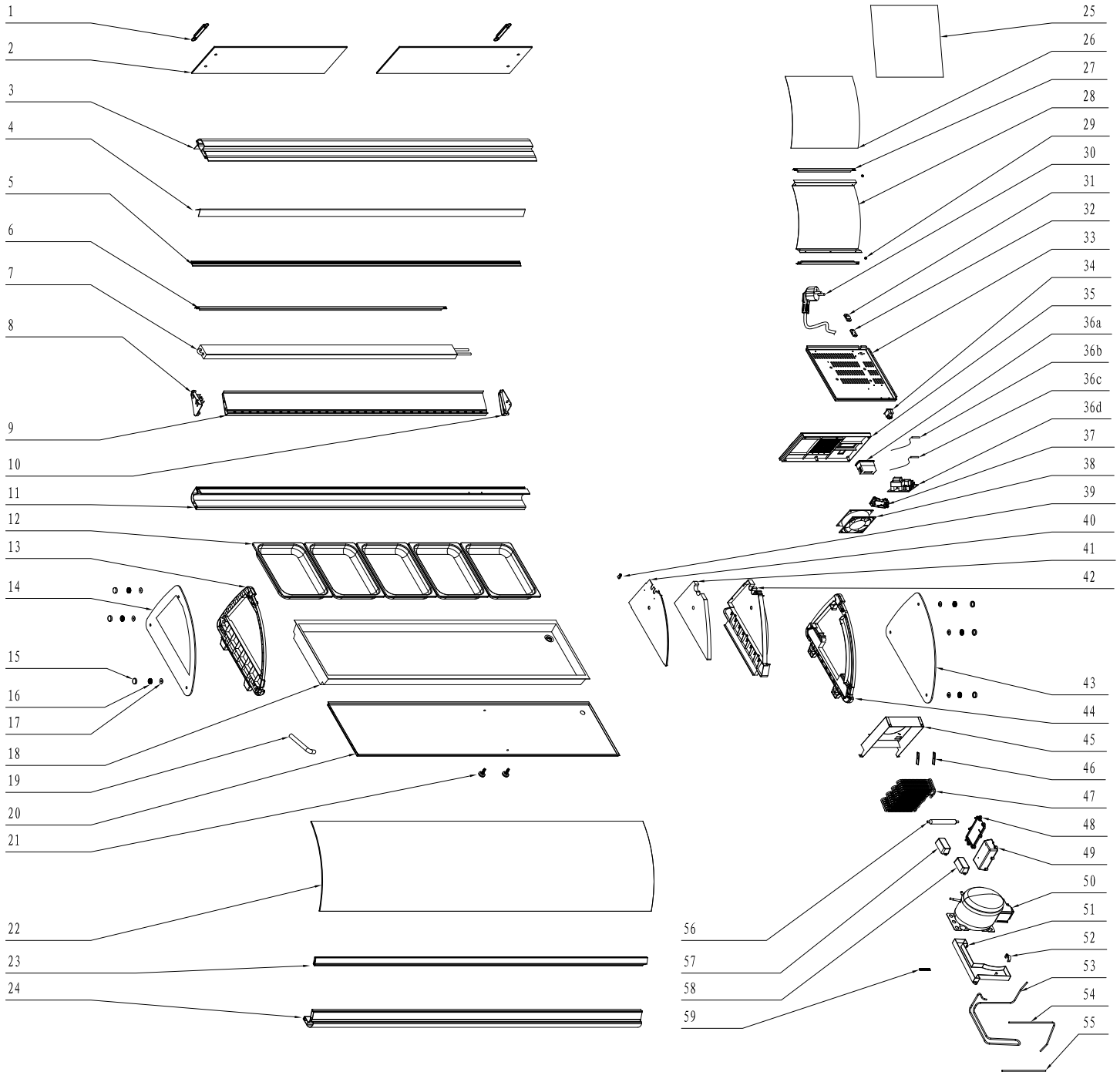
Parts Breakdown

Model RS-CN-0083-SC 43225

Item No.	Description	Position	Item No.	Description	Position	Item No.	Description	Position
60088	Handle for 43225	1	60167	Bottom Panel for 43225	20	60128	Cover of Middle Separator for 43225	40
60158	Door Glass for 43225	2	60168	Front Glass for 43225	22	60129	Middle Separator Foam for 43225	41
60159	Upper Pillar for 43225	3	60169	Lower Strip for Curved Glass for 43225	23	60130	Middle Separator for 43225	42
60160	Supporting Plate of Upper Pillar for 43225	4	60170	Front Pillar for 43225	24	60131	Right Glass for 43225	43
60161	Damping Strip for Curved Glass for 43225	5	60110	Advertising Paper for 43225	25	60132	Right Plastic Panel for 43225	44
60162	LED Light for 43225	6	60111	PP Board for 43225	26	60133	Guard Plate of Condenser for 43225	45
60163	Top Evaporator for 43225	7	60112	LED Light for 43225	27	60134	Square Gasket for 43225	46
60094	Left Fixer for Upper Water Receiver for 43225	8	60113	Cover of Compressor for 43225	28	60135	Condenser for 43225	47
60164	Pillar for Upper Water Receiver for 43225	9	60114	5mm Protective Ring for 43225	29	60136	Controller Panel for 43225	48
60096	Right Fixer for Upper Water Receiver for 43225	10	60115	Power Cord for 43225	30	60137	Controller Box for 43225	49
60165	Rear Pillar for 43225	11	61245	Wire Clip Cover for 43225	31	60138	Compressor for 43225	50
60098	1/3 GN Pan for 43225	12	61246	Wire Clip Holder for 43225	32	60139	Water Receiver for 43225	51
60099	Left Plastic Panel for 43225	13	60118	Bottom Panel of Compressor for 43225	33	60140	Hook for Insulation Pipe for 43225	52
60100	Left Glass for 43225	14	60119	Switch for 43225	34	60141	Joint Pipe-1 for 43225	53
60101	Decorating Gasket of Nut for 43225	15	60120	Rear Cover for 43225	35	60142	Joint Pipe-11 for 43225	54
60102	Nut Decorating Parts for 43225	16	60121	Complete Temperature Display for 43225	36A-D	60143	Filling Pipe for 43225	55
60103	Big Gasket of Nut for 43225	17	60125	Digital Controller Holder for 43225	37	60144	Dry Filter for 43225	56
60166	Foam Material for 43225	18	60126	Fan Motor for 43225	38	60145	#6 Driver for 43225	58
60105	Water Discharge Pipe for 43225	19	60127	Plastic Cable Clip for 43225	39	60146	Spring for 43225	59

Parts Breakdown

Model RS-CN-0103-SC 43116



Parts Breakdown

Model RS-CN-0103-SC 43116

Item No.	Description	Position	Item No.	Description	Position	Item No.	Description	Position
60088	Handle for 43116	1	60181	Adjustable Feet for 43116	21	60129	Middle Separator Foam for 43116	41
60171	Door Glass for 43116	2	60182	Front Glass for 43116	22	60130	Middle Separator for 43116	42
60172	Upper Pillar for 43116	3	60183	Lower Strip for Curved Glass for 43116	23	60131	Right Glass for 43116	43
60160	Supporting Plate of Upper Pillar for 43116	4	60184	Front Pillar for 43116	24	60132	Right Plastic Panel for 43116	44
60173	Damping Strip for Curved Glass for 43116	5	60110	Advertising Paper for 43116	25	60133	Guard Plate of Condenser for 43116	45
60174	LED Light for 43116	6	60111	PP Board for 43116	26	60134	Square Gasket for 43116	46
60175	Top Evaporator for 43116	7	60112	LED Light for 43116	27	60135	Condenser for 43116	47
60094	Left Fixer for Upper Water Receiver for 43116	8	60113	Cover of Compressor for 43116	28	60136	Controller Panel for 43116	48
60176	Pillar for Upper Water Receiver for 43116	9	60114	5mm Protective Ring for 43116	29	60137	Controller Box for 43116	49
60096	Right Fixer for Upper Water Receiver for 43116	10	60115	Power Cord for 43116	30	60138	Compressor for 43116	50
60177	Rear Pillar for 43116	11	61245	Wire Clip Cover for 43116	31	60139	Water Receiver for 43116	51
60178	1/2 GN Pan for 43116	12	61246	Wire Clip Holder for 43116	32	60140	Hook for Insulation Pipe for 43116	52
60099	Left Plastic Panel for 43116	13	60118	Bottom Panel of Compressor for 43116	33	60141	Joint Pipe-1 for 43116	53
60100	Left Glass for 43116	14	60119	Switch for 43116	34	60142	Joint Pipe-11 for 43116	54
60101	Decorating Gasket of Nut for 43116	15	60120	Rear Cover for 43116	35	60143	Filling Pipe for 43116	55
60102	Nut Decorating Parts for 43116	16	60121	Complete Temperature Display for 43116	36A-D	60144	Dry Filter for 43116	56
60103	Big Gasket of Nut for 43116	17	60125	Digital Controller Holder for 43116	37	60145	#6 Driver for 43116	58
60179	Foam Material for 43116	18	60126	Fan Motor for 43116	38	60146	Spring for 43116	59
60105	Water Discharge Pipe for 43116	19	60127	Plastic Cable Clip for 43116	39			
60180	Bottom Panel for 43116	20	60128	Cover of Middle Separator for 43116	40			

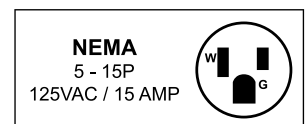
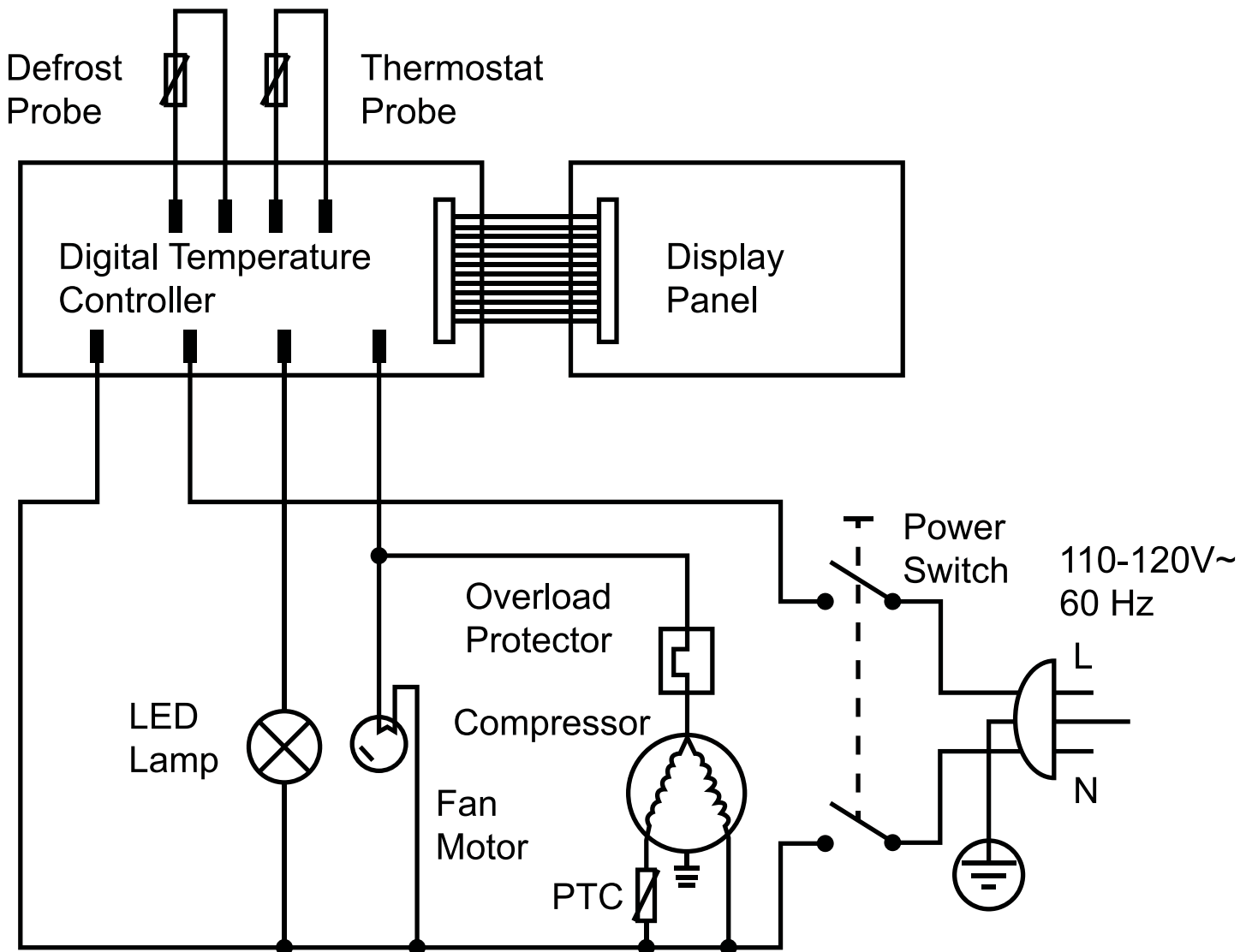
Electrical Schematics

Model RS-CN-0043-SC 43223

Model RS-CN-0062-SC 43224

Model RS-CN-0083-SC 43225

Model RS-CN-0103-SC 43116





Warranty Registration

Thank you for purchasing an Omcan product. To register your warranty for this product, complete the information below, tear off the card at the perforation and then send to the address specified below. You can also register online by visiting:

Merci d'avoir acheté un produit Omcan. Pour enregistrer votre garantie pour ce produit, complétez les informations ci-dessous, détachez la carte au niveau de la perforation, puis l'envoyer à l'adresse spécifiée ci-dessous. Vous pouvez également vous inscrire en ligne en visitant:

Gracias por comprar un producto Omcan usted. Para registrar su garantía para este producto, complete la información a continuación, cortar la tarjeta en la perforación y luego enviarlo a la dirección indicada a continuación. También puede registrarse en línea en:

<https://omcan.com/warranty-registration/>

For mailing in Canada

Pour postale au Canada

Por correo en Canadá

OMCAN

PRODUCT WARRANTY REGISTRATION

3115 Pepper Mill Court,

Mississauga, Ontario

Canada, L5L 4X5

For mailing in the US

Pour diffusion aux États-Unis

Por correo en los EE.UU.

OMCAN

PRODUCT WARRANTY REGISTRATION

4450 Witmer Industrial Estates, Unit 4,

Niagara Falls, New York

USA, 14305

or email to: service@omcan.com



Purchaser's Information

Name: _____

Address: _____

City: _____ Province or State: _____ Postal or Zip: _____

Country: _____

Dealer from which Purchased: _____

Dealer City: _____ Dealer Province or State: _____

Invoice: _____

Model Name: _____ Model Number: _____

Machine Description: _____

Date of Purchase (MM/DD/YYYY): _____

Would you like to extend the warranty? Yes No

Company Name: _____

Telephone: _____

Email Address: _____

Type of Company:

Restaurant Bakery Deli

Butcher Supermarket Caterer

Institution (*specify*): _____

Other (*specify*): _____

Serial Number: _____

Date of Installation (MM/DD/YYYY): _____

Thank you for choosing Omcan | Merci d'avoir choisi Omcan | Gracias por elegir Omcan



Since 1951 Omcan has grown to become a leading distributor of equipment and supplies to the North American food service industry. Our success over these many years can be attributed to our commitment to strengthen and develop new and existing relationships with our valued customers and manufacturers. Today with partners in North America, Europe, Asia and South America, we continually work to improve and grow the company. We strive to offer customers exceptional value through our qualified local sales and service representatives who provide convenient access to over 6,500 globally sourced products.

Depuis 1951 Omcan a grandi pour devenir un des “leaders” de la distribution des équipements et matériel pour l’industrie des services alimentaires en Amérique du Nord. Notre succès au cours de ces nombreuses années peut être attribué à notre engagement à renforcer et à développer de nouvelles et existantes relations avec nos clients et les fabricants de valeur. Aujourd’hui avec des partenaires en Amérique du Nord, Europe, Asie et Amérique du Sud, nous travaillons continuellement à améliorer et développer l’entreprise. Nous nous efforçons d’offrir à nos clients une valeur exceptionnelle grâce à nos ventes locales qualifiées et des représentants de service qui offrent un accès facile à plus de 6500 produits provenant du monde entier.

Desde 1951 Omcan ha crecido hasta convertirse en un líder en la distribución de equipos y suministros de alimentos en América del Norte industria de servicios. Nuestro éxito en estos años se puede atribuir a nuestro compromiso de fortalecer y desarrollar nuevas relaciones existentes con nuestros valiosos clientes y fabricantes. Hoy con socios de América del Norte, Europa, Asia y América del Sur, que trabajan continuamente para mejorar y crecer la empresa. Nos esforzamos por ofrecer a nuestros clientes valor excepcional a través de nuestro local de ventas y representantes de los servicios que proporcionan un fácil acceso a más de 6,500 productos con origen a nivel mundial.

