



# FOOD EQUIPMENT

SERVING THE FOOD INDUSTRY SINCE 1951

## 10" x 11" RIBBED PANINI GRILL WITH TIMER

Item: 42910

Model: PG-CN-0515-RT



Authorized Dealer



**WARRANTY**  
PARTS AND LABOR



# FOOD EQUIPMENT

## 10"x11" RIBBED PANINI GRILL WITH TIMER



Thermostat Control



Removable Drip Tray



Removabe Timer (2 AAA Batteries required)



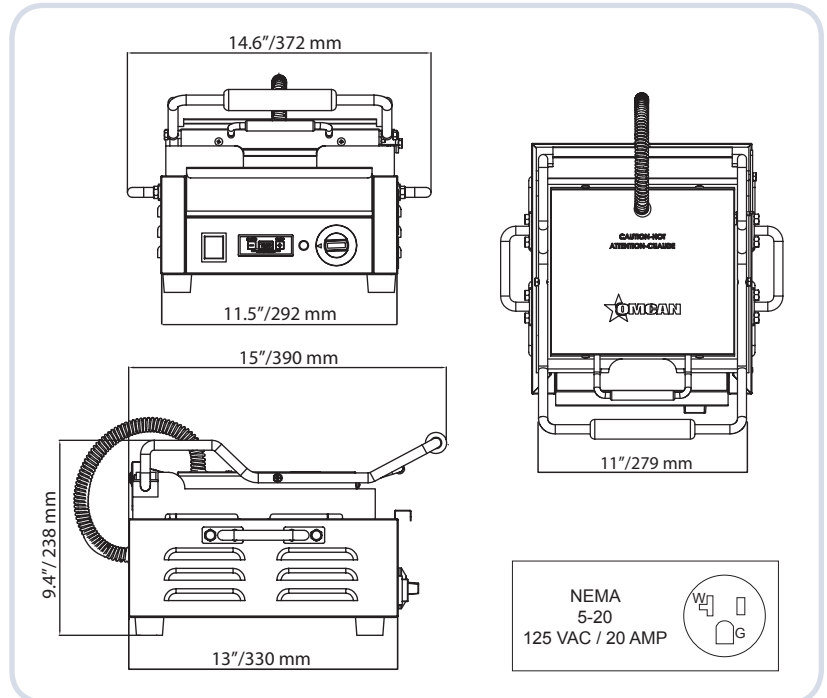
Rubbed Top & Bottom Grill Plates



Heavy Duty Grill Brush

### Features

- Ideal for sandwiches, burgers, quesadillas, panini, focaccia, breakfast sandwiches and pita sandwiches
- Constructed with a stainless steel body and heavy-duty cast iron grill which ensures easy cleaning
- Equipped with timer to maximize work efficiency
- Easy to remove drip tray
- Heat-resistant handles for safe operations



### TECHNICAL SPECIFICATION

ITEM NUMBER	42910
MODEL	PG-CN-0515-RT
GRILL SURFACE	10" x 11"/ 254 x 279.4 mm
THERMOSTAT CONTROL	60-300 °C/ 140-570 °F
WATTS	1800
ELECTRIC	120V/60Hz/1
TOP GRILL	Ribbed
BOTTOM GRILL	Ribbed
WEIGHT	45 lbs.
DIMENSIONS (WDH)	14.6" x 15" x 9.4"(Close), 22.5"(Open)/ 372 x 390 x 238 mm (Close), 571.5mm(Open)
GROSS DIMENSIONS	15.5" x 20" x 13"/ 393.7 x 508 x 330 mm

## OMCAN INC.

Telephone: 1-800-465-0234  
 Fax: (905) 607-0234  
 Email: sales@omcan.com  
 Website: www.omcan.com



Follow us to keep up to date with the latest news and offers

