



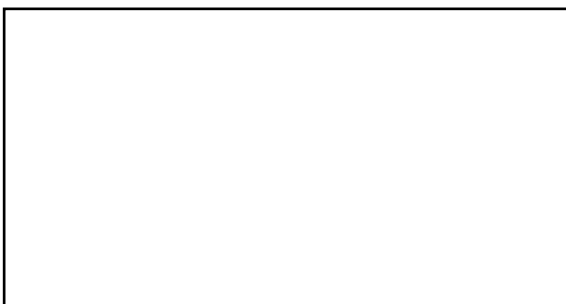
FOOD EQUIPMENT

SERVING THE FOOD INDUSTRY SINCE 1951

10" x 11" SMOOTH PANINI GRILL WITH TIMER

Item: 42909

Model: PG-CN-0515-FT



Authorized Dealer



WARRANTY
PARTS AND LABOR

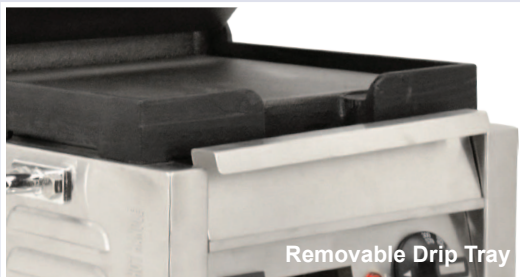


FOOD EQUIPMENT

10"x11" SMOOTH PANINI GRILL WITH TIMER



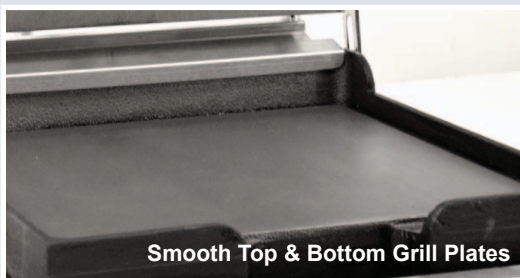
Thermostat Control



Removable Drip Tray



Removabe Timer (2 AAA Batteries required)



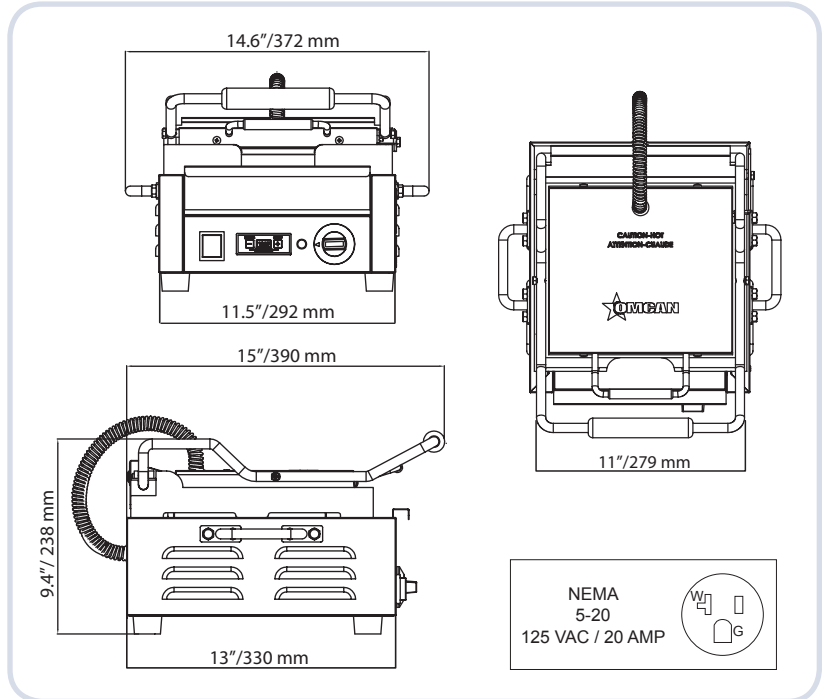
Smooth Top & Bottom Grill Plates



Heavy Duty Grill Brush

Features

- Ideal for sandwiches, burgers, quesadillas, panini, focaccia, breakfast sandwiches and pita sandwiches
- Constructed with a stainless steel body and heavy-duty cast iron grill which ensures easy cleaning
- Equipped with timer to maximize work efficiency
- Easy to remove drip tray
- Heat-resistant handles for safe operations



TECHNICAL SPECIFICATION

ITEM NUMBER	42909
MODEL	PG-CN-0515-FT
GRILL SURFACE	10" x 11" / 254 x 279.4 mm
THERMOSTAT CONTROL	60-300 °C / 140-570 °F
WATTS	1800
ELECTRIC	120V/60Hz/1
TOP GRILL	Smooth
BOTTOM GRILL	Smooth
WEIGHT	45 lbs.
DIMENSIONS (WDH)	14.6" x 15" x 9.4"(Close), 22.5"(Open) / 372 x 390 x 238 mm (Close), 571.5mm(Open)
GROSS DIMENSIONS	15.5" x 20" x 13" / 393.7 x 508 x 330 mm

OMCAN INC.

Telephone: 1-800-465-0234
 Fax: (905) 607-0234
 Email: sales@omcan.com
 Website: www.omcan.com



Follow us to keep up to date with the latest news and offers

