



COOKING EQUIPMENT

SERVING THE FOOD INDUSTRY SINCE 1951

COUNTERTOP DOUBLE TANK ELECTRIC PASTA COOKER

Item: 41883

Model: CE-CN-0008-P

- ⊕ Durable stainless steel construction
- ⊕ Front sliding door for water refill and waste outlet
- ⊕ Two 9L water tanks
- ⊕ Baskets included
- ⊕ Non-slip feet



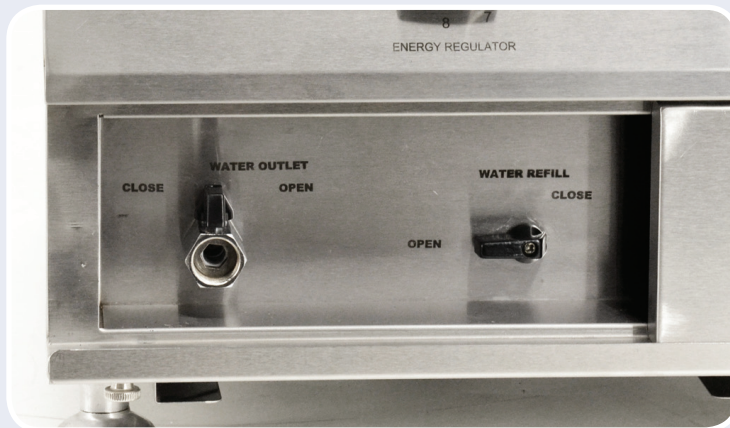
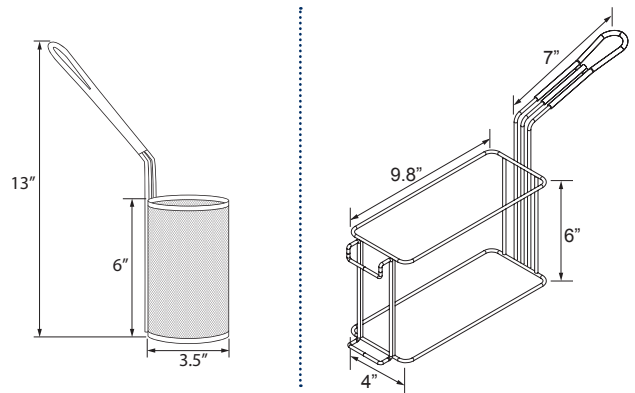
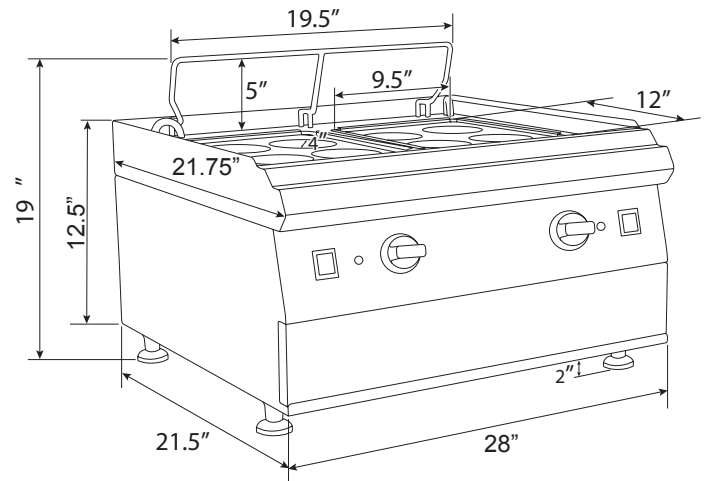
Authorized Dealer



WARRANTY
PARTS AND LABOR

COOKING EQUIPMENT

COUNTERTOP DOUBLE TANK ELECTRIC PASTA COOKER



NEMA
6 - 50P
250VAC / 50 AMP

TECHNICAL SPECIFICATIONS

ITEM NUMBER	41883
MODEL	CE-CN-0008-P
CAPACITY	9L (x2)
NUMBER OF BASKET	8 circular; 4 rectangular
MAX. TEMPERATURE	110°C/ 230°F
POWER	7200 watt
AMPERAGE	30A
ELECTRICAL	240v/60hz/1ph
NET DIMENSIONS	28" x 21.75" x 19" / 711 x 552.45 x 482.6 mm
GROSS DIMENSIONS	47" x 36" x 24" / 1193.8 x 914.4 x 609.6 mm
NET WEIGHT	30 kg/ 66 lbs.
GROSS WEIGHT	49.4 kg/ 109 lbs.

OMCAN INC.

Telephone: 1-800-465-0234
 Fax: (905) 607-0234
 Email: sales@omcan.com
 Website: www.omcan.com



Follow us to keep up to date with the latest news and offers

