

## BREAD GRATER

Item: 11411/ 23865

Model: GR-IT-0080/ GR-IT-0080-S

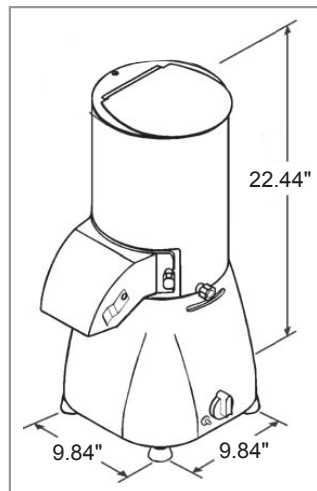


These Bread Grater machines are especially beneficial for restaurants and bakeries to make use of stale bread. They are very easy to operate and clean. A fan cooled motor provides continuous service.

### Detail images of Model GR-IT-0080



TECHNICAL SPECIFICATIONS		
ITEM NUMBER	11411	*23865
MODEL	GR-IT-0080	GR-IT-0080-S
HORSEPOWER	1.5 HP	
ELECTRICAL	110 V / 60 / 1	
WEIGHT	75-660 RPM	
GROSS WEIGHT	20 kg. / 44 lbs.	
DIMENSIONS (DWH)	9.84" x 9.84" x 22.44" / 25cm x 25cm x 57cm	
GROSS DIMENSIONS	25" x 14" x 22" / 63.5cm x 35.56cm x 55.88cm	



\* Comes with extra safety feature

### OMCAN INC.

Telephone: 1-800-465-0234  
 Fax: (905) 607-0234  
 E-mail: sales@omcan.com  
 Website: www.omcan.com



Follow us to keep up to date with the latest news and offers

