



SERVING THE FOOD INDUSTRY SINCE 1951

ELECTRIC TOMATO SQUEEZERS

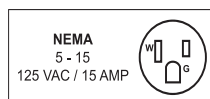
Item: 18901 Model: TS-IT-0110-S | Item: 18902 Model: TS-IT-0110-M | Item: 18903 Model: TS-IT-0110-L

SQUEEZE TOMATOES THE MOST EFFICIENT WAY

Omcan's electric tomato squeezers enable extraction of large quantities of tomato puree, separating it from seeds and skin.



WARRANTY
PARTS AND LABOR



Authorized Dealer

TECHNICAL SPECIFICATIONS

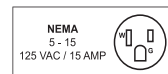
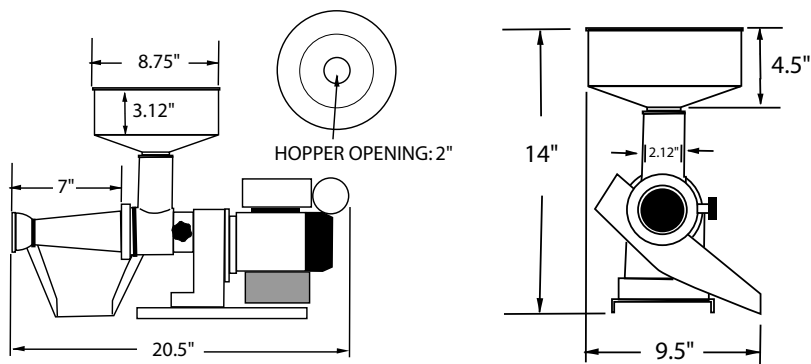
ITEM NUMBER	18901
MODEL	TS-IT-0110-S
DESCRIPTION	Electric
POWER	0.6 HP / 450 W
WORM RPM	110
ELECTRICAL	115V/60Hz/1Ph
WEIGHT	20 lbs. / 9 kg.
PACKAGING WEIGHT	21 lbs. / 10 kg.
DIMENSIONS (DWH)	20.5" x 9.5" x 14" / 521 x 241 x 356 mm
PACKAGING DIMENSIONS	16" x 9" x 11" / 406 x 229 x 279 mm



Features:

- 0.30 Horsepower
- Worm and body is resin with double hot tinning
- Filter cone, funnel, and drip pan are entirely made of 18/10 stainless steel

TECHNICAL DRAWING AND DIMENSIONS



OMCAN INC.

Telephone: 1-800-465-0234

Fax: (905) 607-0234

Email: sales@omcan.com

Website: www.omcan.com



60

Follow us to keep up to date with the latest news and offers



TECHNICAL SPECIFICATIONS

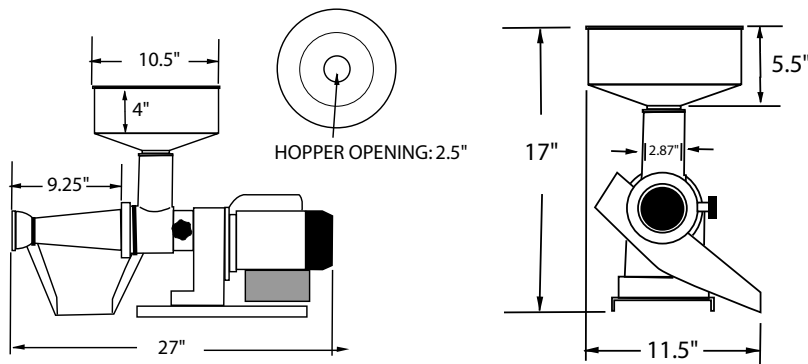
ITEM NUMBER	18902
MODEL	TS-IT-0110-M
DESCRIPTION	Electric
POWER	0.7 HP / 550W
WORM RPM	110
ELECTRICAL	115V/60Hz/1Ph
WEIGHT	31 lbs. / 14 kg.
PACKAGING WEIGHT	37 lbs. / 17 kg.
DIMENSIONS (DWH)	27" x 12" x 13" / 686 x 305 x 330 mm
PACKAGING DIMENSIONS	21" x 12" x 13" / 553 x 305 x 330 mm



Features:

- 0.40 Horsepower
- Worm and body is resin with double hot tinning
- Filter cone, funnel, and drip pan are entirely made of 18/10 stainless steel

TECHNICAL DRAWING AND DIMENSIONS



Optional Meat Grinder Attachment

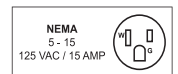
ITEM NUMBER	DESCRIPTION
20170	# 12 Meat Grinder Attachment



WARRANTY
PARTS AND LABOR



SHIPPED ON PALLET



OMCAN INC.

Telephone: 1-800-465-0234

Fax: (905) 607-0234

Email: sales@omcan.com

Website: www.omcan.com



60

Follow us to keep up to date with the latest news and offers



2015.E.O.E

TECHNICAL SPECIFICATIONS

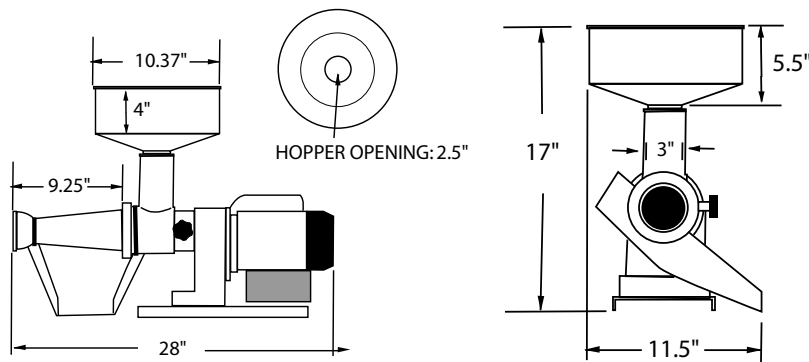
ITEM NUMBER	18903
MODEL	TS-IT-0110-L
DESCRIPTION	Electric
POWER	0.9 HP / 650W
WORM RPM	110
ELECTRICAL	115V/60Hz/1Ph
WEIGHT	40 lbs. / 18 kg.
PACKAGING WEIGHT	43 lbs. / 20 kg.
DIMENSIONS (DWH)	28" x 11.5" x 17" / 711 x 292 x 432
PACKAGING DIMENSIONS	21" x 12" x 13" / 533 x 305 x 330 mm



Features:

- 0.80 Horsepower
- Worm and body is resin with double hot tinning
- Filter cone, funnel, and drip pan are entirely made of 18/10 stainless steel

TECHNICAL DRAWING AND DIMENSIONS



Optional Meat Grinder Attachment

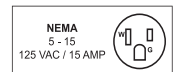
ITEM NUMBER	DESCRIPTION
20169	# 22 Meat Grinder Attachment



WARRANTY
PARTS AND LABOR



SHIPPED ON PALLET



OMCAN INC.

Telephone: 1-800-465-0234

Fax: (905) 607-0234

Email: sales@omcan.com

Website: www.omcan.com



60

Follow us to keep up to date with the latest news and offers

