



SERVING THE FOOD INDUSTRY SINCE 1951

MEDIUM-DUTY MEAT MIXER

ITEM: 13153 MODEL: MM-BR-0050



MIX MEATS AND ADDITIVES CONSISTENTLY

Ideal for small to medium applications. It has a stainless steel tank, mixing blades and cover, a cast iron structure, and steel body. It makes day-to-day production easier and cost effective.



WARRANTY
PARTS AND LABOR



NEMA
5 - 15
125 VAC / 15 AMP



Authorized Dealer

FOOD EQUIPMENT

MEDIUM DUTY MEAT MIXER | MM-BR-0050 | ITEM 13153



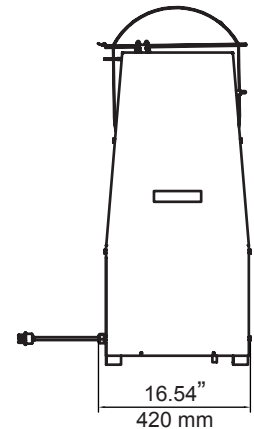
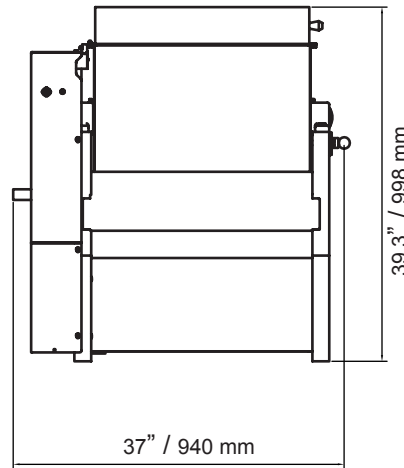
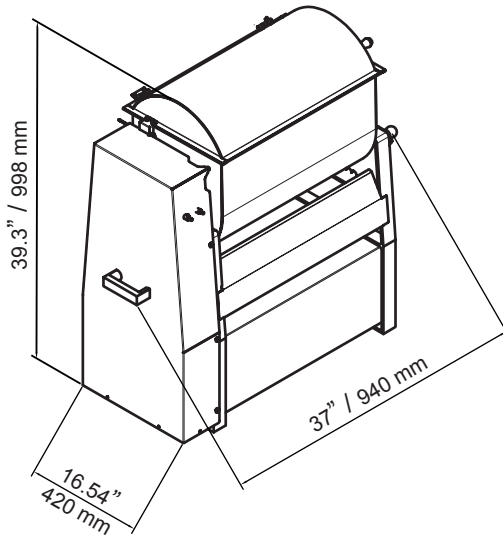
Stainless steel tilting bowl, shafts and blades

FEATURES

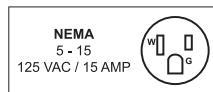
- Allows consistent mixing of meats and additives
- Transmission consists of a chain and a belt
- Tilting tank is mounted on self-adjustable ball bearings and is equipped with a tank lock
- Safety device does not permit the machine to operate when the cover is open

ITEM NUMBER	13153
MODEL	MM-BR-0050
POWER	0.5 HP / 0.37 kW
RPM	50
BOWL CAPACITY	50 kg. (110 lbs.)
ELECTRICAL	110V / 60Hz / 1Ph
WEIGHT	200 lbs. / 90.7 kg.
PACKAGING WEIGHT	250 lbs. / 113.3 kg.
DIMENSIONS	37" x 16.54" x 39.3" 940 x 420 x 998 mm
PACKAGING DIMENSIONS	41" x 20" x 43" 1041.4 x 508 x 1092.2 mm

TECHNICAL DRAWING AND DIMENSIONS



WARRANTY
PARTS AND LABOR



OMCAN INC.

Telephone: 1-800-465-0234
 Fax: (905) 607-0234
 Email: sales@omcan.com
 Website: www.omcan.com



Follow us to keep up to date with the latest news and offers

