



# FOOD EQUIPMENT

SERVING THE FOOD INDUSTRY SINCE 1951

## ELITE SERIES DOUBLE PANINI GRILL - RIBBED TOP AND BOTTOM

Item: 11378

Model: PG-IT-0737-R

Ideal for quesadillas, panini, foccacia, and pita sandwiches. These model have stainless steel bodies with cast iron grilling surfaces for easy cleaning.



Authorized Dealer



LIMITED WARRANTY  
PARTS AND LABOR



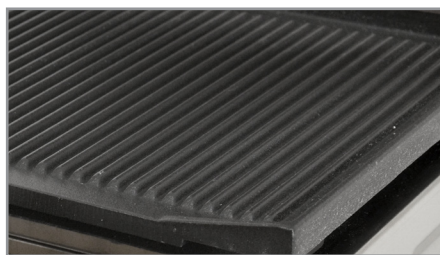
# FOOD EQUIPMENT

## ELITE SERIES DOUBLE PANINI GRILL - RIBBED TOP AND BOTTOM



### Main Component

- 1 Collecting Tray
- 2 Thermostat Control
- 3 Functioning Pilot Lamp
- 4 Non-slip Rubber Feet
- 5 Top & Bottom: Ribbed Grill Plate



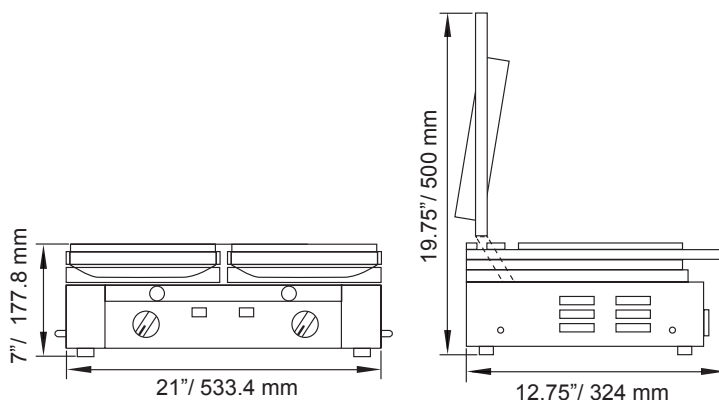
### Accessory



Panini Grill Cleaning Brush

### DOUBLE PANINI GRILL WITH RIBBED TOP & BOTTOM GRILL PLATES

#### TECHNICAL DRAWING WITH DIMENSIONS



#### TECHNICAL SPECIFICATION

ITEM NUMBER	11378
MODEL	PG-IT-0737-R
GRILL SURFACE	Top: 8.75" / 222.25 mm (x2), Bottom: 10" x 19" / 254 x 482.6 mm
AMPS	13
THERMOSTAT CONTROL	120 - 570 °F / 50 - 300 ° C
POWER	3 kW
ELECTRIC	220V/60Hz/1
TOP GRILL	Ribbed
BOTTOM GRILL	Ribbed
NET WEIGHT	56 lbs. / 25 kg.
GROSS WEIGHT	70 lbs. / 32.8 kg.
DIMENSIONS (WDH)	21" x 12.75" x 19.75"(Open) / 7"(Close) 533.4 x 324 x 500(Open) / 177.8(Close) mm



NEMA  
6-20  
250 VAC / 20 AMP



## OMCAN INC.

Telephone: 1-800-465-0234  
 Fax: (905) 607-0234  
 Email: sales@omcan.com  
 Website: www.omcan.com



Follow us to keep up to date with the latest news and offers



2015.E.O.E