

NOM-52-LSB

GRAB 'N GO

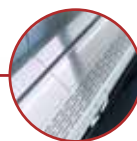
OPEN MERCHANDISERS

Ideal for restaurants, cafés, convenience stores and supermarkets



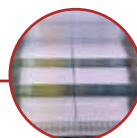
FEATURES

Pull-down night curtain



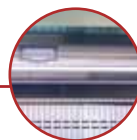
Tempered glass

4 staging shelves



Stainless-steel black-brushed exterior

Cool tone LED lighting



Front-facing condenser with easy-to-clean filter


Magnetized front panel for quick removal



Digital temperature control
w/ separate light switch



ADDITIONAL FEATURES

- ✓ Front to rear ventilation with back stoppers for better air circulation
- ✓ 4 heavy duty casters with 1 front leg 
- ✓ Anti-corrosion coated evaporator
- ✓ Inner cabinet insulated with high-density polyurethane foam
- ✓ Auto-defrost system
- ✓ Absorbent wicking pad to manage the excess water



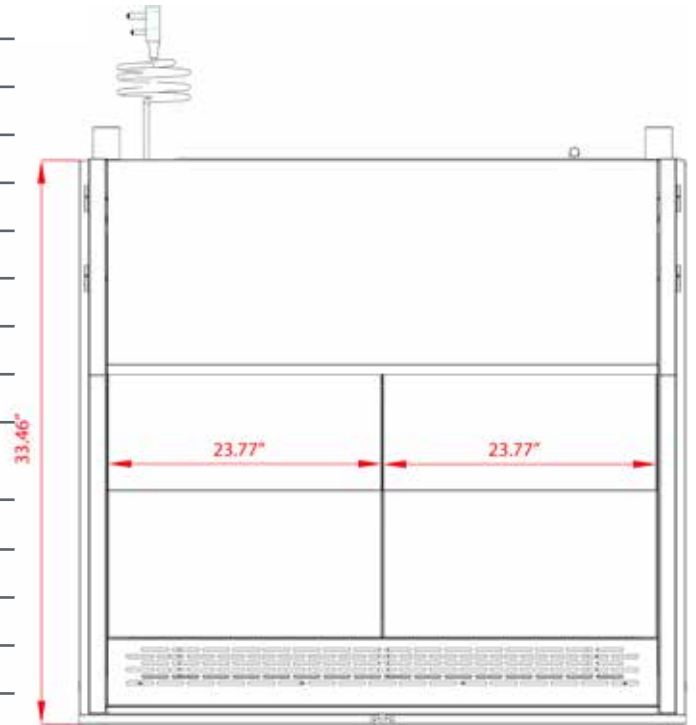
SPECIFICATIONS

Capacity (Cubic Feet)	7.59
Capacity (Litres)	215
Exterior Unit Dimensions (in)	51.2" (w) x 33.5" (d) x 41.3" (h)
Interior Dimensions (in)	49" (w) x 23" (d) x 16" (h)
Net / Gross Weight (lb)	363.76 / 476.19
Night Curtain	Yes
Swivel Casters	4
Front Support Leg	1
Adjustable Shelves	4
Shelf Dimensions	2 X 16" (w) x 15" (d) 2 X 16" (w) x 7.5" (d)
Shelf Capacity (lb)	80
Temperature	2-5°C
Ambient Temperature	<24°C
Ambient Humidity	55%
Refrigerant (CFC-Free)	R290
Input Power	977.5 W
Voltage	115V/60H/1PH
Amperage	8.5
Plug Type	5-15P

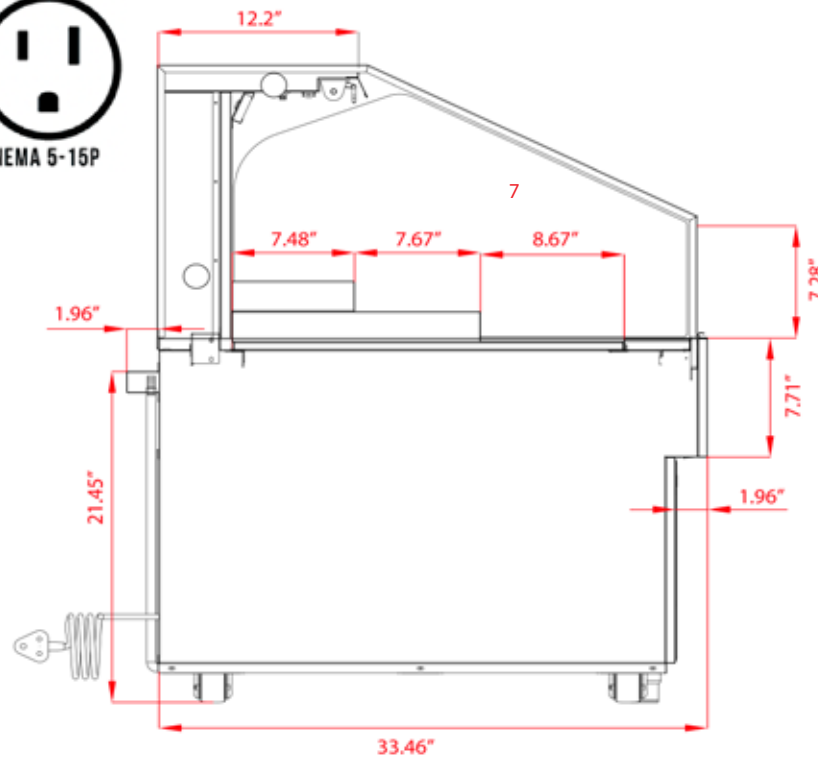
FRONT VIEW



TOP VIEW



SIDE & INTERIOR VIEW



CUSTOMER SUPPORT



We're on social media!
1.800.567.3620



www.newairrefrigeration.ca

MORE PRODUCTS!



Design and specifications can change without prior notice for product improvement