

NOM-40-HT

GRAB 'N GO HEATED OPEN MERCHANDISERS

Ideal for restaurants, cafés, convenience stores and supermarkets



FEATURES

Pull-down night curtain



Black-brushed stainless steel exterior

Temperature of each shelf is independently controlled



Price tag channels

Digital temperature control & light switches



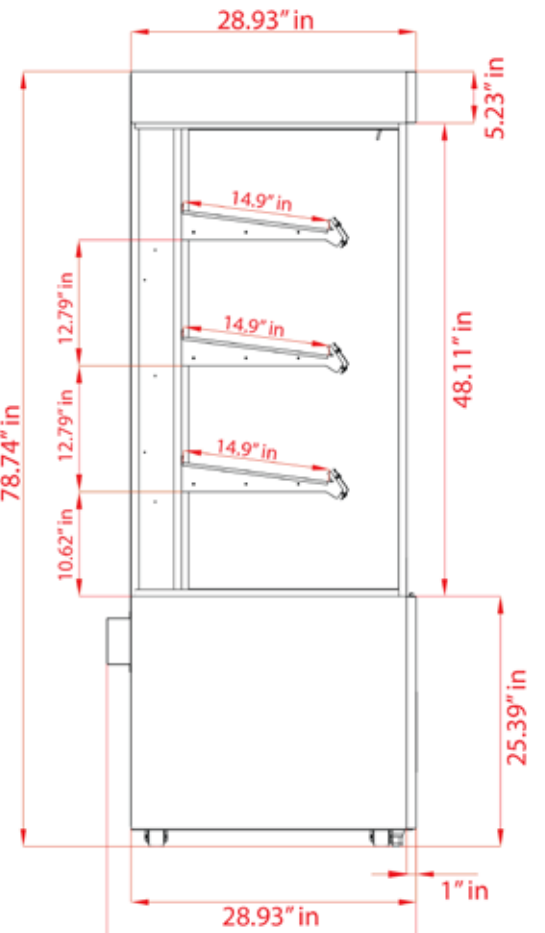
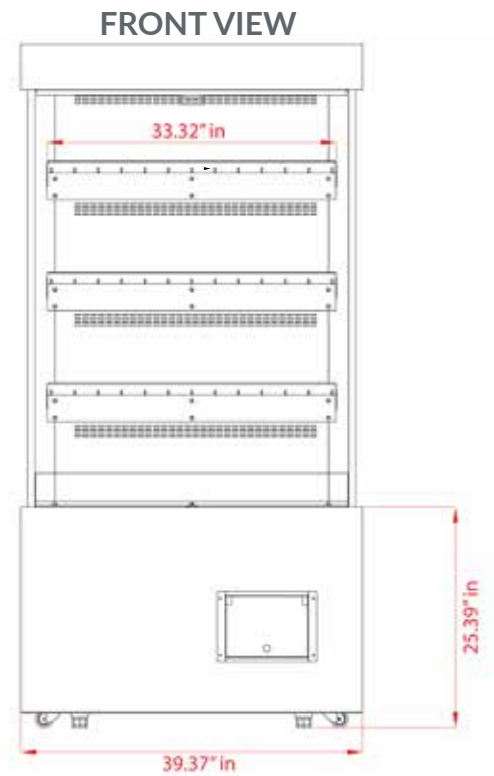
Warm LED lighting on the top of unit and under each shelf

4 heavy duty casters and 2 front legs

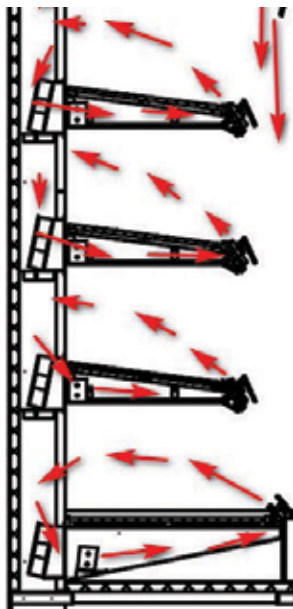


SPECIFICATIONS

Capacity (Cubic Feet)	13.7
Capacity (Litres)	388 L
Exterior Unit Dimensions (in)	39.4" (w) x 28.9" (d) x 78.7" (h)
Interior Dimensions (in)	36" (w) x 22.5" (d) x 49" (h)
Net/Gross Weight	425 lbs / 606 lbs
Night Curtain	Yes
Swivel Casters	4 casters
Front Support Legs	2
Shelves	3 + base
Shelf Dimensions	33.32" (w) x 14.9" (d) / per shelf + base 35.75" (w) x 18.5" (d)
Shelf Capacity (lb)	80
Temperature	65-71°C
Input Power	1966.5 - 2300 W
Voltage	208-240V/60Hz/1p
Amperage	17.1 - 20
Plug Type	Not supplied - designed for Nema 6-30p



SIDE & INTERIOR VIEW



AIR CIRCULATION:
Hot air circulates around each shelf surface keeping products warm. These units are designed to hold pre-cooked foods at 65°C to 71°C (149°F to 160°F)

CUSTOMER SUPPORT



We're on social media!
1.800.567.3620



www.newairrefrigeration.ca

MORE PRODUCTS!



Design and specifications can change without prior notice for product improvement